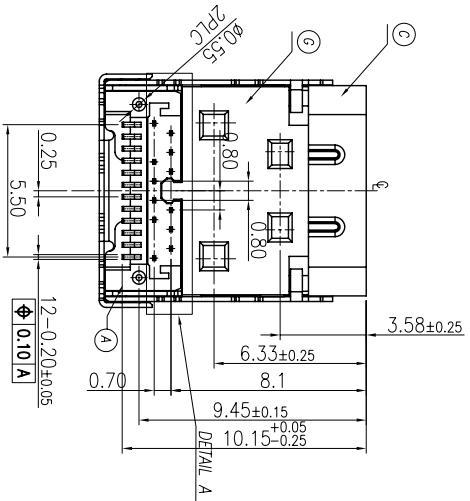


PIN ASSIGNMENTS:

PIN No.	SIGNAL NAME	PIN No.	SIGNAL NAME
A1	GND	B1	GND
A2	SSTXp1	B2	SSRXp1
A3	SSTXn1	B3	SSRXn1
A4	Vbus	B4	Vbus
A5	CC1/CC2	B5	CC1/CC2
A6	Dp1/Dp2	B6	Dp1/Dp2
A7	Dn1/Dn2	B7	Dn1/Dn2
A8	RFU1/RFU2	B8	RFU1/RFU2
A9	Vbus	B9	Vbus
A10	SSRXn2	B10	SSTXn2
A11	SSRXp2	B11	SSTXp2
A12	GND	B12	GND



REV.	ECN NO.	OR DESCRIPTION	REVISED	DATE
A	PDR NO:T151023-2A		Stone	2017/02/08
B	ECN NO:C170081, UPDATE PLATE DIM TO 6.30		Stone	2017/08/16
C	ECN NO:C170110 Add component orientation		Stone	2017/09/28

G	BLOCK	1	HIGH TEMP. THERMOPLASTIC	BLACK
F	GND RING	1	UL 94V-0	
E	GND PLATE	1	STAINLESS STEEL	
D	COVER	1	STAINLESS STEEL	NICKEL PLATING
C	SHELL	1	STAINLESS STEEL	NICKEL PLATING
B	TERMINAL	24	COPPER ALLOY	AU 30μ ON CONTACT AREA AND Sn 50μ Min. ON SOLDER AREA ALL OVER W/ 50μ Min. PLATING
A	HOUSING	1	HIGH TEMP. THERMOPLASTIC	BLACK

UNLESS OTHERWISE SPECIFIED TOLERANCES

DECIMALS: ANGLES:

X : ±0.5 X : ±.2°
 X.X : ±0.3 X.X : ±1°
 X.XX : ±0.2 X.XX : ±1°

Singatron Enterprise Co., Ltd.
 信登企業股份有限公司

USB Type-C Connector

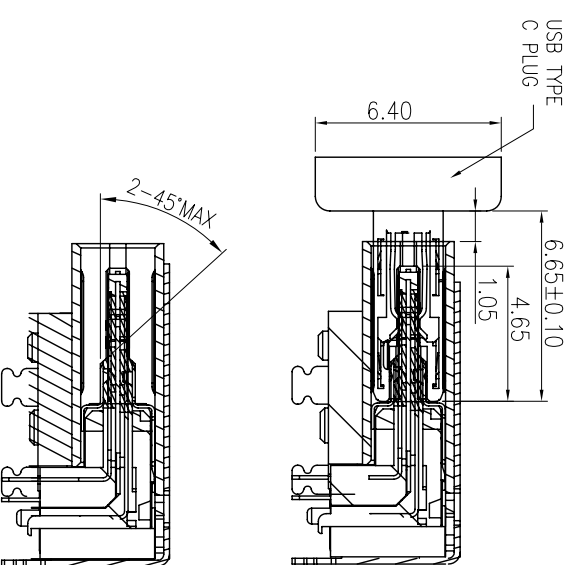
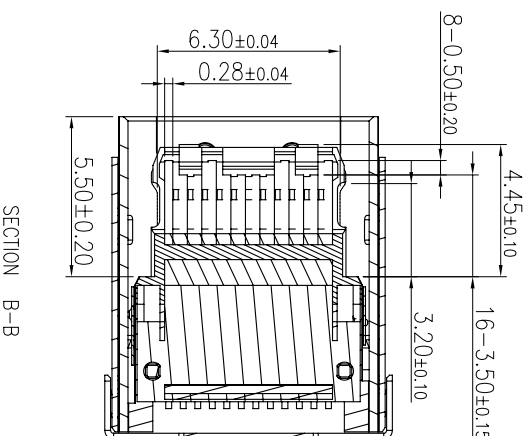
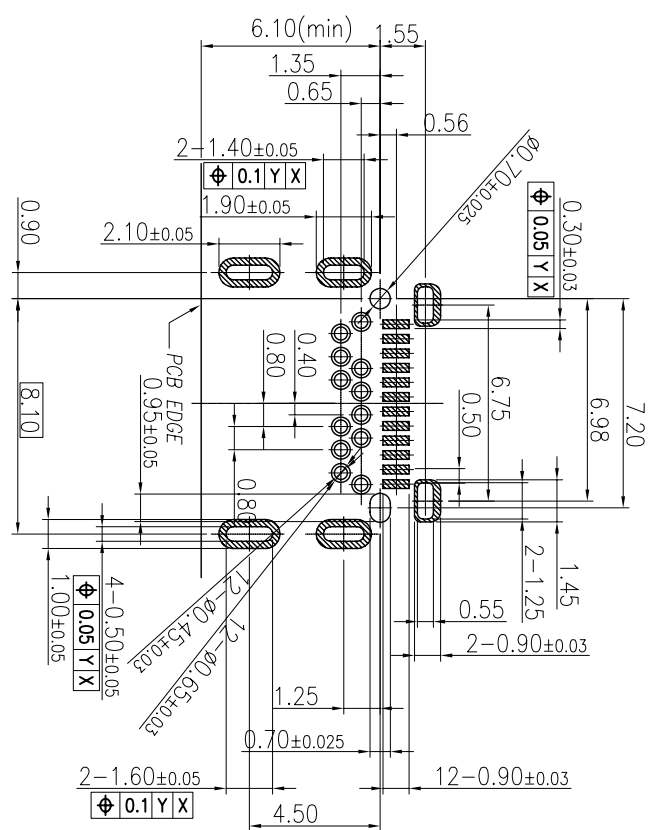
PART NO.: 2UB2C02-001111F

SCALE 1:1 UNIT: mm

SIZE: A3 SHEET: 1 OF 2 REV: C

CUSTOMER COPY

REV.	ECN NO.	OR DESCRIPTION	REVISED	DATE
A	PDR NO:17151023-24		Stone	2017/02/08
B	ECN NO:C170081		Stone	2017/08/16
C	UPDATE PLATE DIM TO 6.30 ECN NO:C170110		Stone	2017/09/28
	Add component orientation			



RECOMMENDED P.C.B. LAYOUT
TOP VIEW, TOLERANCE : ±0.05mm

1.ELECTRICAL CHARACTERISTICS:

- 1-1.I.L.C.R. :
- VBUS&GND PINS:40mΩ /PIN MAX.
 - OTHER PINS:40mΩ /PIN MAX.
 - LCR MAX. CHANGE OF ALL PINS:10mΩ.
- 1-2.CURRENT RATING:5.0A MAX.
- 1-3.VOLTAGE RATING:20.0V
- 1-4.INSULATION RESISTANCE:100mΩ MIN.
- 1-5.ENVIRONMENTAL PERFORMANCE:
OPERATING TEMPERATURE:-55℃~+85℃
- 2.MECHANICAL CHARACTERISTICS:
- 2-1.INSERTION FORCE:0.5~2.0kg.
 - 2-2.WITHDRAWAL FORCE:0.8~2.0kg(INITIAL VALUE)
0.6~2.0kg(AFTER LIFE TEST)
- 3.DURABILITY:10,000CYCLES
- 4.TO CONFORM TO THE SINGATRON HAZARDOUS SUBSTANCE FREE SPEC.
- 5.HALOGEN FREE PRODUCT IDENTIFICATION LABEL ON PACKAGING:
- 6.PACKAGE:SEE"2UB2C02-000111F"PACKAGE.
- 7.FOR REFLOW SOLDERING LEAD-FREE PROCESS
- 8.OTHER GENERAL SPEC.TO REFER"2UB2C02-000111F SPEC."



G	BLOCK	1	HIGH TEMP. THERMOPLASTIC UL 94V-0	BLACK
F	GND RING	1	STAINLESS STEEL	
E	GND PLATE	1	STAINLESS STEEL	
D	COVER	1	STAINLESS STEEL	NICKEL PLATING
C	SHELL	1	STAINLESS STEEL	NICKEL PLATING
B	TERMINAL	24	COPPER ALLOY	AU 3000N CONTACT AREA AND Sn 50u" Min. ON SOLDER AREA ALL OVER IN 50u" Min. PLATING
A	HOUSING	1	HIGH TEMP. THERMOPLASTIC UL 94V-0	BLACK
NO.	DESCRIPTION	QTY	MATERIAL	PLATING & COLOR
UNLESS OTHERWISE SPECIFIED TOLERANCES				
DECIMALS:		ANGLES:	TITLE	
X	:±0.5	X	:±2°	DWN
X,X	:±0.3	X,X	:±1°	CHKD
X,XX	:±0.2			APVD
SINGATRON ENTERPRISE CO., LTD. 信晉企業股份有限公司				
USB Type-C Connector				
PART NO.:		2UB2C02-001111F		
SCALE:		1:1		
UNIT:		mm		
SIZE:		A3		
SHEET:		2 OF 2 REV. C		
CUSTOMER COPY				