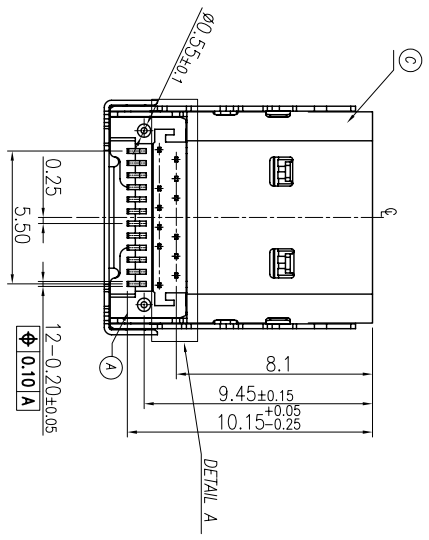
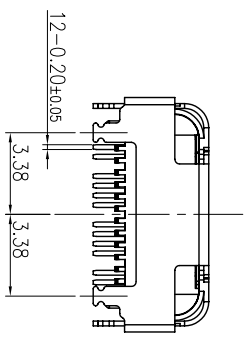
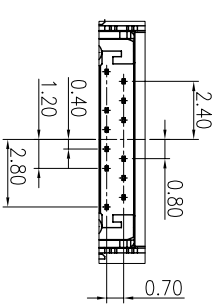
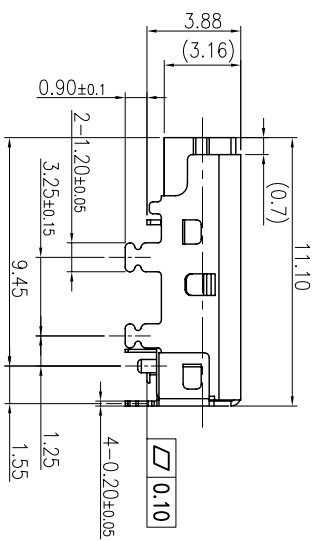
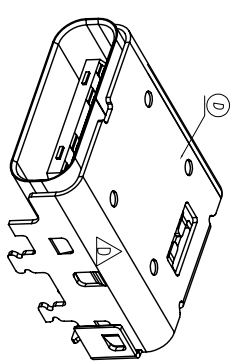
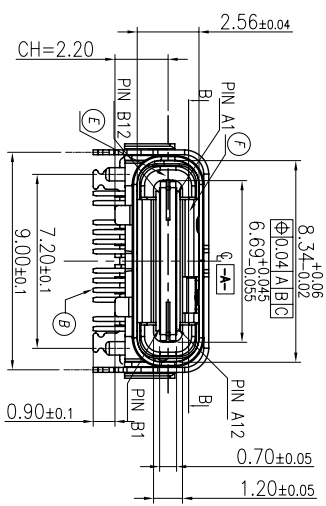
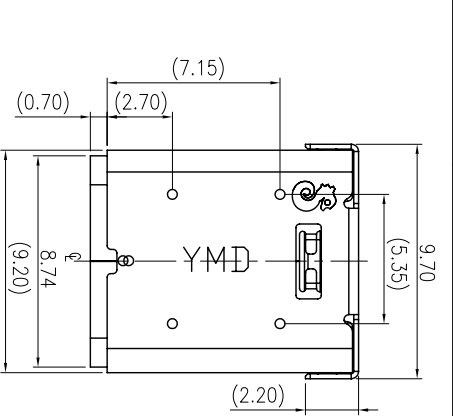


REV.	ECN NO OR DESCRIPTION	REVISED	DATE
A	PDR NO:1151109-3A	Stone	16/09/04
B	ECN NO:C160121 UPDATE PCB LAYOUT DIM	Stone	17/02/07
C	ECN NO:C170081 UPDATE PLATE DIM TO 6.30	Stone	17/08/16
D	ECN NO:C170087 COVER ADD GUIDE	Stone	17/09/18



PIN ASSIGNMENTS:

PIN No.	SIGNAL NAME	PIN NUMBER
A1	GND	B12
A2	SSTXp1	B11
A3	SSTXn1	B10
A4	Vbus	B9
A5	CC1/CC2	B8
A6	Dp1/Dp2	B7
A7	Dn1/Dn2	B6
A8	RFU1/RFU2	B5
A9	Vbus	B4
A10	SSRXn2	B3
A11	SSRXp2	B2
A12	GND	B1

NO.	DESCRIPTION	QTY	MATERIAL	PLATING & COLOR
F	GND RING	1	STAINLESS STEEL	
E	GND PLATE	1	STAINLESS STEEL	
D	COVER	1	STAINLESS STEEL	NICKEL PLATING
C	SHELL	1	STAINLESS STEEL	NICKEL PLATING
B	TERMINAL	24	COPPER ALLOY	AU 30U"ON CONTACT AREA AND Sn 50U"Min ON SOLDER AREA ALL OVER NICKEL 50U"Min PLATING
A	HOUSING	1	HIGH TEMP. THERMOPLASTIC UL 94V-0	BLACK

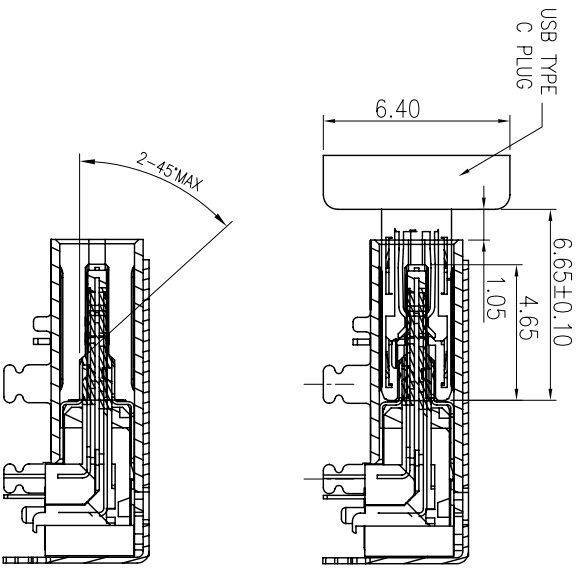
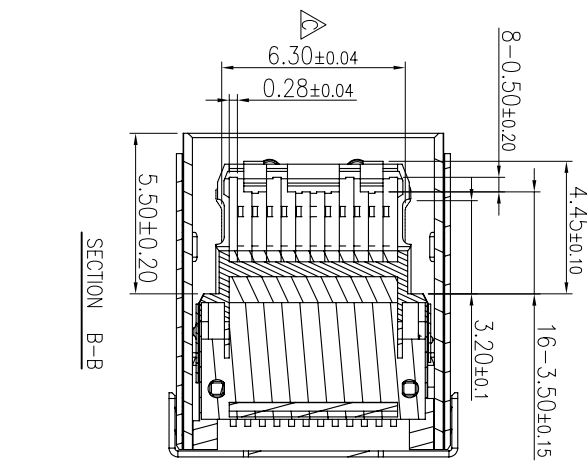
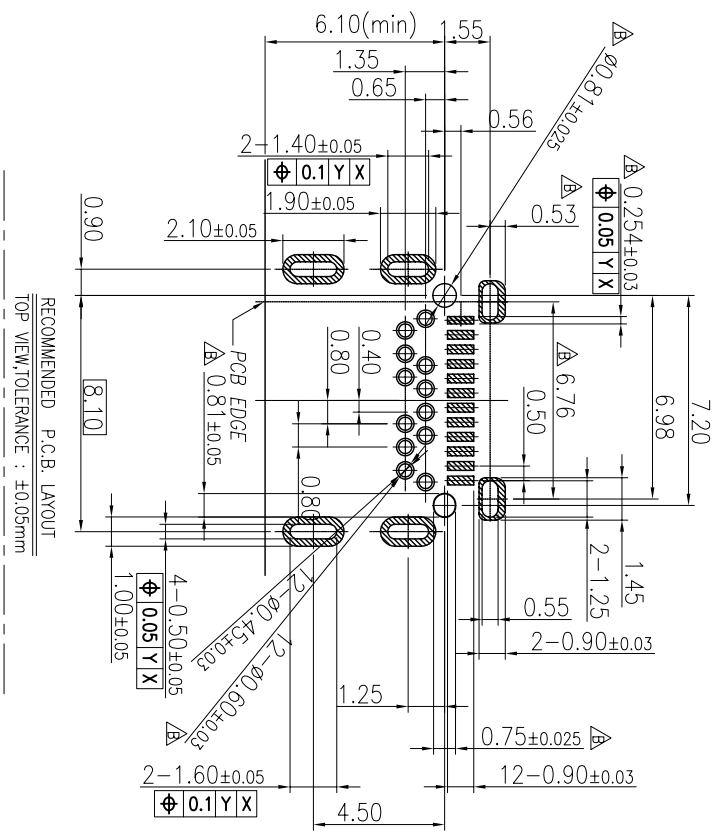
UNLESS OTHERWISE SPECIFIED TOLERANCES:		ANGLES:	
DECIMALS:			
X	:±0.5	X	:±2°
X.X	:±0.3	X.X	:±1°
X.XX	:±0.2		

TITLE	PART NO.:	UNIT:	SHEET:
USB Type-C Connector	2UB2C02-003111F	mm	1 OF 2

Singtong Enterprise Co., Ltd.
信音企業股份有限公司

CUSTOMER COPY

REV.	ECN NO. OR DESCRIPTION	REVISED	DATE
A	PDR NO.:151109-3A	Stone	16/09/04
B	ECN NO.:C160121 UPDATE PCB LAYOUT DIM	Stone	17/02/07
C	ECN NO.:C170081 UPDATE PLATE DIM TO 6.30	Stone	17/08/16
D	ECN NO.:C170087 COVER ADD GUIDE	Stone	17/09/18



RECOMMENDED P.C.B. LAYOUT
TOP VIEW, TOLERANCE : ±0.05mm

1. ELECTRICAL CHARACTERISTICS:

1-1. LLCR:

VBUS & GND PINS: 40mΩ / PIN MAX.

OTHER PINS: 40mΩ / PIN MAX.

LLCR MAX. CHANGE OF ALL PINS: 10mΩ.

1-2. CURRENT RATING: 5.0A MAX.

1-3. VOLTAGE RATING: 20.0V

1-4. INSULATION RESISTANCE: 100mΩ MIN.

1-5. ENVIRONMENTAL PERFORMANCE:

OPERATING TEMPERATURE: -55°C ~ +85°C

2. MECHANICAL CHARACTERISTICS:

2-1. INSERTION FORCE: 0.5 ~ 2.0kg

2-2. WITHDRAWAL FORCE: 0.8 ~ 2.0kg

(INITIAL 10,000 CYCLES) 0.6 ~ 2.0kg (AFTER LIFE TEST)

3. DURABILITY: 10,000 CYCLES

4. TO CONFORM TO THE SINGATRON HAZARDOUS SUBSTANCE FREE SPEC.

5. HALOGEN FREE PRODUCT IDENTIFICATION LABEL ON PACKAGING:

6. PACKAGE: SEE "2UB2C02-003111F" PACKAGE.

7. FOR REFLOW SOLDERING LEAD-FREE PROCESS

8. OTHER GENERAL SPEC. TO REFER "2UB2C02 SERIES SPEC."

PIN ASSIGNMENTS:

PIN No.	SIGNAL NAME	PIN NUMBER
A1	GND	B12
A2	SSTxp1	B11
A3	SSTxn1	B10
A4	Vbus	B9
A5	CC1/CC2	B8
A6	Dp1/Dp2	B7
A7	Dn1/Dn2	B6
A8	RFU1/RFU2	B5
A9	Vbus	B4
A10	SSRx2	B3
A11	SSRx2	B2
A12	GND	B1

	A	B	C	D	E	F
NO.	A	B	C	D	E	F
DESCRIPTION	HOUSING	TERMINAL	SHELL	COVER	GND PLATE	GND RING
QTY	1	24	1	1	1	1
MATERIAL	HIGH TEMP. THERMOPLASTIC	COPPER ALLOY	STAINLESS STEEL	STAINLESS STEEL	STAINLESS STEEL	STAINLESS STEEL
PLATING & COLOR	BLACK	AU 30μ"ON CONTACT AREA AND Sn 30μ"MIN ON SOLDER AREA ALT OVER NICKEL 500μ"MIN PLATING	NICKEL PLATING	NICKEL PLATING	NICKEL PLATING	NICKEL PLATING

TITLE	USB Type-C Connector
Part No.	2UB2C02-003111F
Scale	1:1
Unit	mm
Sheet	2 OF 2
Rev.	D



Singatron Enterprise Co., Ltd.
信音企業股份有限公司

APVD 17/09/21
SIZE: A3
SHEET: 2 OF 2
REV: D

CUSTOMER COPY