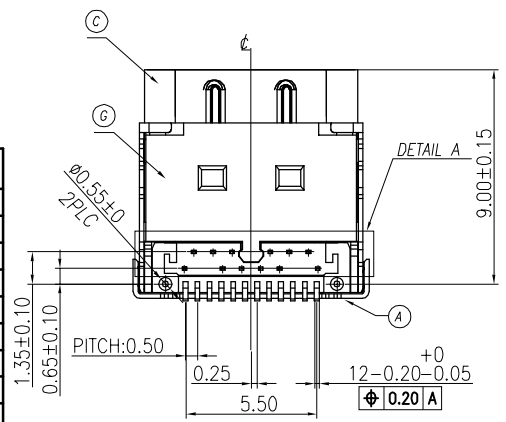
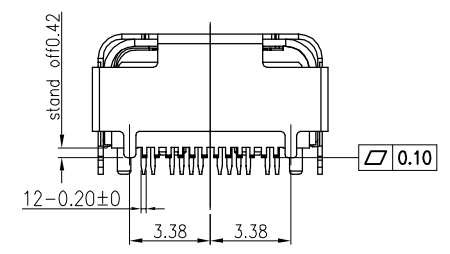
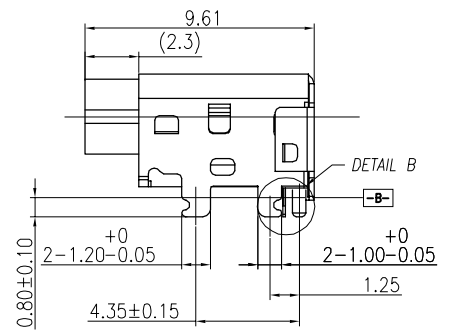
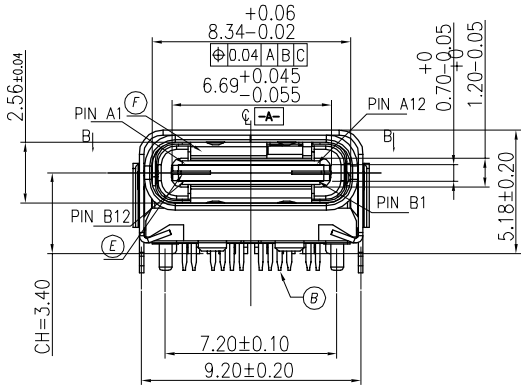
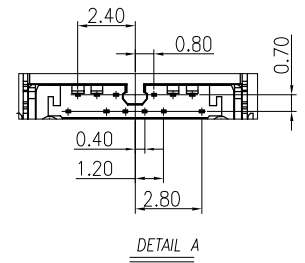
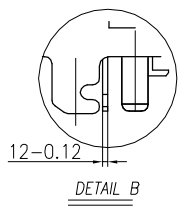
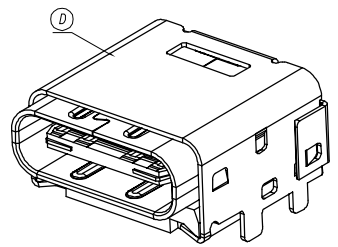
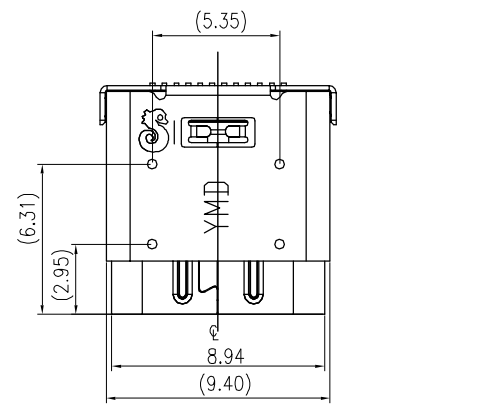


REV.	ECN NO OR DESCRIPTION	REVISED	DATE
A	PRODUCT RELEASE	Ted	2017/12/27
B	ECN NO.S202108-R12	XIAO	2021.10.13



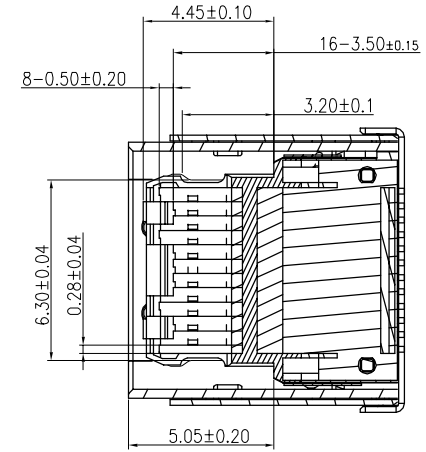
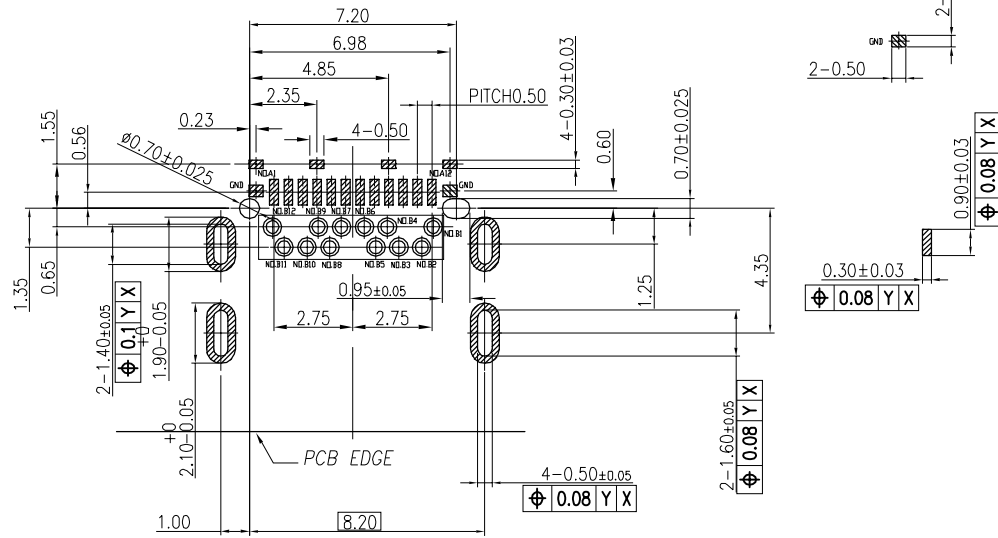
PIN ASSIGNMENTS:

PIN No.	SIGNAL NAME	PIN No.	PIN NUMBER
A1	GND	B12	GND
A2	SSTXp1	B11	SSRXp1
A3	SSTXn1	B10	SSRXn1
A4	Vbus	B9	Vbus
A5	CC1	B8	SBU2
A6	Dp1	B7	Dn2
A7	Dn1	B6	Dp2
A8	SBU1	B5	CC2
A9	Vbus	B4	Vbus
A10	SSRXn2	B3	SSTXn2
A11	SSRXp2	B2	SSTXp2
A12	GND	B1	GND

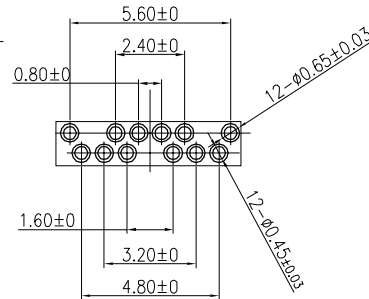
NO.	DESCRIPTION	QTY	MATERIAL	PLATING & COLOR
G	BLOCK	1	HIGH TEMP. THERMOPLASTIC UL 94V-0	BLACK
F	GND RING	1	STAINLESS STEEL	
E	GND PLATE	1	STAINLESS STEEL	
D	COVER	1	STAINLESS STEEL	NICKEL PLATING
C	SHELL	1	STAINLESS STEEL	NICKEL PLATING
B	TERMINAL	24	COPPER ALLOY	AU 30u"ON CONTACT AREA MATTE TIN ON SOLDER AREA 100u" Min ALL OVER NICKEL 50u" Min PLATING
A	HOUSING	1	HIGH TEMP. THERMOPLASTIC UL 94V-0	BLACK

UNLESS OTHERWISE SPECIFIED TOLERANCES		Singatron Enterprise Co., Ltd. 信音企業股份有限公司	
DECIMALS:	ANGLES:	TITLE	USB Type-C Connector
X :±0.5	X :±2°	DWN	xiao PART NO.: 2UB2C02-006111F
XX :±0.3	XX :±1°	CHKD	allen SCALE 2:1 UNIT: mm
XXX :±0.2		APVD	boye SIZE: A3 SHEET: 1 OF 2 REV: B
CUSTOMER COPY			

REV.	ECN NO OR DESCRIPTION	REVISED	DATE
A	PRODUCT RELEASE	Ted	2017/12/27
B	ECN NO.S202108-R12	XIAO	2021.10.13



RECOMMENDED P.C.B. LAYOUT  
TOP VIEW, TOLERANCE : ±0.05mm



- 1.ELECTRICAL CHARACTERISTICS:  
 1-1.LLCR :  
 VBUS&GND PINS:40mΩ /PIN MAX.  
 OTHER PINS:40mΩ /PIN MAX.  
 LLCR MAX. CHANGE OF ALL PINS:10mΩ.  
 1-2CURRENT RATING:5.0A MAX.  
 1-3.VOLTAGE RATING:20.0V  
 1-4.INSULATION RESISTANCE:100mΩ MIN.  
 1-5.ENVIRONMENTAL PERFORMANCE:  
 OPERATING TEMPERATURE:-55°C~+85°C
- 2.MECHANICAL CHARACTERISTICS:  
 2-1.INSERTION FORCE:0.5~2.0kg.  
 2-2.WITHDRAWAL FORCE:0.8~2.0kg(INITIAL VALUE)  
 0.6~2.0kg (AFTER LIFE TEST)
- 3.DURABILITY:10,000CYCLES  
 4.TO CONFORM TO THE SINGATRON HAZARDOUS SUBSTANCE FREE SPEC.  
 5.HALOGEN FREE PRODUCT IDENTIFICATION LABEL ON PACKAGING:  
 6.PACKAGE:SEE"2UB2C02-006111F"PACKAGE.  
 7.FOR REFLOW SOLDERING LEAD-FREE PROCESS  
 8.OTHER GENERAL SPEC.TO REFER"2UB2C02 SPEC."



NO.	DESCRIPTION	QTY	MATERIAL	PLATING & COLOR
UNLESS OTHERWISE SPECIFIED TOLERANCES		Singatron Enterprise Co., Ltd. 信音企業股份有限公司		
DECIMALS: ANGLES:		TITLE: USB Type-C Connector		
X : ±0.5	X : ±2°	DWN	xiao	PART NO.: 2UB2C02-006111F
XX : ±0.3	XX : ±1°	CHKD	allen	SCALE 2:1 UNIT: mm
XX.XX : ±0.2		APVD	boye	SIZE: A3 SHEET: 2 OF 2 REV: B
CUSTOMER COPY				