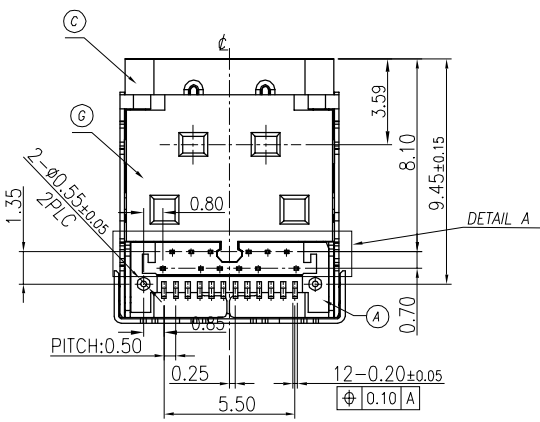
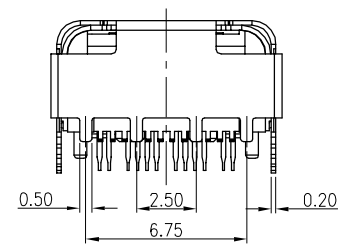
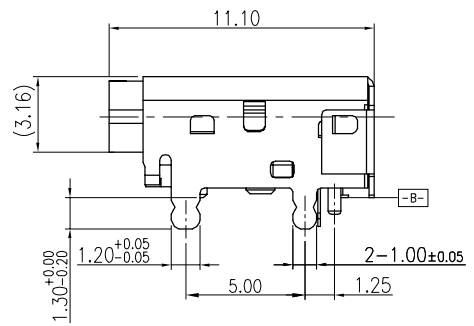
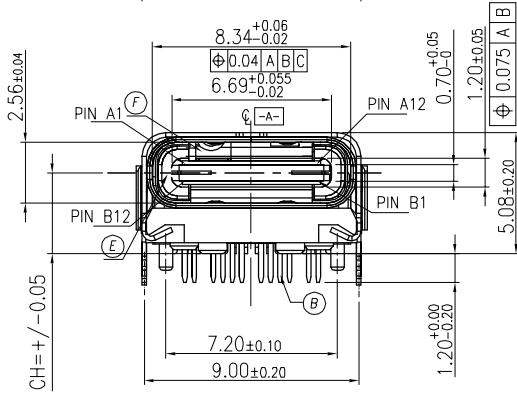
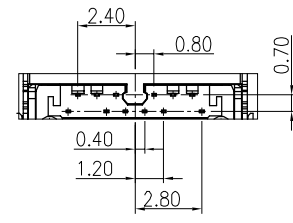
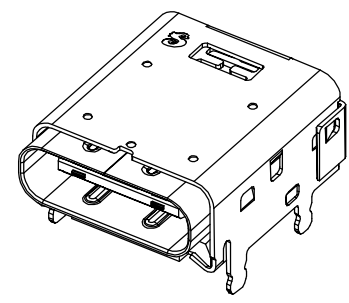
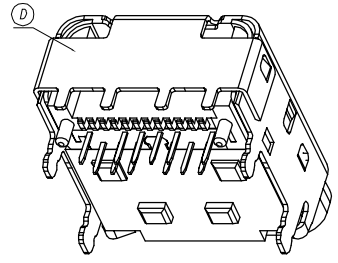
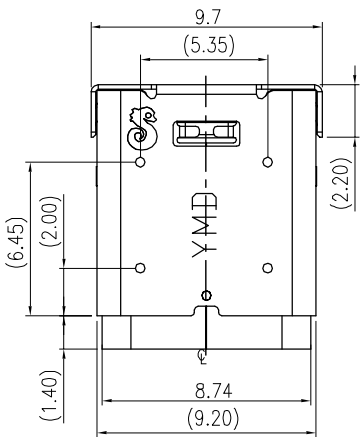


REV.	ECN NO OR DESCRIPTION	REVISED	DATE
A	PRODUCT RELEASE	Ted	2017/12/27
B	ECN NO.: S202101-R28	EDI	2021/02/05



PIN ASSIGNMENTS:

PIN No.	SIGNAL NAME	PIN No.	SIGNAL NAME
A1	GND	B1	GND
A2	SSTXp1	B2	SSRXp1
A3	SSTXn1	B3	SSRXn1
A4	Vbus	B4	Vbus
A5	CC1/CC2	B5	CC1/CC2
A6	Dp1/Dp2	B6	Dp1/Dp2
A7	Dn1/Dn2	B7	Dn1/Dn2
A8	RFU1/RFU2	B8	RFU1/RFU2
A9	Vbus	B9	Vbus
A10	SSRXn2	B10	SSTXn2
A11	SSRXp2	B11	SSTXp2
A12	GND	B12	GND

NO.	DESCRIPTION	QTY	MATERIAL	PLATING & COLOR
G	BLOCK	1	HIGH TEMP. THERMOPLASTIC UL 94V-0	BLACK
F	GND RING	1	STAINLESS STEEL	
E	GND PLATE	1	STAINLESS STEEL	
D	COVER	1	STAINLESS STEEL	NICKEL PLATING
C	SHELL	1	STAINLESS STEEL	NICKEL PLATING
B	TERMINAL	24	COPPER ALLOY	AU 30u"ON CONTACT AREA MATTE TIN ON SOLDER AREA 60u" Min ALL OVER NICKEL 50u" Min PLATING
A	HOUSING	1	HIGH TEMP. THERMOPLASTIC UL 94V-0	BLACK

UNLESS OTHERWISE SPECIFIED TOLERANCES

DECIMALS: X : ±0.5 X.X : ±0.3 X.XX : ±0.2

ANGLES: X : ±2° X.X : ±1°

Singatron Enterprise Co., Ltd.  
信音企業股份有限公司

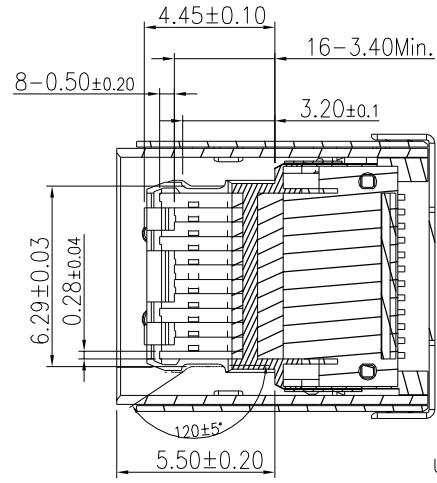
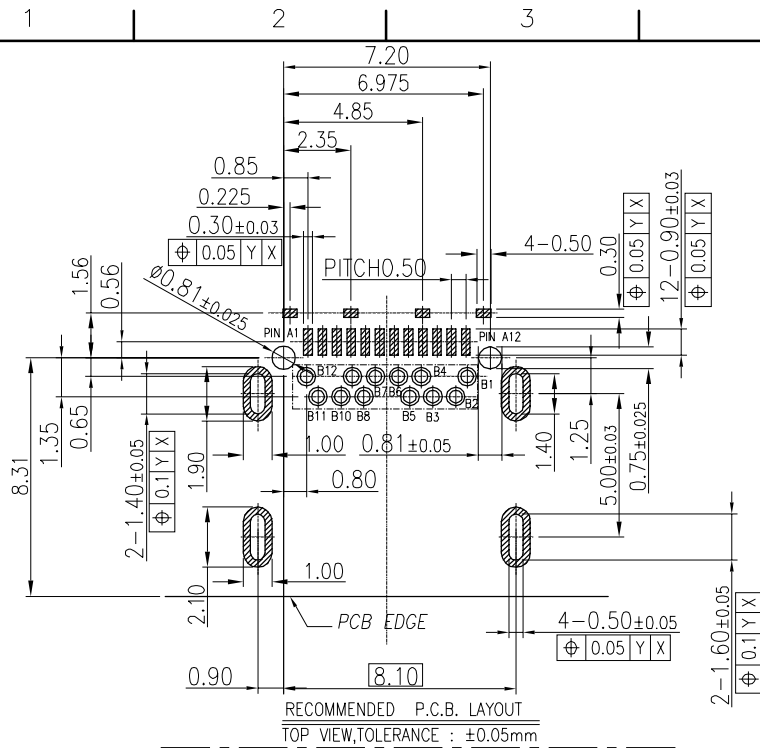
TITLE: USB Type-C Connector

DWN: edi-zhou PART NO.: 2UB2C02-008111F

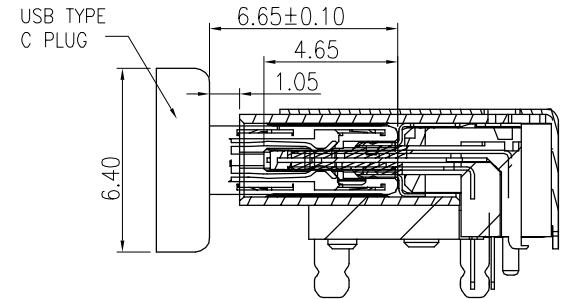
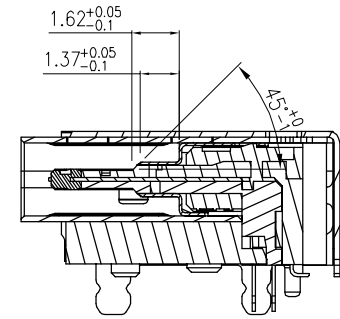
CHKD: Boye SCALE 1:1 UNIT: mm

APVD: Lussen SIZE: A3 SHEET: 1 OF 2 REV: B

CUSTOMER COPY



REV.	ECN NO OR DESCRIPTION	REVISED	DATE
A	PRODUCT RELEASE	Ted	2017/12/27
B	ECN NO.: S202101-R28	EDI	2021/02/05



1.ELECTRICAL CHARACTERISTICS:

1-1.LLCR :

VBUS&GND PINS:40mΩ /PIN MAX.  
 OTHER PINS:40mΩ /PIN MAX.  
 LLCR MAX. CHANGE OF ALL PINS:10mΩ.

1-2CURRENT RATING:5.0A MAX.

1-3.VOLTAGE RATING:20.0V

1-4.INSULATION RESISTANCE:100mΩ MIN.

1-5.ENVIRONMENTAL PERFORMANCE:

OPERATING TEMPERATURE:-55°C~+85°C

2.MECHANICAL CHARACTERISTICS:

2-1.INSERTION FORCE:0.5~2.0kg.

2-2.WITHDRAWAL FORCE:0.8~2.0kg(INTIAL VALUE)  
 0.6~2.0kg(AFTER LIFE TEST)

3.DURABILITY:10,000CYCLES

4.TO CONFORM TO THE SINGATRON HAZARDOUS SUBSTANCE FREE SPEC.

5.HALOGEN FREE PRODUCT IDENTIFICATION LABEL ON PACKAGING:

6.PACKAGE:SEE"2UB2C02-008111F"PACKAGE.

7.FOR REFLOW SOLDERING LEAD-FREE PROCESS

8.OTHER GENERAL SPEC.TO REFER"2UB2C02 SPEC."

9.PRINTED DATE CODE"Y M D.." ON TOP OF CONNECTOR.

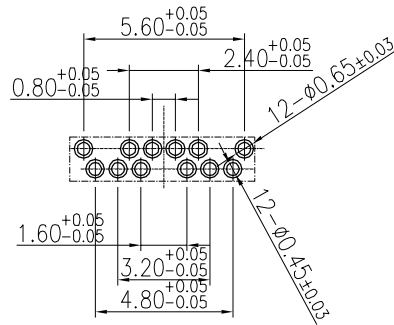
DATE CODE: Y M D

MANUFACTURING LAND:ZHONG SHAN

D: DAY

M: MONTH

Y: YEAR



G	BLOCK	1	HIGH TEMP. THERMOPLASTIC UL 94V-0	BLACK
F	GND RING	1	STAINLESS STEEL	
E	GND PLATE	1	STAINLESS STEEL	
D	COVER	1	STAINLESS STEEL	NICKEL PLATING
C	SHELL	1	STAINLESS STEEL	NICKEL PLATING
B	TERMINAL	24	COPPER ALLOY	AU 30u"ON CONTACT AREA MATTE TIN ON SOLDER AREA 60u" Min ALL OVER NICKEL 50u" Min PLATING
A	HOUSING	1	HIGH TEMP. THERMOPLASTIC UL 94V-0	BLACK
NO.	DESCRIPTION	QTY	MATERIAL	PLATING & COLOR

UNLESS OTHERWISE SPECIFIED TOLERANCES

Singatron Enterprise Co., Ltd.  
 信音企業股份有限公司

DECIMALS: ANGLES:  
 X :±0.5 X :±2°  
 X.X :±0.3 X.X :±1°  
 X.XX :±0.2

TITLE	USB Type-C Connector		
DWN	edi-zhou	PART NO.:	2UB2C02-008111F
CHKD	Boye	SCALE 1:1	UNIT: mm
APVD	Lussen	SIZE: A3	SHEET: 2 OF 2 REV: B

CUSTOMER COPY