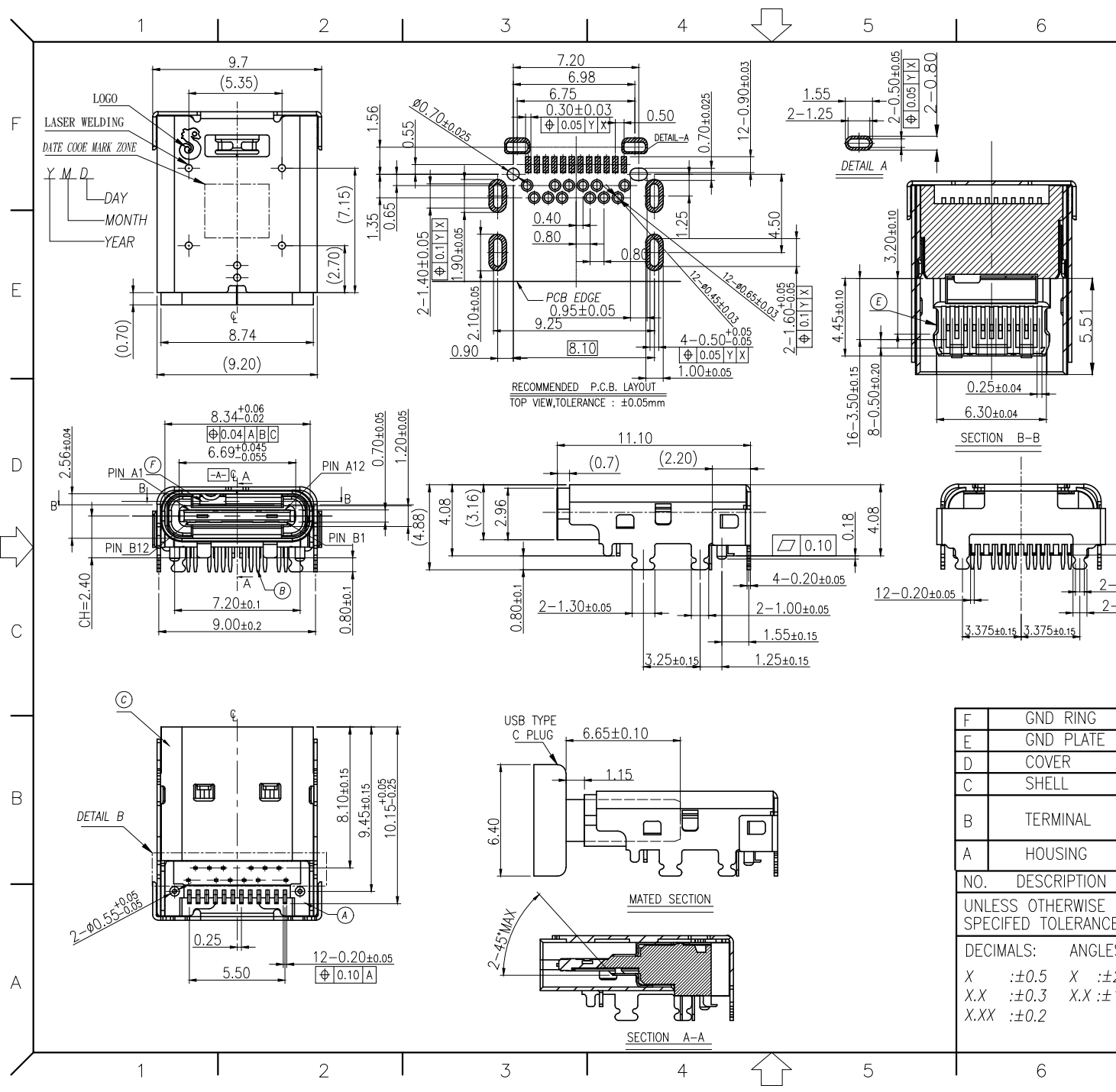


REV.	ECN NO OR DESCRIPTION	REVISED	DATE
A	PDR NO:T230519-2A	LIANG	2023.09.07



- 1.ELECTRICAL CHARACTERISTICS:
- 1-1.LLCR:
 - VBUS & GND PINS:40mΩ/PIN MAX.
 - OTHER PINS:40mΩ/PIN MAX.
 - LLCR MAX. CHANGE OF ALL PINS:10mΩ.
 - 1-2.CURRENT RATING:5.0A MAX.
 - 1-3.VOLTAGE RATING:20.0V
 - 1-4.INSULATION RESISTANCE:100MΩ MIN. BY 500V DC.
 - 1-5.ENVIRONMENTAL PERFORMANCE:
 - OPERATING TEMPERATURE:-55°C~+85°C
- 2.MECHANICAL CHARACTERISTICS:
- 2-1.INSERTION FORCE:0.5~2.0kg.
 - 2-2.WITHDRAWAL FORCE:0.8~2.0kg
(INITIAL 10,000 CYCLES)0.6~2.0kg (AFTER LIFE TEST)
- 3.DURABILITY:10,000CYCLES
- 4.TO CONFORM TO THE SINGATRON HAZARDOUS SUBSTANCE FREE SPEC.
- 5.HALOGEN FREE PRODUCT IDENTIFICATION LABEL ON PACKAGING:
- 6.PACKAGE-SEE"2UB2C02-007111F"PACKAGE.
- 7.FOR REFLOW SOLDERING LEAD-FREE PROCESS
- 8.OTHER GENERAL SPEC.TO REFER"2UB2C02 SPEC."

PIN ASSIGNMENTS:

PIN No.	SIGNAL NAME	PIN NUMBER
A1	GND	B12
A2	SSTxp1	B11
A3	SSTxn1	B10
A4	Vbus	B9
A5	CC1/CC2	B8
A6	Dp1/Dp2	B7
A7	Dn1/Dn2	B6
A8	RFU1/RFU2	B5
A9	Vbus	B4
A10	SSRXn2	B3
A11	SSRXp2	B2
A12	GND	B1

F	GND RING	1	SUS301 3/4H T=0.15	
E	GND PLATE	1	SUS301 1/2H T=0.10	
D	COVER	1	SUS304 1/2H T=0.20	NICKEL 60u" Min PLATING
C	SHELL	1	SUS304 1/2H T=0.20	NICKEL 60u" Min PLATING
B	TERMINAL	24	C7035 T=0.12	G/F ON CONTACT AREA MATT TIN 75u"Min ON SOLDER AREA ALL OVER NICKEL 80u"Min PLATING
A	HOUSING	1	LCP E130I UL 94V-0	BLACK

NO.	DESCRIPTION	QTY	MATERIAL	PLATING & COLOR
UNLESS OTHERWISE SPECIFIED TOLERANCES:		Singatron Enterprise Co., Ltd. 信音企業股份有限公司		
DECIMALS:	ANGLES:	TITLE		
X :±0.5	X :±2°	CONN USB3.1CONN USB3.1C 24P CH=2.4		
X.X :±0.3	X.X :±1°	DWN	LIANG	PART NO.: 2UB2C02-016111F
X.XX :±0.2		CHKD	BOYE	SCALE 1:1 UNIT: mm
		APVD	LIAO	SIZE: A3 SHEET:1 OF 1 REV: A
CUSTOMER COPY				