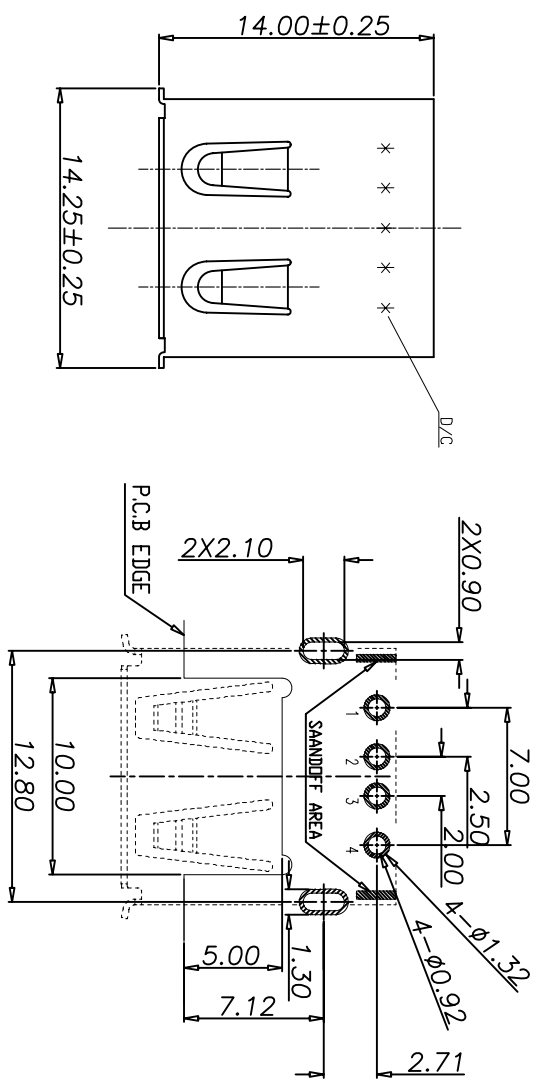
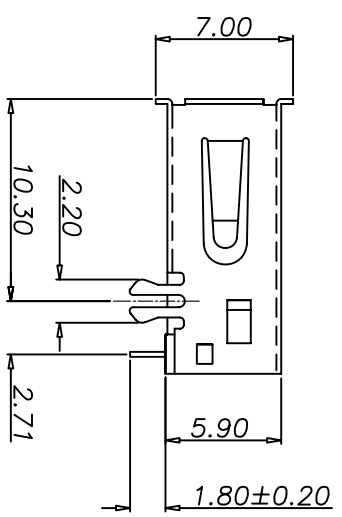
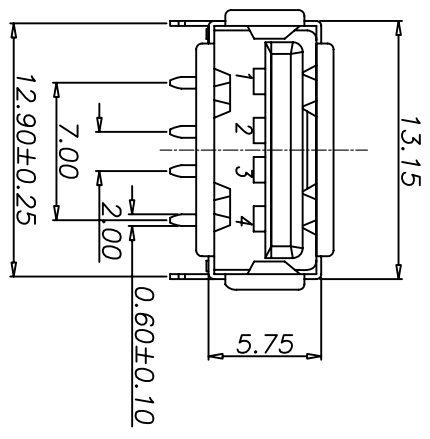


REV/ECN NO OR DESCRIPTION	REVISED	DATE
A PRODUCT RELEASE	Robin	12/28/09



RECOMMENDED PCB LAYOUT  
DEFAULT TOLERANCE:±0.05



- NOTES:
1. RECOMMENDED PCB THICKNESS: 1.2mm
  2. MECHANICAL CHARACTERISTICS
    - 2-1 MATING FORCE: 3.5kgf MAX
    - 2-2 UNMATING FORCE: 1.0~3.5kgf
    - 2-3 DURABILITY: 500 CYCLES.
    - 2-4 OPERATING TEMPERATURE: -55°C TD +85°C
  3. ELECTRICAL CHARACTERISTICS
    - 3-1 CONTACT RESISTANCE: 30 Milliohms MAX.
    - 3-2 CURRENT RATING: 1.5A MAX. PER CONTACT
    - 3-3 INSULATION RESISTANCE: 1000 Megohms MIN
    - 3-4 DIELECTRIC WITHSTANDING VOLTAGE: 750VAC MIN.
  4. MATING INTERFACE CONFIGURATION MEETS USB RECEPTACLE SPECIFICATION.

3	CONTACT	4	COPPER ALLOY	30μ"MIN GOLD AT CONTACT AREA, 50μ"MIN TIN AT TAIL UNDERPLATED.
2	INSULATOR	1	THERMO-PLASTIC	BLACK
1	SHELL	1	COPPER ALLOY	NICKEL PLATED.
NO	DESCRIPTION	QTY	MATERIAL	PLATING & COLOR
UNLESS OTHERWISE SPECIFIED TOLERANCES				
Singatron Enterprise Co., Ltd. 信音企業股份有限公司				
TITLE: USB A (P) 单层 90°				
DECIMALS:	ANGLES:	PART NO. ZUB2Y02-000111		
X : ±0.5	X : ±2°	DWN	Robin	SCALE: N/A
X.X : ±0.3	X.X : ±1'	CHKD		UNIT: mm
X.XX : ±0.2		APVD	SEAN	SIZE: A4
				SHEET: 1/1
				REV: A
CUSTOMER COPY				