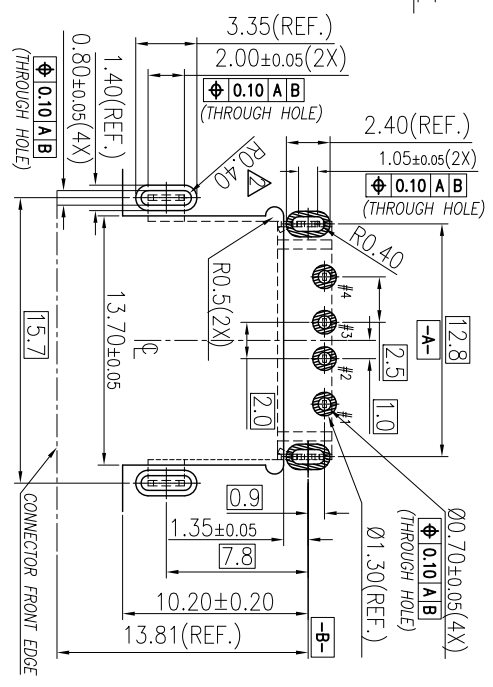
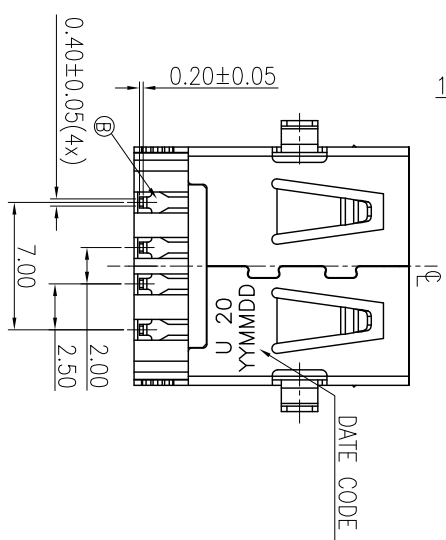
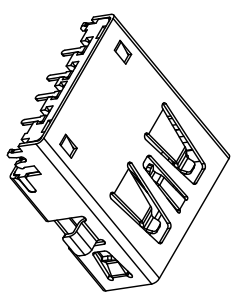
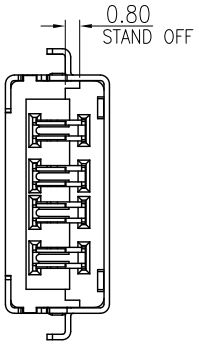
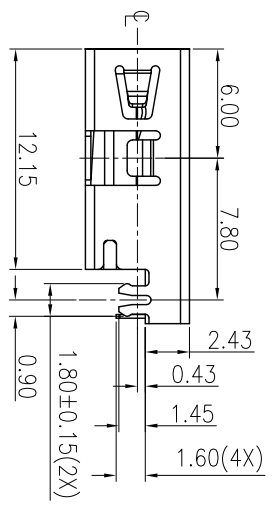
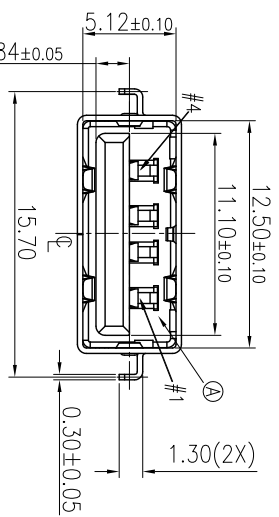
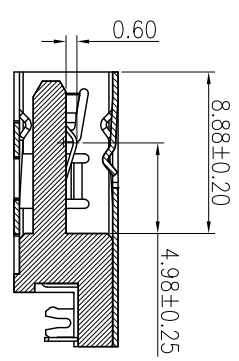
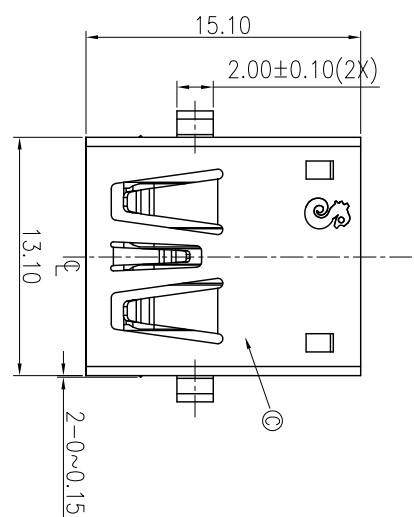


REV. A	ECN NO. OR DESCRIPTION	REVISED	DATE
A	PRODUCT RELEASE	Longjiang	2014.12.10

- SPECIFICATIONS:
- ELECTRICAL CHARACTERISTICS:
 - CURRENT RATING: 1.5A
 - CONTACT RESISTANCE: 30mΩ MAX.
 - DIELECTRIC WITHSTANDING VOLTAGE: 500V AC FOR 1 MINUTE
 - INSULATION RESISTANCE: 1000MΩ MIN.
 - MECHANICAL CHARACTERISTICS:
 - INSERTION FORCE: 3.5 Kgf MAX.
 - WITHDRAWAL FORCE: 1.0 Kgf MIN.
 - DURABILITY: 5,000 CYCLES.
 - TO CONFORM TO SINGATRON HAZARDOUS SUBSTANCE FREE SPEC.
 - OTHER GENERAL SPEC. TO REFER "ZUB2Y08 SPEC"
 - HALOGEN FREE PRODUCT IDENTIFICATION LABEL ON PACKAGING.
 - FOR REFLOW SOLDERING LEAD-FREE PROCESS.
 - PACKAGE: TAPE & REEL



C	SHELL	1	SUS 304	NICKEL 50μ"MIN.
B	TERMINAL	4	C5191	SOLD FLASH PLATED ON CONTACT AREA 80μ"Min 5μ" PLATED ON SOLDER TAIL, All OVER Ni 50μ" MIN.
A	HOUSING	1	LCP U194-V0	BLACK
NO	DESCRIPTION	QTY	MATERIAL	PLATING & COLOR
UNLESS OTHERWISE SPECIFIED TOLERANCES				
Singatron Enterprise Co., Ltd. 信音企業股份有限公司				
TITLE: USB2.0 DIP A TYPE FEMALE, PH=0.43mm				
DWM: 14/12/14 PART NO.: ZUB2Y08-000111F				
CHKD: 14/12/15 SCALE: N/A UNIT: mm				
APVD: 14/12/15 SIZE: A3 SHEET: 10F1 REV: A				

DECIMALS:		ANGLES:	
X	:±0.5	X	:±2°
X.X	:±0.3	X.X	:±1°
X.XX	:±0.2		

CUSTOMER COPY