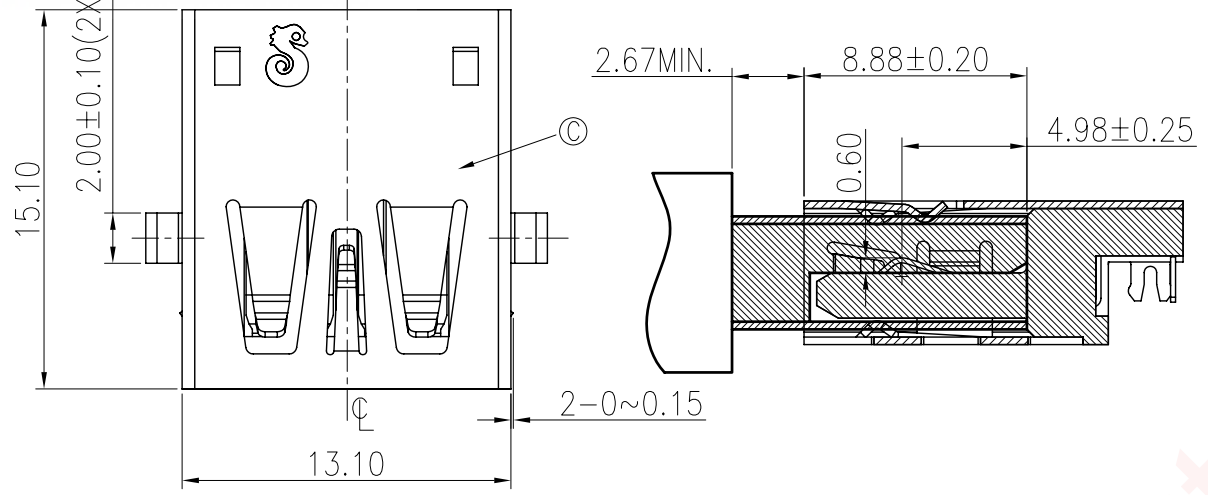
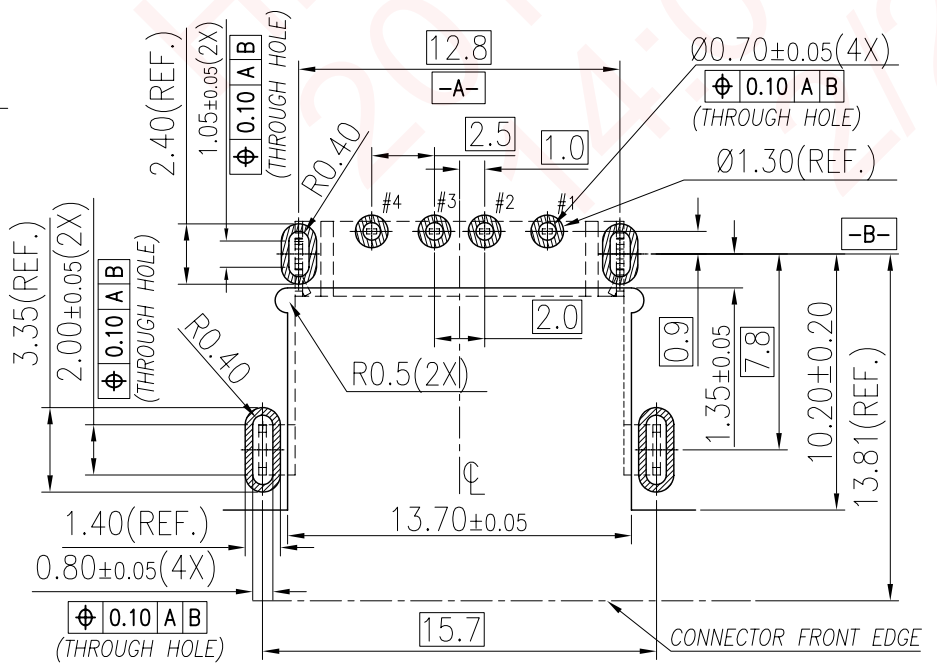
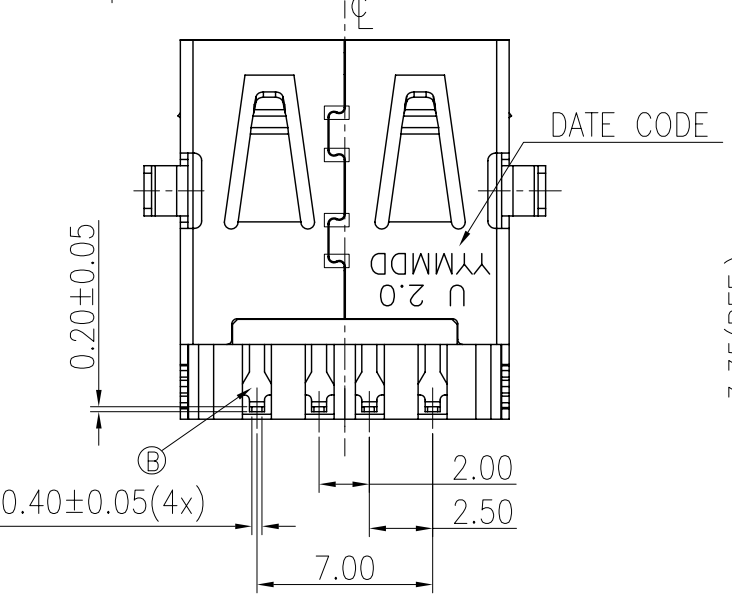
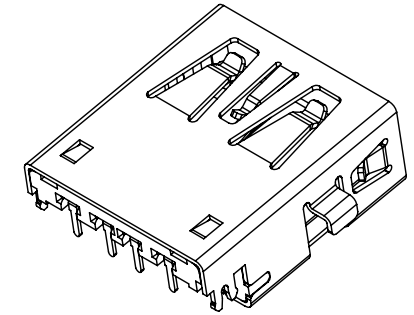
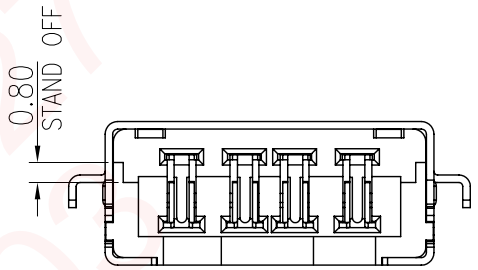
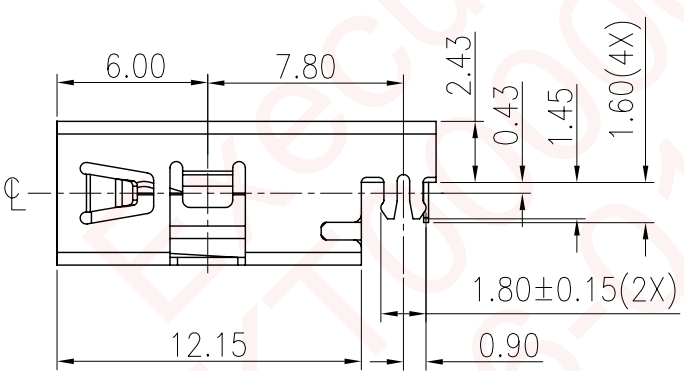
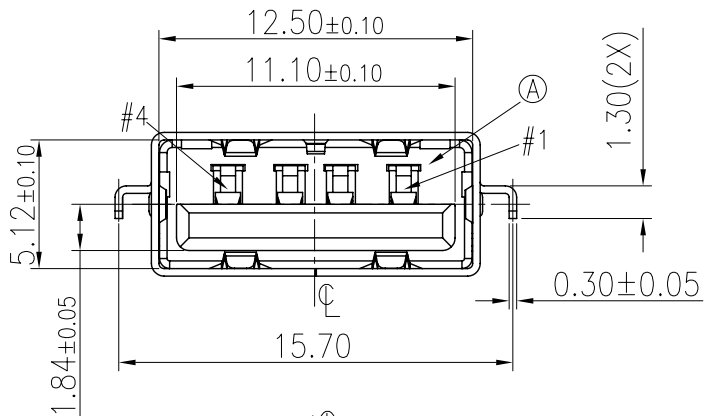


REV.	ECN NO OR DESCRIPTION	REVISED	DATE
A	PRODUCT RELEASE	Longjiang	2016.1.18



- SPECIFICATIONS:**
- ELECTRICAL CHARACTERISTICS:**
    - CURRENT RATING: 1.5A
    - CONTACT RESISTANCE: 30mΩ MAX.
    - DIELECTRIC WITHSTANDING VOLTAGE: 500V AC FOR 1 MINUTE.
    - INSULATION RESISTANCE: 1,000MΩ MIN. BY 500V DC.
  - MECHANICAL CHARACTERISTICS:**
    - INSERTION FORCE : 3.5 Kgf MAX.
    - WITHDRAWAL FORCE : 1.0 Kgf MIN.
  - DURABILITY:** 5,000 CYCLES.
  - TO CONFORM TO SINGATRON HAZARDOUS SUBSTANCE FREE SPEC.
  - OTHER GENERAL SPEC. TO REFER "2UB2Y08 SERIES SPEC"
  - HALOGEN FREE PRODUCT IDENTIFICATION LABEL ON PACKAGING:
  - FOR REFLOW SOLDERING LEAD-FREE PROCESS.
  - PACKAGE: TAPE & REEL.



RECOMMAND P.C.B LAYOUT (THK:1.0mm)

C	SHELL	1	SUS 304	NICKEL 50μ"MIN.
B	TERMINAL	4	C5191	Au30u" ON CONTACT AREA, 80u" MATT SN ON SOLDER TAIL, ALL OVER NI 50u" MIN. PLATING.
A	HOUSING	1	LCP UL94-V0	BLACK
NO	DESCRIPTION	QTY	MATERIAL	PLATING & COLOR
UNLESS OTHERWISE SPECIFIED TOLERANCES		Singatron Enterprise Co., Ltd. 信音企業股份有限公司		
DECIMALS: ANGLES:		TITLE USB2.0 DIP A TYPE FEMALE, PH=0.43mm		
X	:±0.5 X :±2°	DWN	Longjiang-Cao 16/01/20	PART NO. 2UB2Y08-002111F
X.X	:±0.3 X.X :±1°	CHKD	Yan-Zhang 16/01/20	SCALE N/A UNIT: mm
X.XX	:±0.2	APVD	Justin-Kuo 16/01/20	SIZE: A3 SHEET: 10F1 REV: A
CUSTOMER COPY				