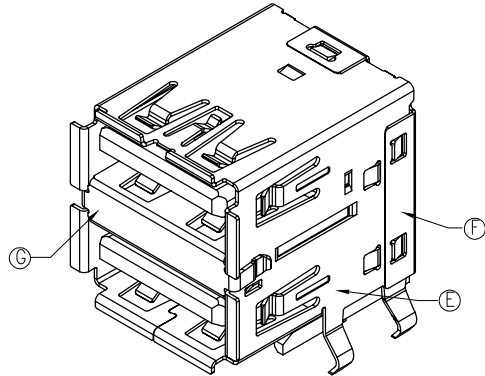
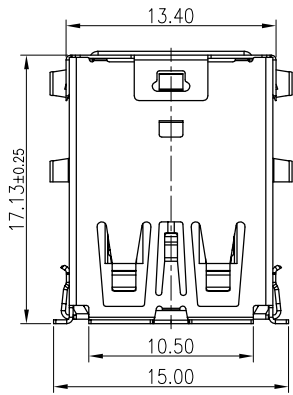
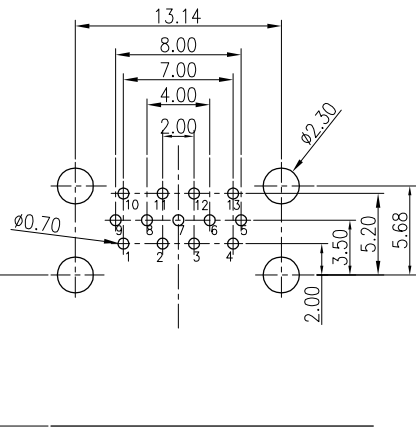
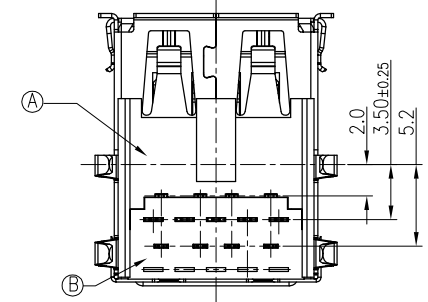
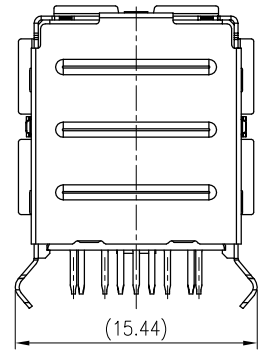
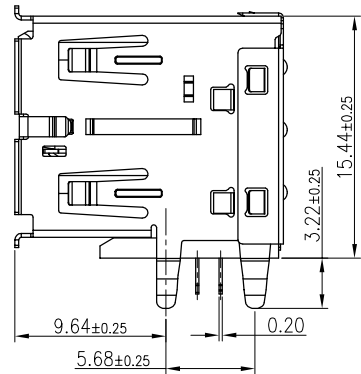
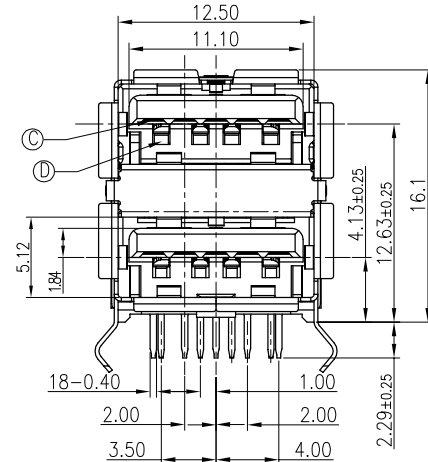


REV.	ECN NO OR DESCRIPTION	REVISED	DATE
A	PRODUCT RELEASE	Cheney	18.11.30



SPECIFICATIONS:

- ELECTRICAL CHARACTERISTICS:
 - CURRENT RATING: 1.8A (PIN1,4) ; OTHER CONTACTS 0.25A
 - CONTACT RESISTANCE: 30mΩ MAX.(INITIAL)
 - DIELECTRIC WITHSTANDING VOLTAGE: 500V AC FOR 1 MINUTE
 - INSULATION RESISTANCE: 100MΩ MIN. MEASURED BY 500 VDC.
- MECHANICAL CHARACTERISTICS:
 - INSERTION FORCE : 35N MAX. INITIAL.
 - WITHDRAWAL FORCE : 9.8N MIN INITIAL, 8N MIN, FOR AFTER TEST.
- LIFE TEST: 5000 CYCLES
 - OPERATING TEMPERATURE: -55~+85°C
- OTHER GENERAL SPEC TO REFER "2UB1711-001111F_SPEC_A"
- TO CONFORM TO SINGATRON HAZARDOUS SUBSTANCE FREE SPEC.
- HALOGEN FREE PRODUCT IDENTIFICATION MARK : Ⓞ
- HALOGEN FREE PRODUCT IDENTIFICATION LABEL ON PACKAGING:
- FOR IR REFLOW ROFILE, PEAK TEMPERATURE: 260°C MAX. 10SECS.
- PACKAGING : TRAY.



RECOMMENDED P.C.B. LAYOUT
TOLERANCE (TOP VIEW) ±0.05mm

G	SPRING TERMINAL	1	STAINLESS STEEL	
F	BACK SHELL	1	STAINLESS STEEL	
E	FRONT SHELL	1	STAINLESS STEEL	NICKEL PLATING
D	CONTACT_A	8	COPPER ALLOY	Au 1u"MIN. ON CONTACT AREA, MATTE Sn 80u"MIN. ON SOLDER TAIL, ALL OVER NICKEL PLATING
C	CONTACT_B	5	COPPER ALLOY	
B	COVER	1	HIGH TEMPERATURE PLASTIC	BLACK
A	HOUSING	1	UL94V-0	
NO	DESCRIPTION	QTY	MATERIAL	PLATING & COLOR

UNLESS OTHERWISE SPECIFIED TOLERANCES		Singatron Enterprise Co., Ltd. 信音企業股份有限公司		
DECIMALS:	ANGLES:	TITLE	USB 2.0+USB 3.0 CONNECTOR	
X : ±0.5	X : ±2°	DWN	Nonlin-Chen 18/12/10	PART NO.2UB2Y11-000111F
X.X : ±0.3	X.X : ±1°	CHKD	Qicai-Hu 18/12/10	SCALE 1:1 UNIT: mm
X.XX : ±0.2		APVD	clint-lin 18/12/10	SIZE: A3 SHEET: 10F1 REV:A
CUSTOMER COPY				