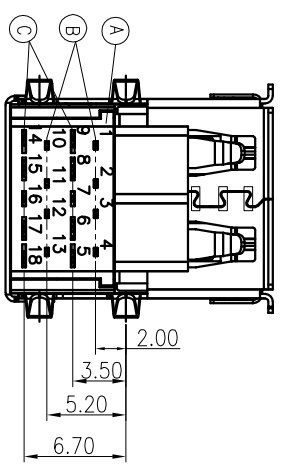
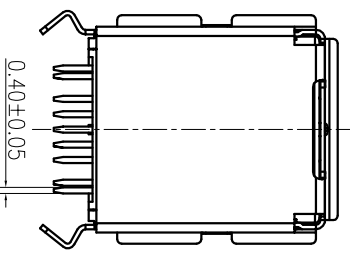
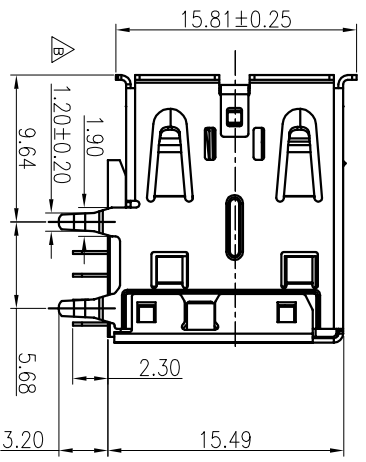
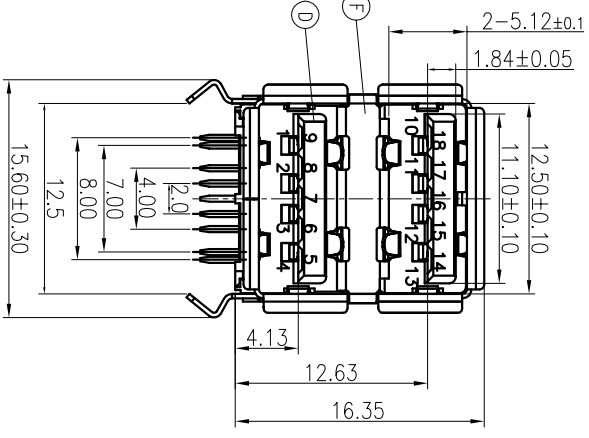


RECOMMENDED P.C.B. LAYOUT
TOLERANCE (TOP VIEW) ±0.05mm



SPECIFICATIONS:

1. ELECTRICAL CHARACTERISTICS:
 - 1-1. CURRENT RATING: 1.8A (VBUS&GND) ; OTHER CONTACTS 0.25A
 - 1-2. CONTACT RESISTANCE: 30mΩ (INITIAL)MAX.
 - 1-3. DIELECTRIC WITHSTANDING VOLTAGE: 500V AC FOR 1 MINUTE
 - 1-4. INSULATION RESISTANCE: 100MΩ MIN. MEASURED BY 500 VDC.
2. MECHANICAL CHARACTERISTICS:
 - 2-1. INSERTION FORCE : 35N MAX. INITIAL.
 - 2-2. WITHDRAWAL FORCE : 9.8N MIN INITIAL, 8N MIN, FOR AFTER TEST.
 3. LIFE TEST:5000 CYCLES.
 - 3-1. OPERATING TEMPERATURE: -55~+85°C
4. OTHER GENERAL SPEC TO REFER "USB 3.0 SERICE_SPEC"
5. TO CONFORM TO SINGATRON HAZARDOUS SUBSTANCE FREE SPEC.
6. HALOGEN FREE PRODUCT IDENTIFICATION MARK : ◎
7. HALOGEN FREE PRODUCT IDENTIFICATION LABEL ON PACKAGING: ◎
8. FOR IR REFLOW ROFILE:PEAK TEMPERATURE:260°C MAX.10SECS.
9. PACKAGING : TRAY

REV.	ECN NO	OR DESCRIPTION	REVISED	DATE
A	PRODUCT RELEASE	YEWEL	2021.02.25	
B	ECN NO. C202106-P03	YEWEL	2021.08.12	

REMARK	PIN NO.:	SIGNAL NAME
USB2 CONTACT PIN	1	VBUS
	2	D-
	3	D+
	4	GND
	5	SSRX-
	6	SSRX+
	7	GND_DRAIN
	8	SSTX-
	9	SSTX+
USB3 CONTACT PIN	10	
	11	
	12	
	13	
	14	
	15	
	16	
	17	
	18	

NO	DESCRIPTION	QTY	MATERIAL	PLATING & COLOR
A	SPACER	1	LCP UL94V-0	BLACK
B	USB2.0 CONTACT	8	COPPER ALLOY	
C	USB3.0 CONTACT	10	BRASS	
D	HOUSING	1	PA9T UL94V-0	BLACK
E	SHELL	1	STAINLESS STEEL	CLEAN TIN ON SOLDER TAIL AND NICKEL PLATING
F	MIDDLE SHELL	1	STAINLESS STEEL	CLEAN

UNLESS OTHERWISE SPECIFIED TOLERANCES

DECIMALS: ANGLES:

X : ±0.5 X : ±2
X.X : ±0.3 X.X : ±1°
X.XX : ±0.2

TITLE	DOUBLE USB3.1 DIP TYPE
DWN	YE WEI PART NO.2UB2Y11-300113F
CHKD	JIM-deng SCALE 1:1 UNIT: mm
APVD	JIM-deng SIZE: A1 SHEET: 10F1 REV: B

Singatron Enterprise Co., Ltd.
信亨企業股份有限公司

CUSTOMER COPY