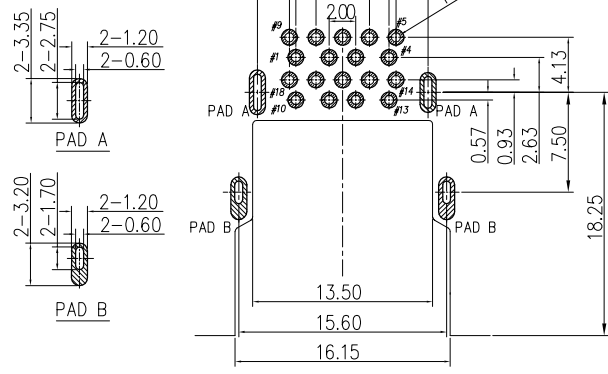
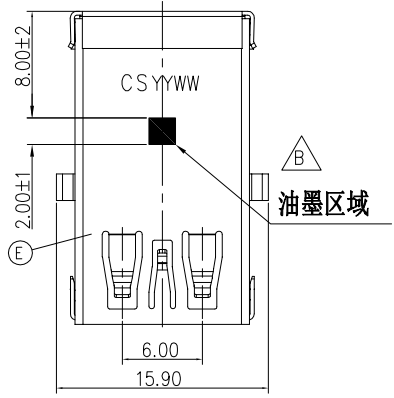


1 2 3 4 5 6 7 8

REV.	ECN NO OR DESCRIPTION	REVISED	DATE
A	PRODUCT RELEASE	YEWEI	2021.02.25
B	ECN NO. C202107-C04	YEWEI	2022.04.11
C	ECN NO. C202206-C01	YEWEI	2022.07.07

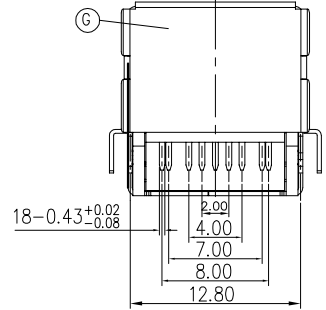
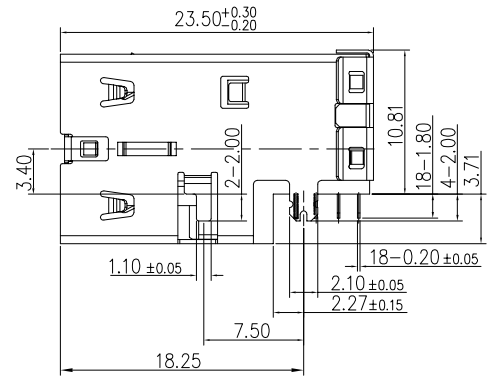
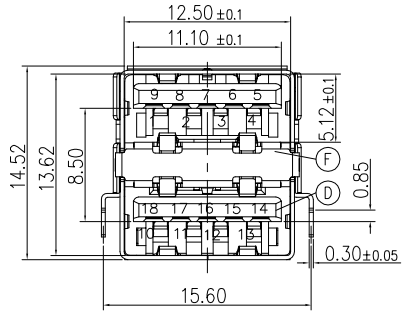


RECOMMENDED P.C.B. LAYOUT  
TOLERANCE (TOP VIEW) ±0.05mm

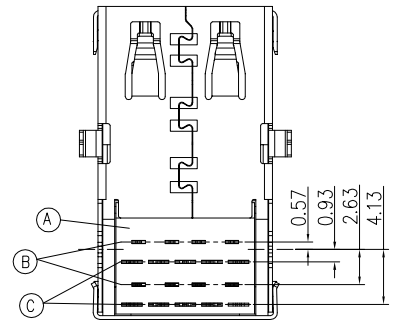
SPECIFICATIONS:

- ELECTRICAL CHARACTERISTICS:
  - CURRENT RATING: 1.8A (VBUS&GND) ; OTHER CONTACTS 0.25A
  - CONTACT RESISTANCE: 30mΩ (INITIAL)MAX.
  - DIELECTRIC WITHSTANDING VOLTAGE: 500V AC FOR 1 MINUTE
  - INSULATION RESISTANCE: 100MΩ MIN. MEASURED BY 500 VDC.
- MECHANICAL CHARACTERISTICS:
  - INSERTION FORCE : 35N MAX. INITIAL.
  - WITHDRAWAL FORCE : 9.8N MIN INITIAL, 8N MIN, FOR AFTER TEST.
- LIFE TEST:5000 CYCLES,
  - OPERATING TEMPERATURE: -55~+85°C
- OTHER GENERAL SPEC TO REFER "USB 3.0 SERICE\_SPEC"
- TO CONFORM TO SINGATRON HAZARDOUS SUBSTANCE FREE SPEC.
- HALOGEN FREE PRODUCT IDENTIFICATION MARK : ⊙
- HALOGEN FREE PRODUCT IDENTIFICATION LABEL ON PACKAGING:
- FOR IR REFLOW ROFILE,PEAK TEMPERATURE:260°C MAX.10SECS.
- PACKAGING : TAPE & REEL.

F  
E  
D  
C  
B  
A



REMARK	PIN NO.:		SIGNAL NAME
USB2 CONTACT PIN	1	10	VBUS
	2	11	D-
	3	12	D+
	4	13	GND
USB3 CONTACT PIN	5	14	SSRX-
	6	15	SSRX+
	7	16	GND_DRAIN
	8	17	SSTX-
	9	18	SSTX+



TABLE

PART NO.:	PLATING & COLOR	
2UB2Y12-231111F	Au 30u" MIN. ON CONTACT AREA MATTE TIN 100u"MIN. ON SOLDER TAIL NICKEL 50u" MIN. UNDER PLATED	BLACK
2UB2Y12-231121F	Au 15u"MIN. ON CONTACT AREA MATTE TIN 100u"MIN. ON SOLDER TAIL NICKEL 50u" MIN. UNDER PLATED	BLACK

G	REAR SHELL	1	STAINLESS STEEL	CLEAN
F	FINGER	1	STAINLESS STEEL	CLEAN
E	SHELL	1	STAINLESS STEEL	ALL OVER NICKEL PLATING
D	HOUSING	1	HI-THERMAL PLASTICUL94V-0	SEE TABLE
C	USB3.0 CONTACT	10	BRASS	SEE TABLE
B	USB2.0 CONTACT	8	COPPER ALLOY	SEE TABLE
A	STOPPER	1	HI-THERMAL PLASTICUL94V-0	SEE TABLE
NO	DESCRIPTION	QTY	MATERIAL	PLATING & COLOR

UNLESS OTHERWISE SPECIFIED TOLERANCES

DECIMALS: ANGLES:  
X :±0.5 X :±2°  
X.X :±0.3 X.X :±1°  
X.XX :±0.2

Singatron Enterprise Co., Ltd.  
**信音企業股份有限公司**

TITLE: **双层USB3.1 DIP TYPE**

DWN: Ye wei PART NO.2UB2Y12-2311X1F

CHKD: Jim-deng SCALE 1:1 UNIT: mm

APVD: Jim-deng SIZE: A1 SHEET: 10F1 REV: C

CUSTOMER COPY

1 2 3 4 5 6 7 8