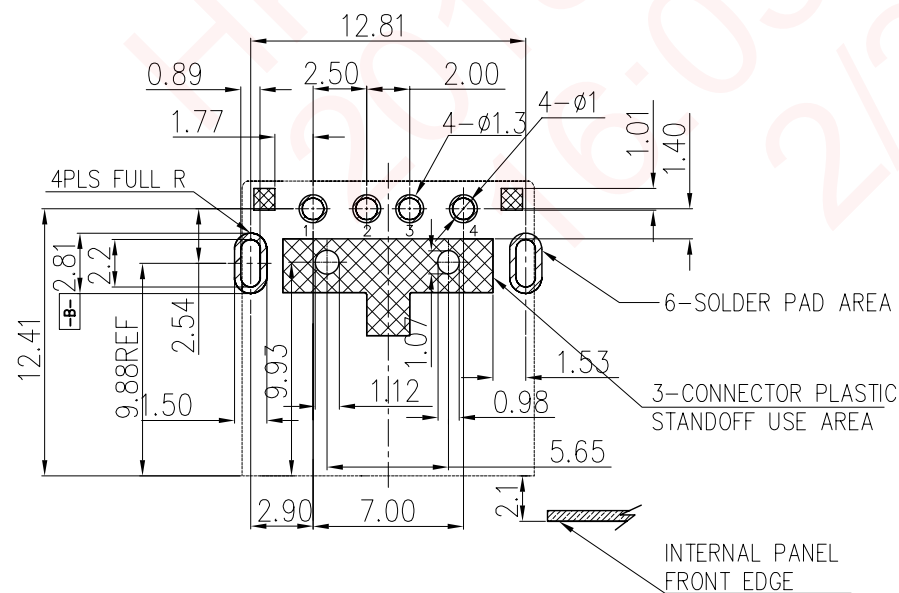
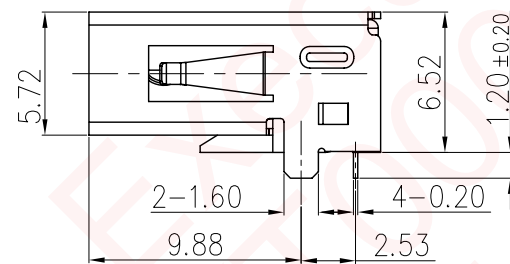
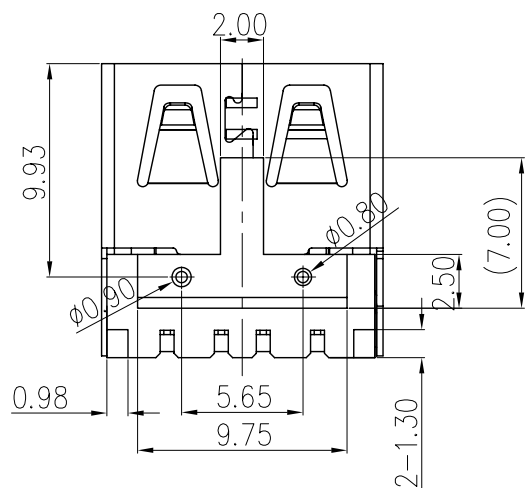
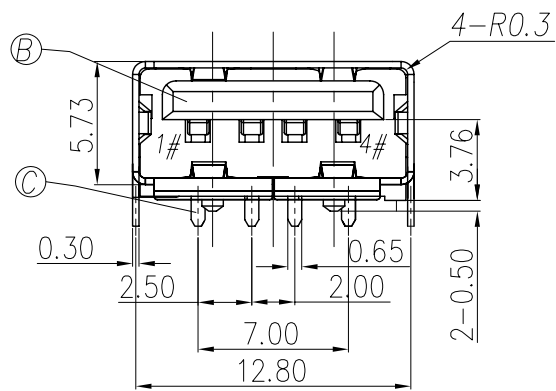
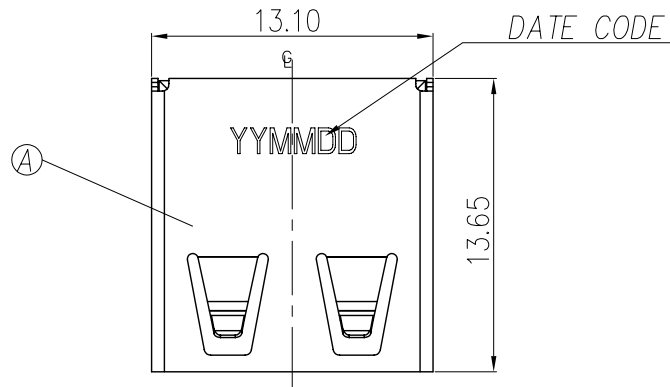


REV.	ECN NO OR DESCRIPTION	REVISED	DATE
A	PRODUCT RELEASE	Longjiang	2015/10/14



RECOMMENDED P.C.B. LAYOUT T=1.20
TOP VIEW (TOLRANCE: ±0.05)

SPECIFICATION

- ELECTRICAL CHARACTERISTICS:
 - VOLTAGE&CURRENT RATING: DC 30V MAX&1.5A
 - CONTACT RESISTANCE: 30mΩ MAX.
 - INSULATION RESISTANCE: 1000MΩ MIN.
 - DIELECTRIC WITHSTAND: 500V AC for 1 MINUTE
 - OPERATING TEMPERATURE: -55°C~+85°C
- MECHANICAL CHARACTERISTICS:
 - INSERT FORCE: 35N MAX.
 - WITHDRAW FORCE: 8N MIN.
- LIFE TEST: 5,000 CYCLES
- OTHER GENERAL SPEC. TO REFER "2UB2Y** SERIES SPEC"
- PACKING: TAPE & REEL
- HALOGEN FREE PRODUCT IDENTIFICATION LABEL ON PACKAGING:
- FOR REFLOW SOLDERING LEAD-FREE PROCESS.

C	CONTACT	4	COPPER ALLOY	Au30u" ON CONTACT AREA AND TIN ON SOLDER TAIL, ALL OVER NICKEL PLATING
B	HOUSING	1	HIGH TEMP, THERMOPLASTIC	BLACK
A	SHELL	1	STEEL	NICKEL PLATING
NO	DESCRIPTION	QTY	MATERIAL	PLATING & COLOR
UNLESS OTHERWISE SPECIFIED TOLERANCES		Singatron Enterprise Co., Ltd. 信音企業股份有限公司		
DECIMALS: ANGLES:		TITLE: USB A/FEMALE 90°		
X	:±0.5	X	:±2°	DWN Longjiang-Coo 15/10/16
X.X	:±0.3	X.X	:±1°	CHKD Yan-Zhong 15/10/16
X.XX	:±0.2	APVD Justin-Kuo 15/10/16	PART NO.: 2UB2Y19-002111F	SCALE 3:1 UNIT: mm
		SIZE: A3	SHEET: 10F1	REV: A
CUSTOMER COPY				

2015/10/19 08:40:58
文件號: RD-06-043-A