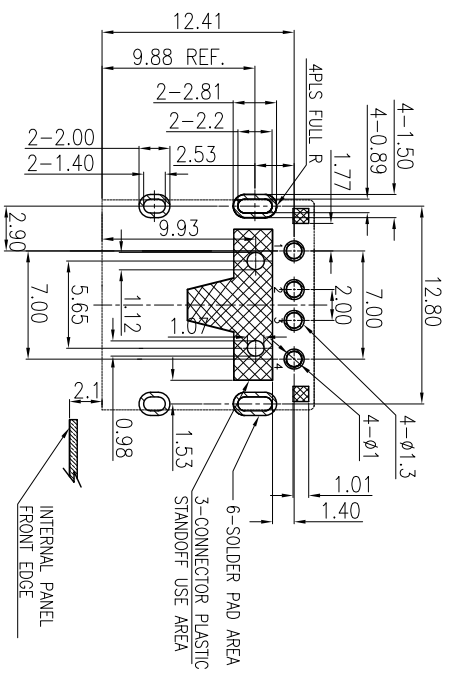
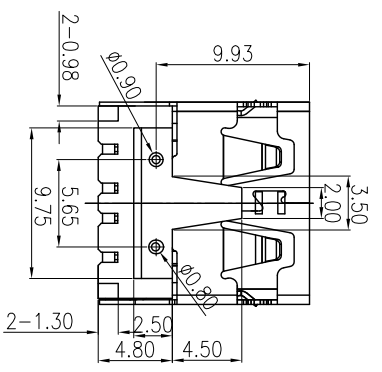
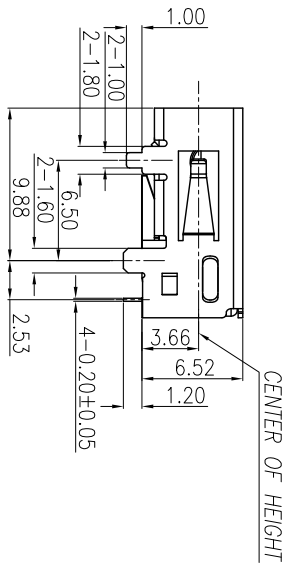
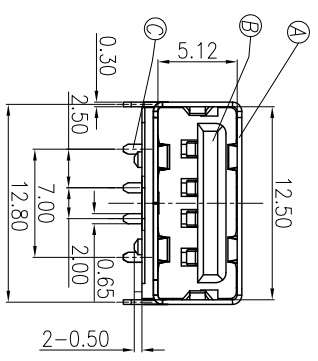
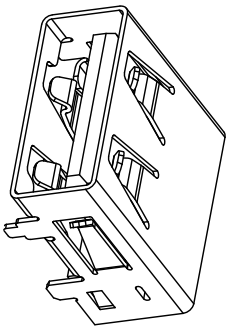
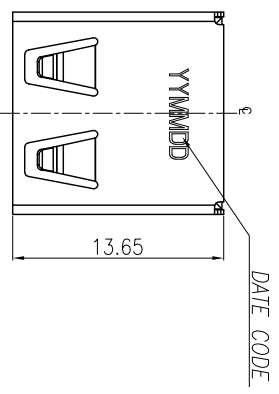


REV.	ECN NO. OR DESCRIPTION	REVISED	DATE
A	NEW RELEASE	ZW	11/15'12
B	ECN:C140178 MODIFY DRAWING	LONJIANJ14/08/19	



RECOMMENDED P.C.B. LAYOUT T=1.20  
TOP VIEW (TOLERANCE: ±0.05)

- SPECIFICATION**
- 1. ELECTRICAL CHARACTERISTICS:**
- 1-1. VOLTAGE & CURRENT RATING: DC 30V MAX & 3A MAX.
  - 1-2. CONTACT RESISTANCE: 30mΩ MAX.
  - 1-3. INSULATION RESISTANCE: 1000MΩ MIN.
  - 1-4. DIELECTRIC WITHSTAND: 500V AC for 1 MINUTE
  - 1-5. OPERATING TEMPERATURE: -55°C ~ +85°C
- 2. MECHANICAL CHARACTERISTICS:**
- 2-1. INSERT FORCE: 10N~25N INITIAL, 10N~20N AFTER LIFE TEST.
  - 2-2. WITHDRAW FORCE: 10N~25N INITIAL, 10N~20N AFTER LIFE TEST
- 3. LIFE TEST: 5000 CYCLES
  - 4. OTHER GENERAL SPEC. TO REFER "2UB2Y19-100121F SPEC"
  - 5. PACKING: TAPE & REEL
  - 6. HALOGEN FREE PRODUCT IDENTIFICATION
  - 7. FOR REFLOW SOLDERING LEAD-FREE PROCESS.
  - 8. PRODUCT NO:

2UB2Y19-1 0 0 1 2 1 F

CONTACT PLATING: 00=g/f

HALOGEN CODE: F=HALOGEN FREE

PACKAGE TYPE: 1=TAPE&REEL

DURABILITY: 1=5000 CYCLES

C	CONTACT	4	COPPER ALLOY	ROD FLASH PLATED ON CONTACT AREA SIL PLATED ON SOLDER HAL. HULL OVER IN PLATED
B	HOUSING	1	HIGH TEMP PLASTIC THERMOPLASTIC 0194-V0	BLACK
A	SHELL	1	STEEL	NICKEL PLATING
NO	DESCRIPTION	QTY	MATERIAL	PLATING & COLOR

UNLESS OTHERWISE SPECIFIED TOLERANCES

DECIMALS: ANGLES:

X : ±0.5 X : ±2°  
X.X : ±0.3 X.X : ±1'  
X.XX : ±0.2

TITLE: USB A/FEMALE 90° (T字型)

DWN: 14/8/20 PART NO.: 2UB2Y19-100121F

CHKD: 14/8/20 SCALE N/A UNIT: mm

APVD: 14/8/20 SIZE: A3 SHEET: 10F1 REV: B

信音企業股份有限公司  
Singaton Enterprise Co., Ltd.  
CUSTOMER COPY