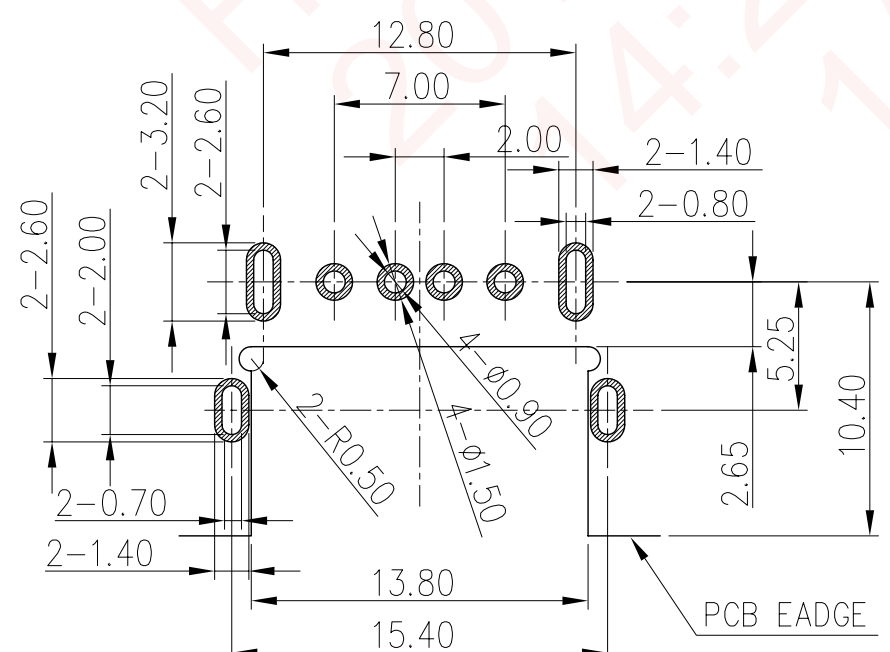
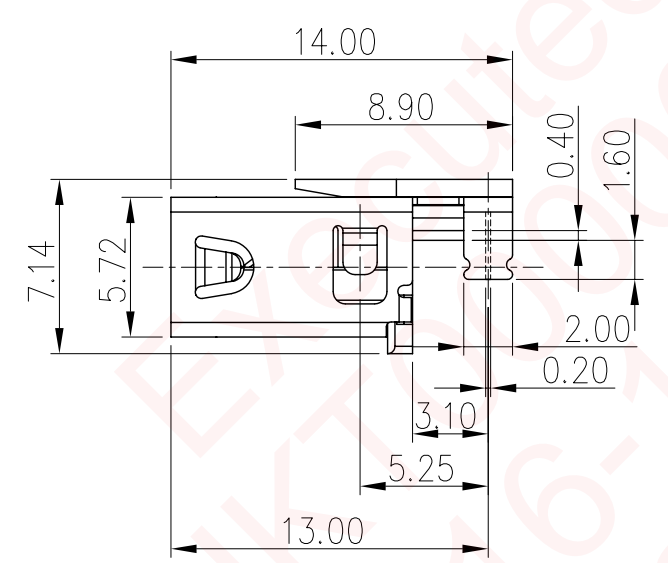
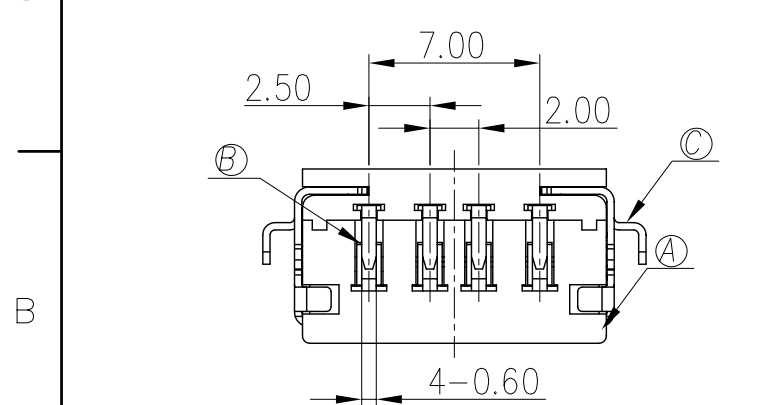
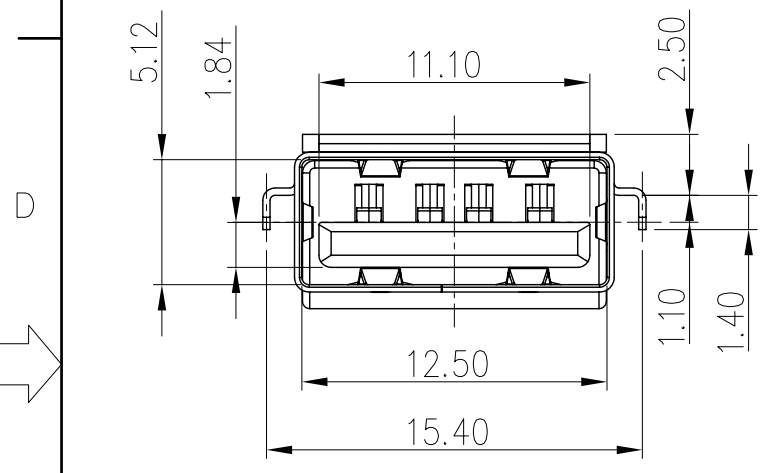
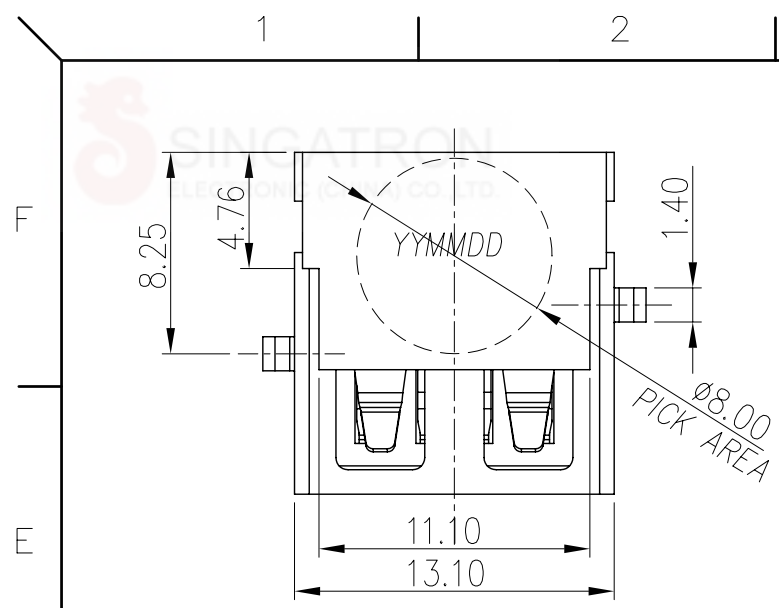


REV.	ECN NO OR DESCRIPTION	REVISED	DATE
A	PRODUCT RELEASE	BILL	2016/10/12



RECOMMENDED P.C.B. LAYOUT
TOLERANCE (TOP VIEW) ±0.05mm

SPECIFICATIONS:

- ELECTRICAL CHARACTERISTICS:
 - RATING: 30V,1.5A.
 - CONTACT RESISTANCE: 30 MILLIOHMS MAX. FOR INITIAL,
 - INSULATION RESISTANCE: 1000 MEGAOHMS MIN. MEASURED BY 500 VDC.
 - DIELECTRIC WITHSTANDING VOLTAGE: 500V RMS AFTER 1 MINUTE.
- MECHANICAL CHARACTERISTICS:
 - INSERTION FORCE : 3.5 KGF MAX.
 - WITHDRAWAL FORCE : 1.0 KGF MIN.
- LIFE TEST: 1,500 CYCLES MIN.
- OTHER GENERAL SPEC. TO REFER "2UB2Y23-SERIES SPEC".
- TO CONFORM TO SINGATRON HAZARDOUS SUBSTANCE FREE SPEC.
- HALOGEN FREE PRODUCT IDENTIFICATION MARK ON PRODUCT:
- HALOGEN FREE PRODUCT IDENTIFICATION LABEL ON PACKAGING:
- FOR REFLOW SOLDERING LEAD-FREE PROCESS.
- PACKAGING: TAPE & REEL;

C	SHELL	1	COPPER ALLOY	NICKEL PLATING
B	CONTACT	4	COPPER ALLOY	G/F+Pd/Ni ON CONTACT AREA TIN PLATING ON SOLD TAIL NICKEL PLATING ALL OVER
A	HOUSING	1	HIGH TEMPERATURE MATERIAL	BLACK
NO	DESCRIPTION	QTY	MATERIAL	PLATING & COLOR
UNLESS OTHERWISE SPECIFIED TOLERANCES		Singatron Enterprise Co., Ltd. 信音企業股份有限公司		
DECIMALS: ANGLES:		TITLE: USB 2.0		
X	:±0.5	X	:±2°	DWN Bill-Zhang 16/10/24 PART NO. 2UB2Y23-001111F
X.X	:±0.3	X.X	:±1°	CHKD Justin-Kuo 16/10/24 SCALE :1 UNIT: mm
X.XX	:±0.2	APVD Max-Moi 16/10/24	SIZE: A3	SHEET:1 OF 1 REV: 1
CUSTOMER COPY				