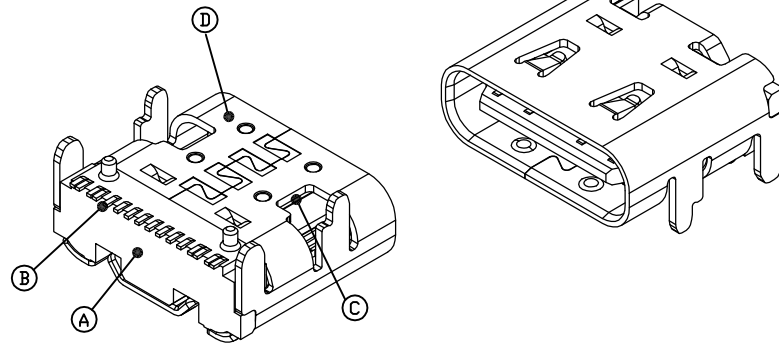
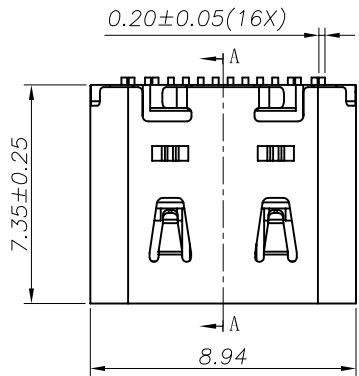
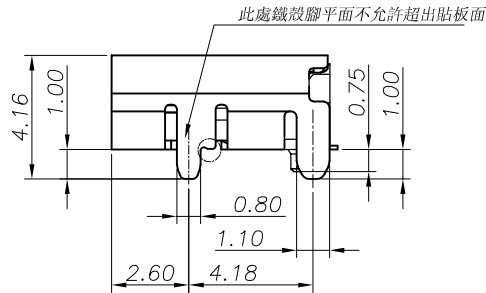
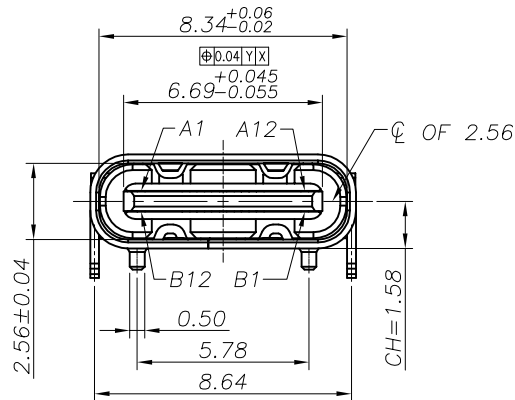


ONLY FOR GN

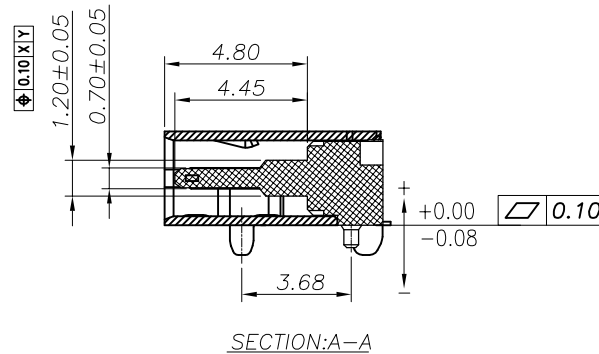
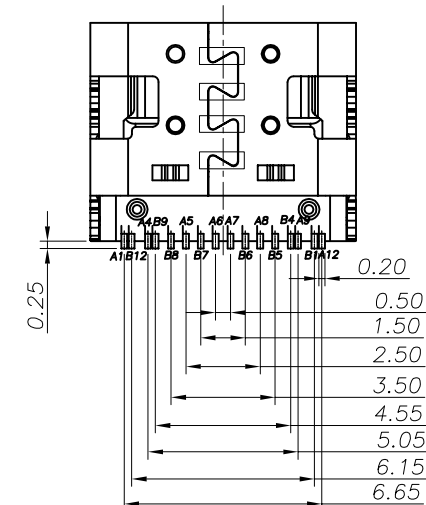
REV.	ECN NO OR DESCRIPTION	REVISED	DATE
A	PRODUCT RELEASE	YEWEI	2021.06.23



NOTE:  
 1.MECHANICAL PERFORMANCE,  
 1-1.INSERTION FORCE: 0.5~2.0kgf.  
 1-2.REMOVAL FORCE: 0.8kgf~2.0kgf.  
 1-3.DURABILITY: 10000 CYCLES.  
 2.ELECTRICAL PERFORMANCE,  
 2-1. CURRENT RATING:5.0A  
 VOLTAGE RATING:5.0V



- 2-2. LLCR:  
 VBUS & GND PINS AND OTHER PINS: 40mΩ/PIN MAX.  
 SHIELD: 50mΩ/MAX.  
 LLCR MAX. CHANGE OF ALL PINS: 10mΩ.
- 2-3.INSULATION RESISTANCE: 100MΩ MIN
- 2-4.DIELECTRIC WITHSTAND VOLTAGE,AC 500V FOR 1 MINUTE.
- 3. ENVIRONMENTAL PERFORMANCE:  
 OPERATING TEMPERATURE: -25°C~+85°C.
- 4.IR REFLOW:  
 THE PEAK TEMPERATURE ON THE BOARD SHALL  
 BE MAINTAINED FOR 10 SECONDS AT 260°C.
- 5.PACKAGE:SEE"2UB2Y27-C00111F"PACKAGE.
- 6.OTHER GENERAL SPEC.TO REFER"USB TYPE C Series
- 7. PACKAGING : REEL.



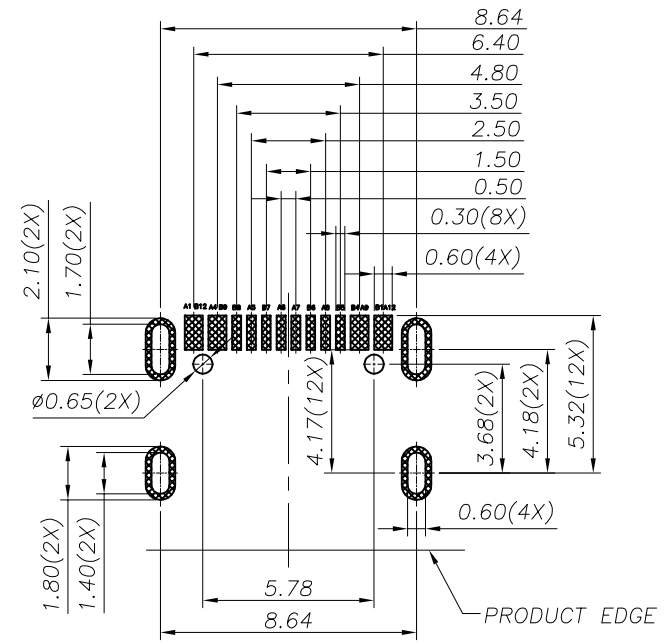
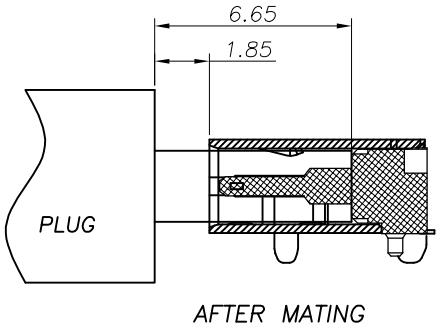
TID Number: 3965

D	FRONT SHELL	1	SUS304-1/2H T=0.30MM	NICKEL 30u" MIN. UNDER PLATED
C	MID PLATE	1	SUS301 T=0.15MM	CLEAR ONLY
B	TERMINAL	16	C7025 T=0.15MM	MINIMUM 30 pinch (0.76 μm) GOLD (Au) ON CONTACT AREA GOLD FLASH ON SOLDER TAIL ALL OVER IN 50u" Max. PLATING
A	HOUSING	1	LCP UL94V-0	BLACK
NO	DESCRIPTION	QTY	MATERIAL	PLATING & COLOR

UNLESS OTHERWISE SPECIFIED TOLERANCES		Singatron Enterprise Co., Ltd. 信音企業股份有限公司		
DECIMALS:	ANGLES:	TITLE	USB CF 16PIN (L=7.35) WITH POST	
X :±0.5	X :±2°	DWN	Ye Wei	PART NO.2UB2Y27-C00111F
X.X :±0.3	X.X :±1°	CHKD	Jim-Deng	SCALE 1:1 UNIT: mm
X.XX :±0.2		APVD	Jim-Deng	SIZE: A1 SHEET: 10F2 REV: A
CUSTOMER COPY				

ONLY FOR GN

REV.	ECN NO OR DESCRIPTION	REVISED	DATE
A	PRODUCT RELEASE	YEWEL	2021.06.23



USB TYPE-C PIN ASSIGNMENTS

PIN NUMBER	SIGNAL NAME	PIN NUMBER	SIGNAL NAME
A1	GND	B12	GND
A4	VBUS	B9	VBUS
A5	CC1	B8	SBU2
A6	Dp1	B7	Dn2
A7	Dn1	B6	Dp2
A8	SBU1	B5	CC2
A9	VBUS	B4	VBUS
A12	GND	B1	GND

RECOMMENDED PCB LAYOUT(TOP VIEW)  
THICKNESS 0.80MM;DEFAULT TOLERANCE:±0.05

TID Number: 3965

UNLESS OTHERWISE SPECIFIED TOLERANCES		Singatron Enterprise Co., Ltd. 信音企業股份有限公司			
DECIMALS: X :±0.5 X.X :±0.3 X.XX :±0.2		ANGLES: X :±2° X.X :±1°		TITLE: USB CF 16PIN (L=7.35) WITH POST DWN Ye Wei PART NO.2UB2Y27-C00111F CHKD Jim-Deng SCALE 1:1 UNIT: mm APVD Jim-Deng SIZE: A1 SHEET: 20F2 REV: A	
CUSTOMER COPY					