

REV.	ECN NO	OR DESCRIPTION	REVISED	DATE
A	PRODUCT	RELEASE	Ye wei	2021.12.21
B	ECN NO.	C202306-C02	Ye wei	2023.07.07

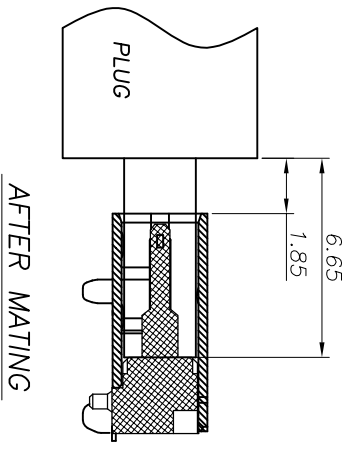
NOTE:

- MECHANICAL PERFORMANCE:
 - 1-1. INSERTION FORCE: 0.5~2.0kgf.
 - 1-2. REMOVAL FORCE: 0.8kgf~2.0kgf.
 (THE PLUG THAT MEET THE TYPE-C ASSOCIATION SPECIFICATIONS)
 - 1-3. INSERTION FORCE: 2N Max.
 - 1-4. REMOVAL FORCE: 1N Max.
 - (MATING PLUG: 2UP2Y19-C03011F)
 - 1-5. DURABILITY: 10000 CYCLES.
- ELECTRICAL PERFORMANCE:
 - 2-1. CURRENT RATING: 5.0A VOLTAGE RATING: 5.0V
 - 2-2. LCCR: VBUS & GND PINS AND OTHER PINS: 40mA/PIN MAX. SHIELD: 50mA/MAX. LCCR MAX. CHANGE OF ALL PINS: 10mΩ.
 - 2-3. INSULATION RESISTANCE: 100MΩ MIN
 - 2-4. DIELECTRIC WITHSTAND VOLTAGE: AC 100V FOR 1 MINUTE.
 - ENVIRONMENTAL PERFORMANCE:
 3. OPERATING TEMPERATURE: -25°C~+85°C.
 4. I.R. REFLOW: THE PEAK TEMPERATURE ON THE BOARD SHALL BE MAINTAINED FOR 10 SECONDS AT 260°C.
 - OTHER GENERAL SPEC. TO REFER "USB TYPE C Series
 - PACKAGING : REEL.

TID Number: 6737

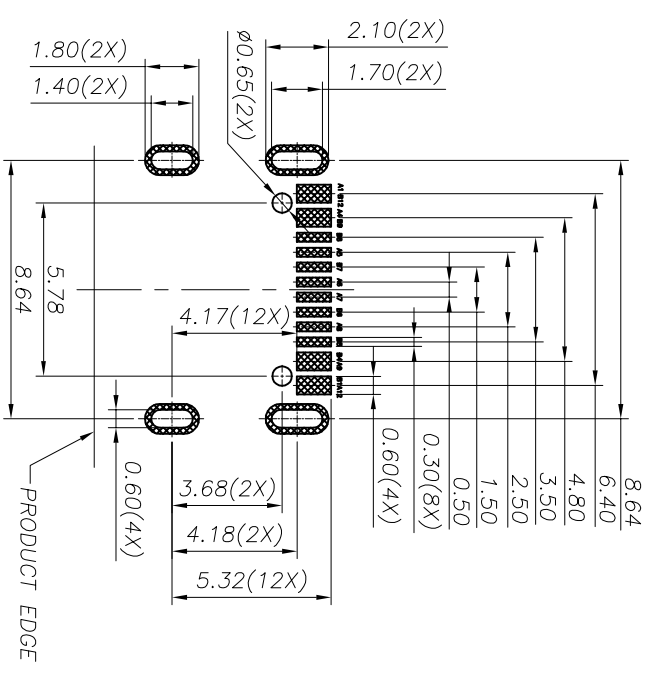
D	FRONT SHELL	1	SUS304-1/2H T=0.30MM	NICKEL 30μ" MIN. UNDER PLATED
C	MID PLATE	1	SUS301 T=0.15MM	CLEAR ONLY
B	TERMINAL	16	C7025 T=0.15MM	MINIMUM 25 μm (0.25 μm) GOLD (Au) ON CONTACT PADS GOLD FINISH ON SOLDER TABS ALL OVER IN 50μ" MIN. PLATING GOLD FINISH GOLD WIREBOND
A	HOUSING	1	LCP UL94V-0	BLACK
NO	DESCRIPTION	QTY	MATERIAL	PLATING & COLOR
UNLESS OTHERWISE SPECIFIED TOLERANCES				
DECIMALS: ANGLES:				
X	:±0.5	X	:±2°	
X.X	:±0.3	X.X	:±1°	
X.XX	:±0.2			
TITLE	USB CF 16PIN (L=7.35) WITH POST			
DWN	Ye wei			
CHKD	Jim-deng			
APVD	Jim-deng			
TITLE	Singatron Enterprise Co., Ltd. 信晉企業股份有限公司			
PART NO.	2UB2Y27-C00211F			
SCALE	1:1			
UNIT	mm			
SHEET	10F2			
REV.	B			
CUSTOMER COPY				

REV.	ECN NO. OR DESCRIPTION	REVISED	DATE
A	PDR NO.:C210531-4A	Ye wei	2021.12.21
B	ECN NO.:C202306-C02	Ye wei	2023.07.07



USB TYPE-C PIN ASSIGNMENTS

PIN NUMBER	SIGNAL NAME	PIN NUMBER	SIGNAL NAME
A1	GND	B12	GND
A4	VBUS	B9	VBUS
A5	CC1	B8	SBU2
A6	Dp1	B7	Dn2
A7	Dn1	B6	Dp2
A8	SBU1	B5	CC2
A9	VBUS	B4	VBUS
A12	GND	B1	GND



RECOMMENDED PCB LAYOUT(TOP VIEW)
 THICKNESS: 0.80MM;DEFAULT TOLERANCE:±0.05

TID Number: 6737

UNLESS OTHERWISE SPECIFIED TOLERANCES

DECIMALS:	ANGLES:
X :±0.5	X :±2°
X.X :±0.3	X.X :±1'
X.XX :±0.2	

Singatron Enterprise Co., Ltd.
信晉企業股份有限公司

TITLE	USB CF 16PIN (L=7.35) WITH POST		
DWN	Ye wei	PART NO.2UB2Y27-C00211F	
CHKD	Jim-deng	SCALE 1:1	UNIT: mm
APVD	Jim-deng	SIZE: A1	SHEET: 20F2
			REV: B

CUSTOMER COPY