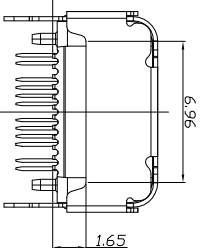
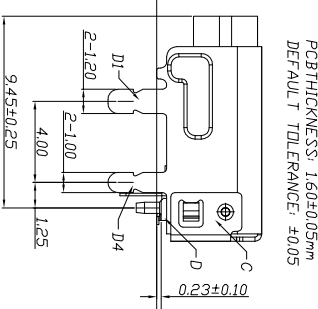
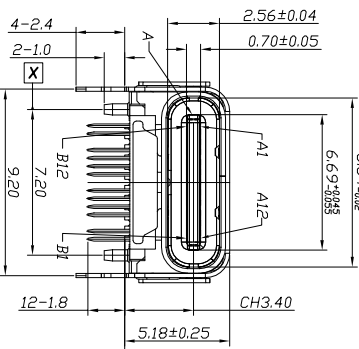
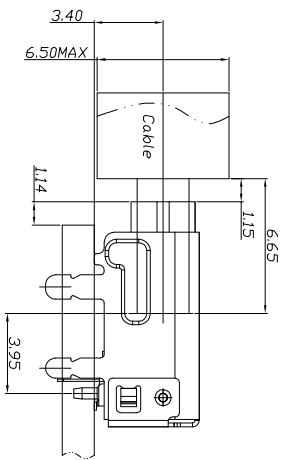
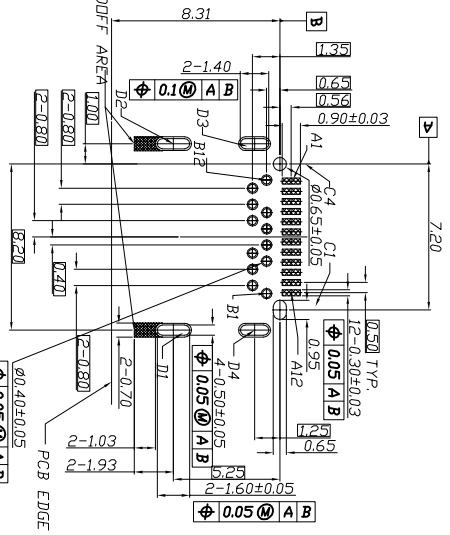
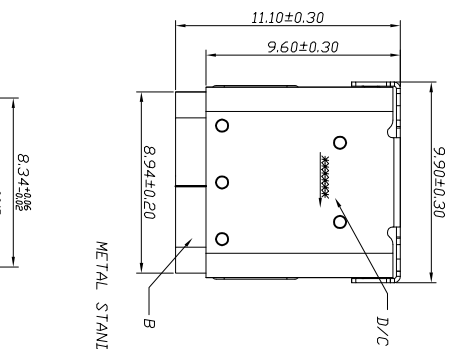


REV	ECN NO OR DESCRIPTION	REVISED DATE
A	PRODUCT RELEASE	Ye Wei 2022/09/05



RECOMMENDED PCB LAYOUT COMPONENT SIDE

PCB THICKNESS: 1.60±0.05mm

DEFAULT TOLERANCE: ±0.05

PIN ASSIGNMENTS:

PIN No.	SIGNAL NAME	PIN No.	SIGNAL NAME
A1	GND	B12	GND
A2	SSTXp1	B11	SSRXp1
A3	SSTXn1	B10	SSRXn1
A4	Vbus	B9	Vbus
A5	CC1	B8	RFU2
A6	Dp1	B7	Dn2
A7	Dn1	B6	Dp2
A8	RFU1	B5	CC2
A9	Vbus	B4	Vbus
A10	SSRXn2	B3	SSTXn2
A11	SSRXp2	B2	SSTXp2
A12	GND	B1	GND

- NOTES:
- ELECTRICAL:
 - CONTACT CURRENT RATING: 5.0A FOR VBUS AND GND. (i.e., Pins A4,A9,B4,B9) 1.25A FOR Vconn AND GND. (i.e., Pins B5,A1,A12,B1,B12) 0.25A FOR ALL THE OTHERS CONTACTS.
 - INSULATION RESISTANCE: 100 MEGOHMS MIN. AT 250VDC.
 - DIELECTRIC WITHSTANDING VOLTAGE: 100VAC MIN.
 - ALLOW LEVEL CONTACT RESISTANCE: INITIAL 40mΩ MAX. AFTER 50mΩ MAX.
 - MECHANICAL CHARACTERISTICS:
 - INSERTION FORCE: 5N~20N.
 - EXTRACTION FORCE: 2~2 EXTRACTION FROM: 8N~20N FROM: 1 TO 30 CYCLES. 6~20N FROM 30 TO 10000 CYCLE.
 - DURABILITY: 10,000 MATING CYCLES. OPERATING TEMPERATURE: -55°C TO +85°C.
 - OTHER GENERAL SPEC. TO REFER: 2UBZ28-C0X111F SPEC.
 - HAZARDOUS FREE PRODUCT IDENTIFICATION LABEL ON PACKAGING.
 - TO CONFORM TO SINGATRON HAZARDOUS SUBSTANCE FREE SPEC.
 - DATE RATE: 100bps PER LANE (TOTAL 200bps)

NO.	DESCRIPTION	QTY	MATERIAL	PLATING & COLOR
E	CONTACT	24	COPPER ALLOY	15μT MIN Au ON CONTACT AREA GOLD FLASH ON SOLDER TAIL
D	I/M	1	HIGHTEMP-PLASTIC UL 94-V0	ALL OVER IN 30μ MIN PLATING BLACK
C	OUTER SHELL	1	STAINLESS STEEL	ALL OVER IN UNDER PLATED
B	INNER SHELL	1	STAINLESS STEEL	CLEAN
A	MID SHELL	1	STAINLESS STEEL	CLEAN

UNLESS OTHERWISE SPECIFIED TOLERANCES

DECIMALS: ANGLES:

X : ±0.5 X : ±2'
X.X : ±0.3 X.X : ±1'
X.XX : ±0.2

Singatron Enterprise Co., Ltd.
信晋企业股份有限公司

TITLE: USB Type-C Connector 24PIN CH=3.40mm
DWN: Ye wei
PART NO.: 2UBZ28-C05111F
CHKD: Jim-deng SCALE: 1:1 UNIT: mm
APVD: Jim-deng SIZE: A3 SHEET: 1 OF 1 REV: A

CUSTOMER COPY

1 2 3 4 5 6 7 8