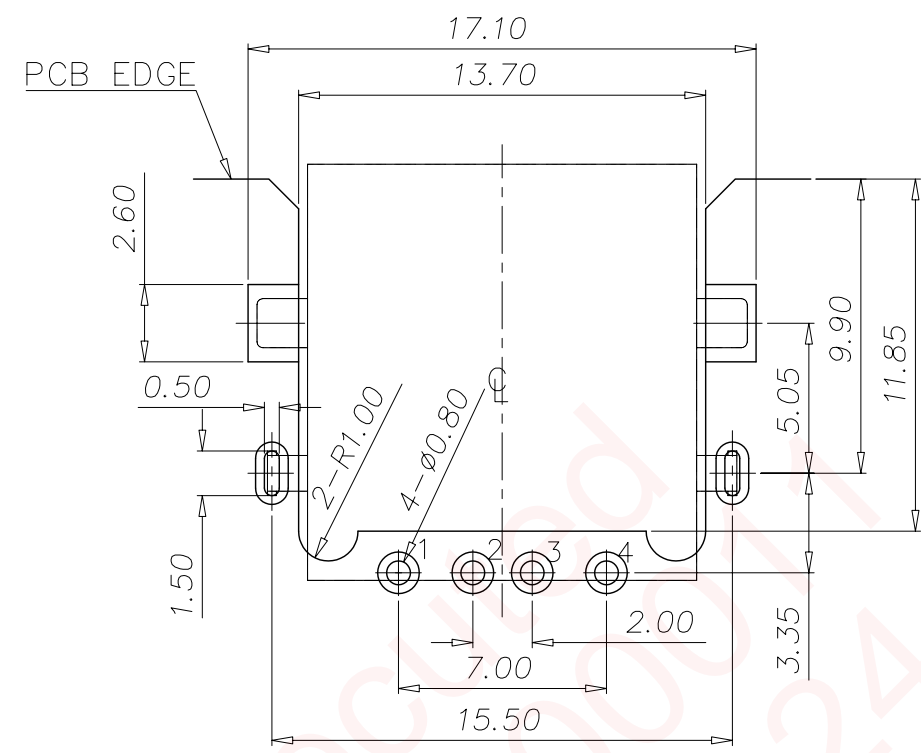
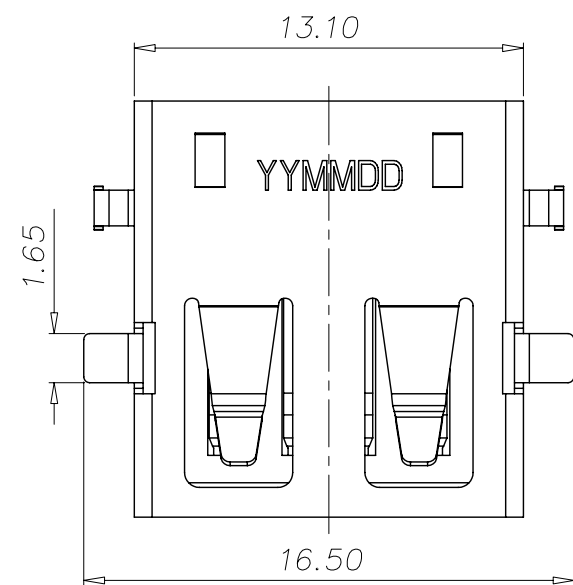
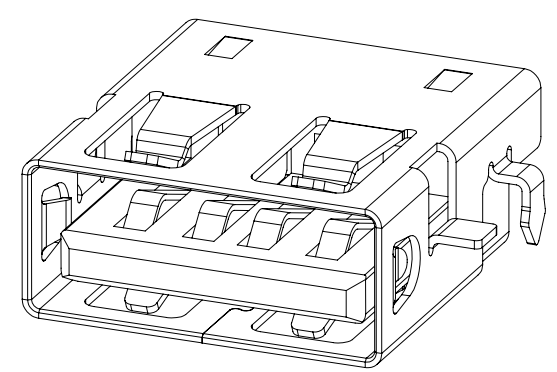
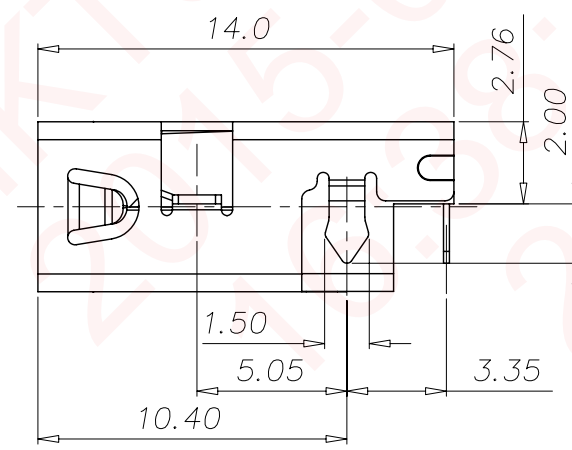
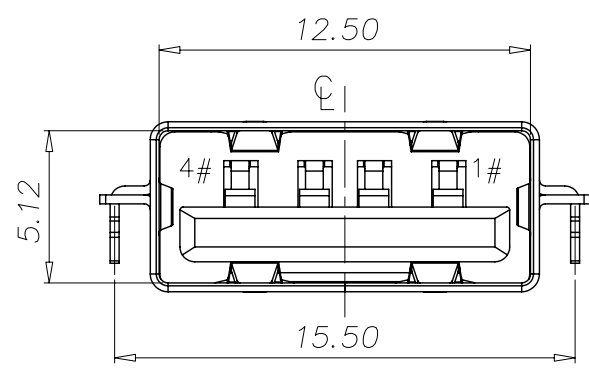


REV.	ECN NO OR DESCRIPTION	REVISED	DATE
A	PRODUCT RELEASE	Longjiang	2015.06.15



RECOMMENDED P.C.B. LAYOUT T=1.20mm
TOLERANCE (TOP VIEW) ±0.05mm



SPECIFICATION

- ELECTRICAL CHARACTERISTICS:
 - VOLTAGE&CURRENT RATING: DC 30V MAX.&1.5A
 - CONTACT RESISTANCE: 30mΩ MAX.
 - INSULATION RESISTANCE: 100MΩ MIN.
 - DIELECTRIC WITHSTAND: 500V AC for 1 MINUTE
 - OPERATING TEMPERATURE: -55°C~+85°C
- MECHANICAL CHARACTERISTICS:
 - INSERTION FORCE: 35N MAX.
 - WITHDRAWAL FORCE: 10N MIN.
- LIFE TEST: 1500 CYCLES
- OTHER GENERAL SPEC. TO REFER "2UB2Y31-001111F SPEC".
- TO CONFORM TO SINGATRON HAZARDOUS SUBSTANCE FREE SPEC.
- HALOGEN FREE PRODUCT IDENTIFICATION MARK ON PRODUCT: ©
- HALOGEN FREE PRODUCT IDENTIFICATION LABEL ON PACKAGING: ©
- FOR REFLOW SOLDERING LEAD-FREE PROCESS.
- PACKAGING: TAPE & REEL.

NO	DESCRIPTION	QTY	MATERIAL	PLATING & COLOR
C	HOUSING	1	HIGH TEMP. THERMOPLASTIC UL 94V-0	BLACK
B	SHELL	1	BRASS 0.3T	NICKEL PLATING
A	CONTACT	4	COPPER ALLOY 0.2T	G/E ON CONTACT AREA TIN ON SOLDER TAIL, ALL OVER NICKEL PLATING

UNLESS OTHERWISE SPECIFIED TOLERANCES		Singatron Enterprise Co., Ltd. 信音企業股份有限公司		
DECIMALS:	ANGLES:	TITLE	USB 2.0 CONNECYOR	
X : ±0.5	X : ±2°	DWN	Longjiang-Cao 15/6/18	PART NO. 2UB2Y31-001111F
X.X : ±0.3	X.X : ±1°	CHKD	Zjz-Zhou 15/6/18	SCALE 4:1 UNIT: mm
X.XX : ±0.2		APVD	Zjz-Zhou 15/6/18	SIZE: A3 SHEET: 1 OF 1 REV: A
CUSTOMER COPY				