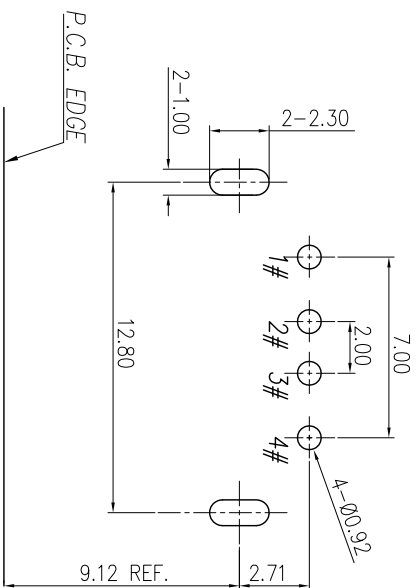
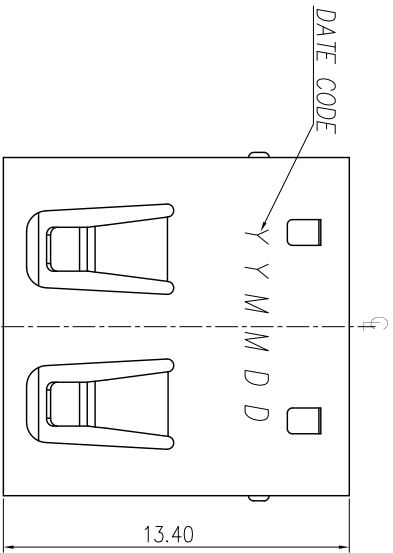
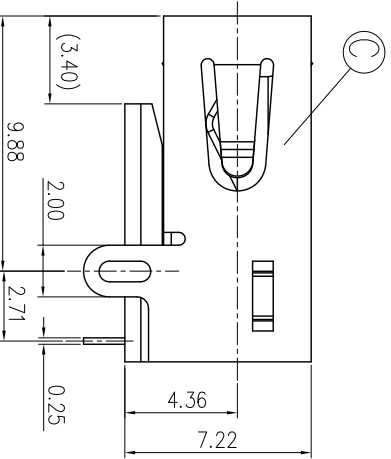
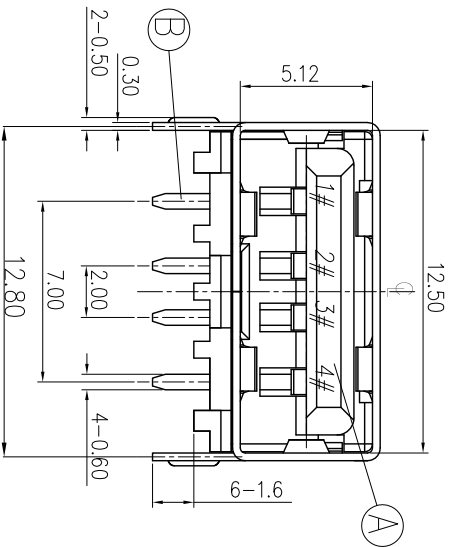



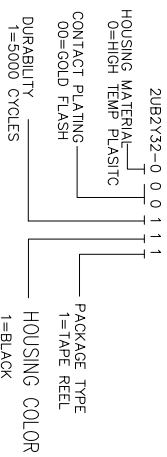
REV.	ECN NO. OR DESCRIPTION	REVISED	DATE
A	PRODUCTED RELEASED	RobinHe	2011.03.16
B	ECN No. C120284 ADD DIM	ZW	2012.11.14



RECOMMENDED P.C.B. LAYOUT T=1.20  
TOP VIEW (TOLERANCE: ±0.05)



- SPECIFICATION**
- ELECTRICAL CHARACTERISTICS:
    - VOLTAGE & CURRENT RATING: DC 30V MAX & 1.5A
    - CONTACT RESISTANCE: 30mΩ MAX.
    - INSULATION RESISTANCE: 1000MΩ MIN.
    - DIELECTRIC WITHSTAND: 500V AC for 1 MINUTE
    - OPERATING TEMPERATURE: -55°C ~ +85°C
  - MECHANICAL CHARACTERISTICS:
    - INSERT FORCE: 35N MAX.
    - WITHDRAW FORCE: 10N MIN.
    - LIFE TEST: 5000 CYCLES
    - OTHER GENERAL SPEC. TO REFER "2UB2Y\*\* SERIES SPEC"
    - PACKING: TAPE & REEL
    - HALOGEN FREE PRODUCT IDENTIFICATION
    - PRODUCT NO. 



NO	DESCRIPTION	QTY	MATERIAL	PLATING & COLOR
C	SHELL	1	STEEL 0.30t	NICKEL PLATING OVERALL
B	CONTACT	4	COPPER ALLOY 0.25t	G/F PLATING ON CONTACT AREA NICKEL UNDER PLATING OVERALL
A	INSULATOR	1	THERMOPLASTIC	BALCK

UNLESS OTHERWISE SPECIFIED TOLERANCES

DECIMALS: ANGLES:

X : ±0.5 X : ±2°  
 X.X : ±0.3 X.X : ±1°  
 X.XX : ±0.2

TITLE		USB A/F 90° DIP TYPE CONNECTOR	
DMN	ZW	PART NO.	2UB2Y32-000111
CHKD	KIM	SCALE N/A	UNIT: mm
APVD	SEAN	SIZE: A3	SHEET: 10/1
		REV:	B

 Singatron Enterprise Co., Ltd.  
信亨企業股份有限公司

CUSTOMER COPY

A B C D E F

1

2

3

4

5

6

7

8