

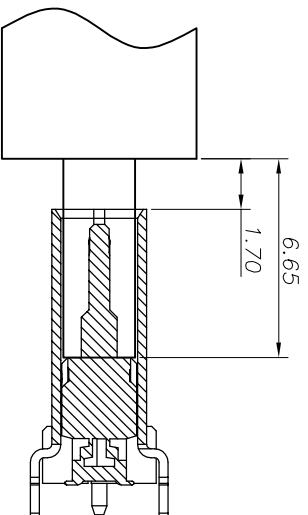
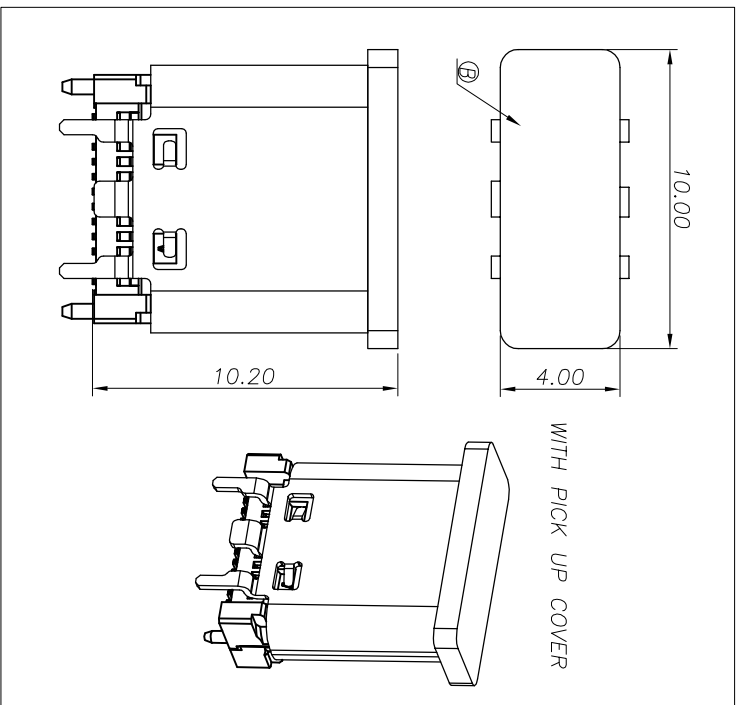
NOTES:

1. MECHANICAL PERFORMANCE.
  - 1-1. INSERTION FORCE: 0.5~2.0kgf.
  - 1-2. REMOVAL FORCE: 0.8kgf~2.0kgf.
  - 1-3. DURABILITY: 10000 CYCLES.
2. ELECTRICAL PERFORMANCE.
  - 2-1. VOLTAGE RATING: 5 V DC/AC (RMS. max)
  - 2-2. LCR: VBUS & GND PINS AND OTHER PINS: 40mΩ/PIN MAX. SHIELD: 50mΩ/MAX. LCR MAX. CHANGE OF ALL PINS: 10mΩ.
  - 2-3. INSULATION RESISTANCE: 100MΩ MIN
  - 2-4. DIELECTRIC WITHSTAND VOLTAGE: AC 100V FOR 1 MINUTE.
3. ENVIRONMENTAL PERFORMANCE:
  - OPERATING TEMPERATURE: -25°C~+85°C.
  - AIR REFLOW: THE PEAK TEMPERATURE ON THE BOARD SHALL BE MAINTAINED FOR 10 SECONDS AT 260°C.
5. OTHER GENERAL SPEC. TO REFER "USB TYPE C Series"
6. HALOGEN FREE PRODUCT IDENTIFICATION LABEL ON PACKAGING:

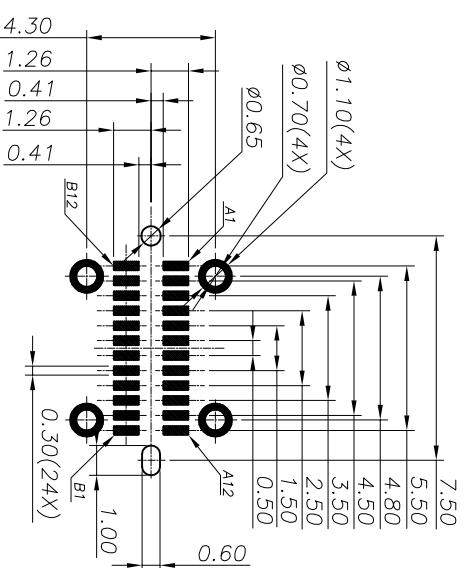


F	SHELL	1	STAINLESS STEEL	NICKEL-PLATING
E	EMI PLATE	1	STAINLESS STEEL	CLEAR ONLY
D	MID PLATE	1	STAINLESS STEEL	CLEAR ONLY
C	TERMINAL	24	COPPER ALLOY	GOLD FLASH CONTACT AREA WHITE FIN. ON SOLDER TAIL NICKEL 30U" MIN. UNDER PLATED
B	PICKUP COVER	1	HIGH TEMPERATURE RESISTANT PLASTIC UL94V-0	BLACK
A	HOUSING	1	HIGH TEMPERATURE RESISTANT PLASTIC UL94V-0	BLACK
UNLESS OTHERWISE SPECIFIED TOLERANCES		QTY	MATERIAL	PLATING & COLOR
DECIMALS:		TITLE	Singatron Enterprise Co., Ltd. 信晉企業股份有限公司	
X	:±0.5	ANGLES:	USB CF VERTICAL(L=9.2)	
X.X	:±0.3		DWN	Ye Wei
X.XX	:±0.2		CHKD	Jim-Deng
			APVD	Jim-Deng
CUSTOMER COPY				

REV.	ECN NO.	OR DESCRIPTION	REVISED	DATE
A		PRODUCT RELEASE	Ye wei	2022.05.20



AFTER MATING



RECOMMENDED PCB LAYOUT(TOP VIEW)  
THICKNESS 1.0±0.10MM;DEFAULT TOLERANCE:±0.05

USB TYPE-C PIN ASSIGNMENTS

PIN NUMBER	SIGNAL NAME	PIN NUMBER	SIGNAL NAME
A1	GND	B12	GND
A2	SSTXp1	B11	SSRXp1
A3	SSTXn1	B10	SSRXn1
A4	Vbus	B9	Vbus
A5	CC1	B8	SBU2
A6	Dp1	B7	Dn2
A7	Dn1	B6	Dp2
A8	SBU1	B5	CC2
A9	Vbus	B4	Vbus
A10	SSRXn2	B3	SSTXn2
A11	SSRXp2	B2	SSTXp2
A12	GND	B1	GND

UNLESS OTHERWISE SPECIFIED TOLERANCES



Singatron Enterprise Co., Ltd.  
信音企業股份有限公司

TITLE	USB CF VERTICAL(L=9.2)
DWN	Ye Wei
CHKD	Jim-Deng
APVD	Jim-Deng

DECIMALS:	ANGLES:
X :±0.5	X :±2°
X.X :±0.3	X.X :±1°
X.XX :±0.2	

PART NO.	SCALE	UNIT	SHEET	REV.
NO.2UB2Y34-C00011F	1:1	mm	20F2	A

CUSTOMER COPY

REV.	ECN NO OR DESCRIPTION	REVISED	DATE
A	PRODUCT RELEASE	Ye wei	2022.05.20