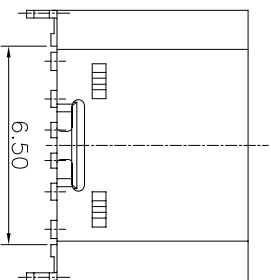
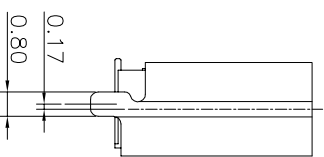
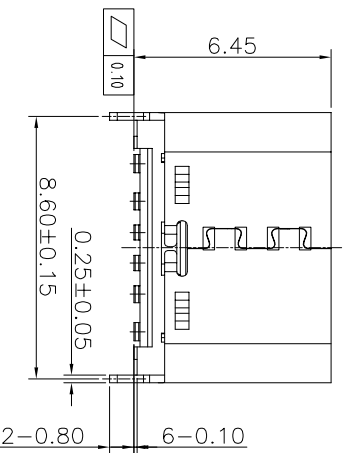
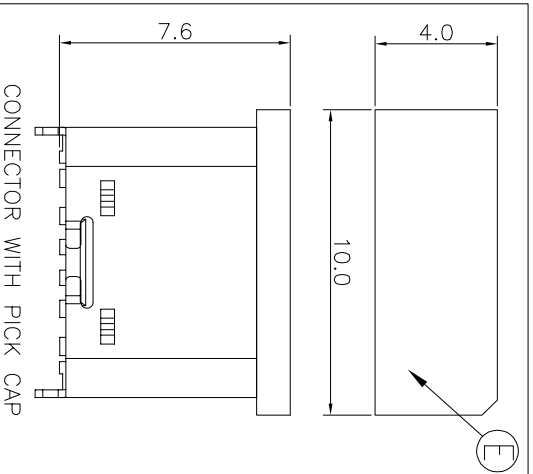
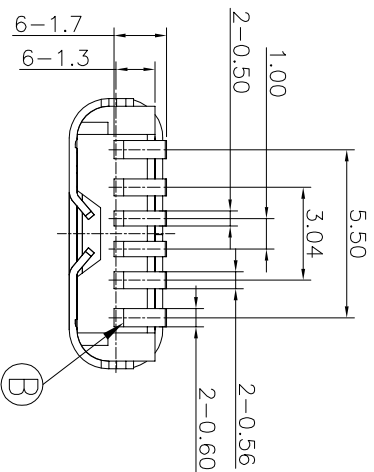
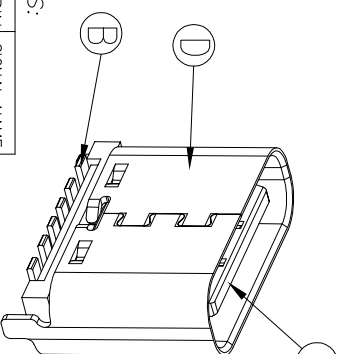


- NOTES:
- ELECTRICAL CHARACTERISTICS:
    - CURRENT RATING:3.0A,VOLTAGE RATING:5.0V AC
    - CONTACT RESISTANCE: 40mΩMAX MAX. INITIAL.
    - INSULATION RESISTANCE: 100MΩHMS Min.
    - DIELECTRIC WITHSTAND: 100V AC for 1 MINUTE
  - MECHANICAL CHARACTERISTICS:
    - INSERT FORCE: 5-20N
    - WITHDRAW FORCE: 8-20N(INITIAL), AFTER DURABILITY: 6-20N Min
    - DURABILITY:10000CYCLES;
  - HARMFUL MATERIAL CONTROL MEET ROHS COMPLIANT 2011/65/EU
  - TO CONFORM TO SINGATRON HAZARDOUS SUBSTANCE FREE SPEC.
  - HALOGEN FREE PRODUCT IDENTIFICATION LABEL ON PACKAGING:



PIN ASSIGNMENTS:

PIN	SIGNAL NAME	PIN	SIGNAL NAME
A5	CCI	B12	GND
A9	VBUS	B9	VBUS
		B5	CC2
		B1	GND



E	CAP	1	HIGH TEMPERATURE PLASTIC UL94V-0	BLACK
D	SHELL	1	STAINLESS STEEL	NI PLATED OVERALL
C	METAL PLATE	1	STAINLESS STEEL	CLEAR ONLY
B	TERMINAL	6	BRASS	Au 3 <sup>μ</sup> MIN CONTACT AREA TIN ON SOLDER TAIL NI PLATED OVERALL
A	HOUSING	1	HIGH TEMPERATURE PLASTIC UL94V-0	BLACK

UNLESS OTHERWISE SPECIFIED TOLERANCES

Singatron Enterprise Co., Ltd.  
**信普企業股份有限公司**

DECIMALS:	ANGLES:	TITLE	TYPE-C RECEPTACLE - 6PIN VERTICAL
X :±0.5	X :±2°	DWN	Ye wei
X.X :±0.3	X.X :±1°	CHKD	Jim-deng
X.XX :±0.2		APVD	Jim-deng

PART NO.2UB2Y36-C03111F  
SCALE 1:1 UNIT: mm  
SHEET: 10F1 REV: A  
CUSTOMER COPY