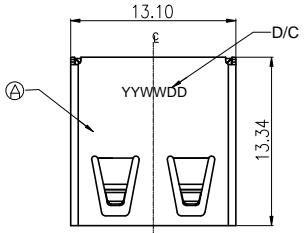


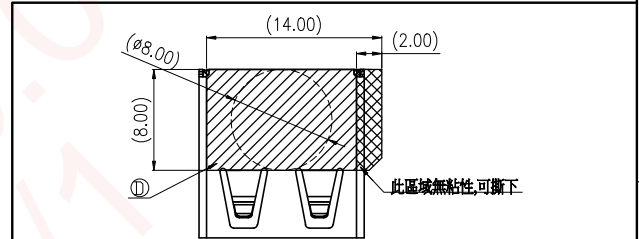
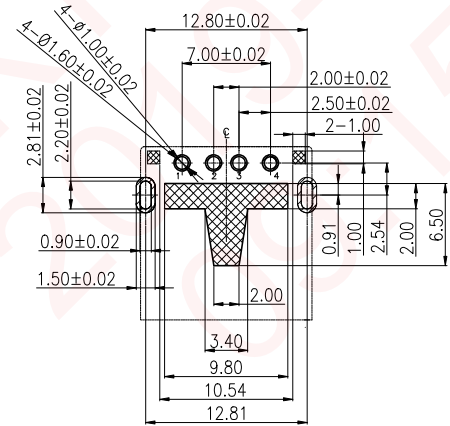
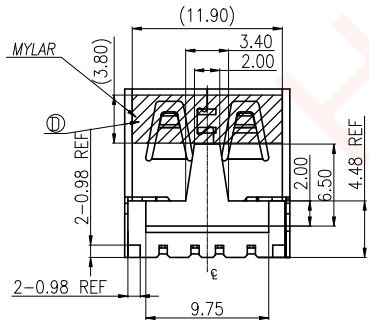
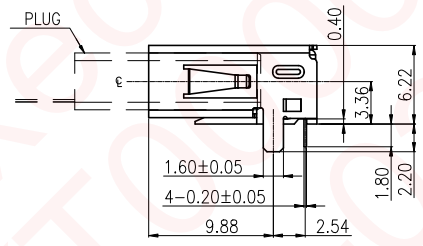
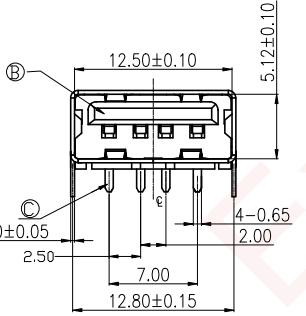
REV.	ECN NO OR DESCRIPTION	REVISED	DATE
A	NEW RELEASE	LY	13.07.24
B	ECN NO.:C180087	Cheney	19.02.27

1 2 3 4 5 6 7 8



2UB2Y62-0 0 1 1 1 1 F
 HOUSING MATERIAL
 0=HIGH TEMP PLASTIC
 UL94-V0
 CONTACT PLATING
 00=GOLD FLASH
 DURABILITY
 1=5000 CYCLES
 HALOGEN FREE
 PACKAGE TYPE
 1=TAPE&REEL
 USB TYPE
 1=USB 2.0 TYPE

SPECIFICATION
 1. ELECTRICAL CHARACTERISTICS:
 1-1. VOLTAGE&CURRENT RATING:DC 30V MAX&1.5A
 1-2. CONTACT RESISTANCE: 30mΩ MAX.
 1-3. INSULATION RESISTANCE: 1000MΩ MIN.
 1-4. DIELECTRIC WITHSTAND: 500V AC for 1 MINUTE
 1-5. OPERATING TEMPERATURE: -55°C~+85°C
 2. MECHANICAL CHARACTERISTICS:
 2-1. INSERT FORCE: 35N MAX.
 2-2. WITHDRAW FORCE: 10N MIN.
 3. LIFE TEST: 5000 CYCLES
 4. OTHER GENERAL SPEC. TO REFER "2UB2Y62 SERIES SPEC"
 5. PACKING: TAPE & REEL
 6. HALOGEN FREE PRODUCT IDENTIFICATION LABEL ON PACKAGING:
 7. FOR REFLOW SOLDERING LEAD-FREE PROCESS.



D	MYLAR	2	N/A
C	CONTACT	4	COPPER ALLOY GOLD FLASH PLATED ON CONTACT AREA, Ni PLATED ON SOLDER TAIL, ALL COVER INI PLATED
B	HOUSING	1	HIGH TEMP PLASTIC THERMOPLASTIC UL94-V0 BLACK
A	SHELL	1	STEEL NICKEL PLATING
NO	DESCRIPTION	QTY	MATERIAL PLATING & COLOR

RECOMMENDED PCB LAYOUT(TOP VIEW)
 DEFAULT TOLERANCE:±0.05

UNLESS OTHERWISE SPECIFIED TOLERANCES		Singatron Enterprise Co., Ltd. 信音企業股份有限公司	
DECIMALS:	ANGLES:	TITLE USB A/FEMALE 90° (T字型)	
X :±0.5	X :±2°	DWN	Part No.: 2UB2Y62-001111F
X.X :±0.3	X.X :±1°	CHKD	SCALE N/A UNIT: mm
X.XX :±0.2		APVD	SIZE: A4 SHEET: 10F1 REV: B
CUSTOMER COPY			

1 2 3 4 5 6 7 8