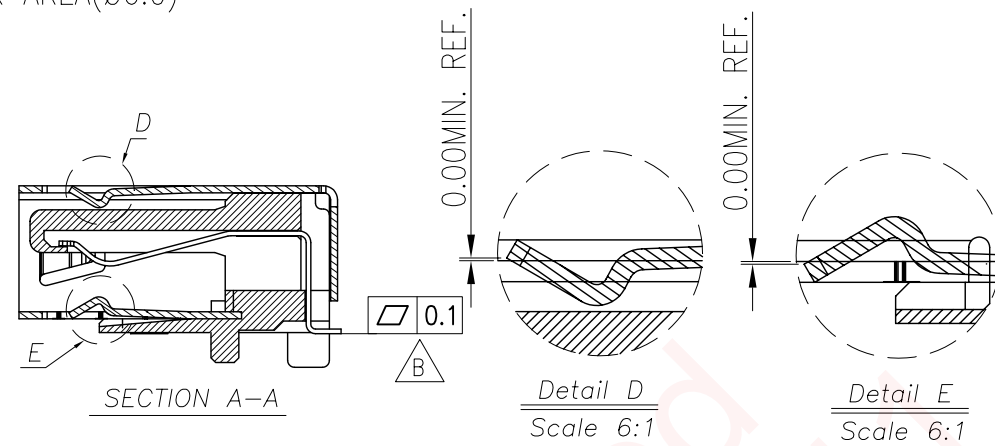
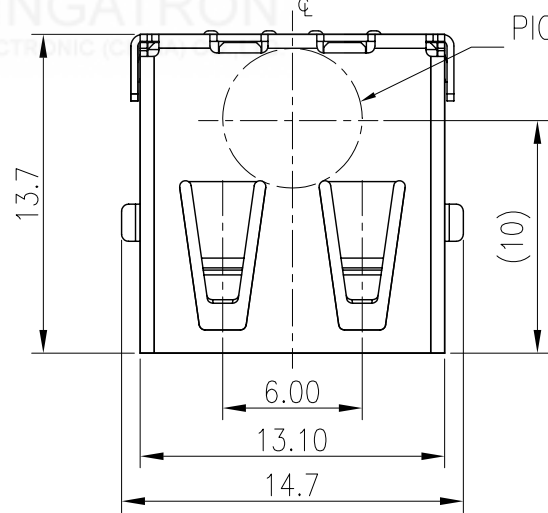
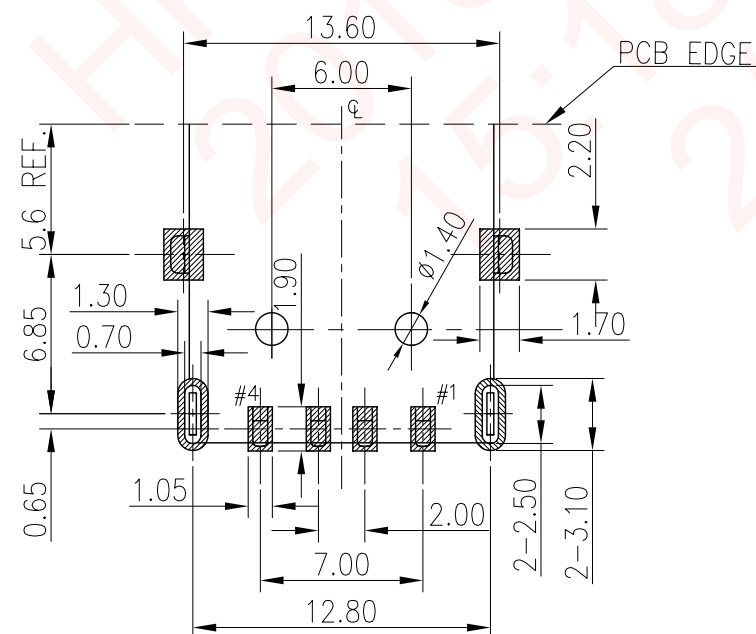
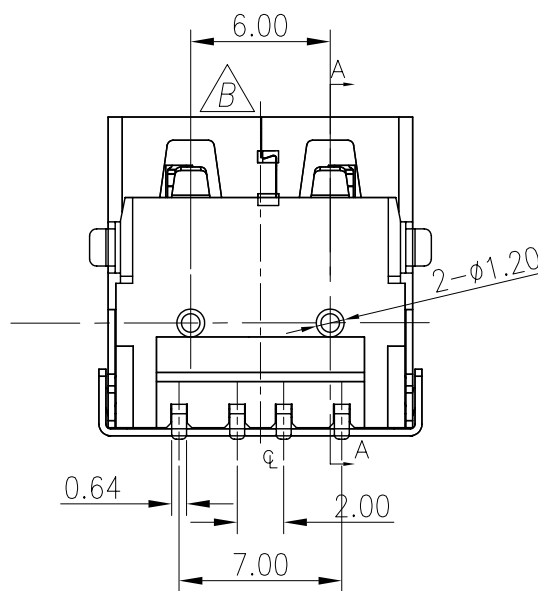
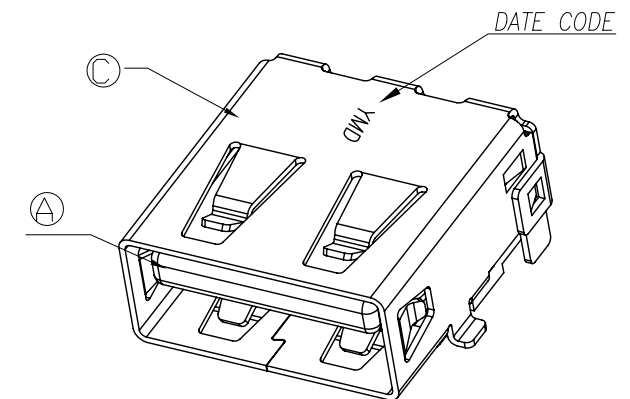
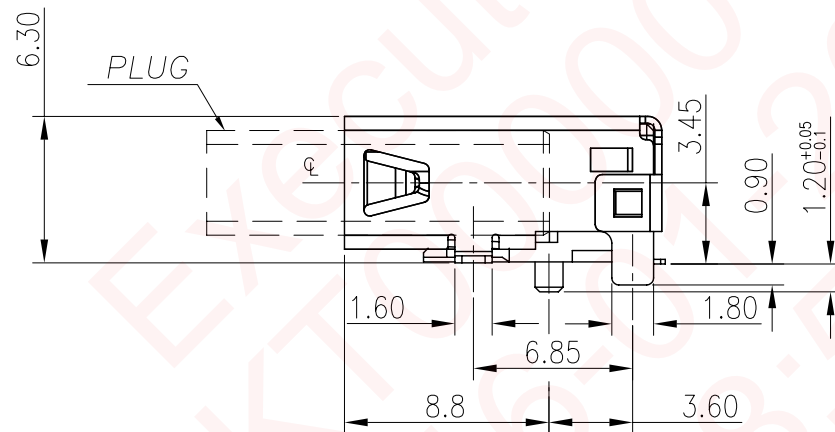
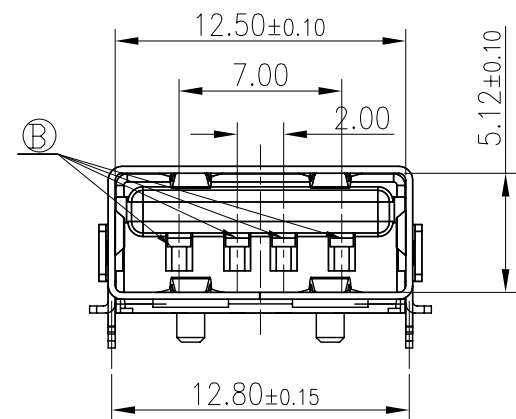


REV.	ECN NO OR DESCRIPTION	REVISED	DATE
A	PRODUCT RELEASE	LONGJIANG	2015.05.06
B	ECN:C150164 MODIFY DRAWING	LONGJIANG	2015.12.31



SPECIFICATION

- ELECTRICAL CHARACTERISTICS:**
 - CONTACT RESISTANCE: 30mΩ MAX. INITIAL.
 - VOLTAGE & CURRENT RATING: DC 30V MAX. & 1.5A
 - INSULATION RESISTANCE: 1000 MEGOHMS BY 500V DC.
 - DIELECTRIC WITHSTAND: 500V AC for 1 MINUTE
 - OPERATING TEMPERATURE: -55°C~+85°C
- MECHANICAL CHARACTERISTICS:**
 - INSERT FORCE: 35N Max.
 - WITHDRAW FORCE: 10N Min.
 - LIFE TEST :5,000 CYCLES
- OTHER GENERAL SPEC. TO REFER "2UB2Y64-001111F SPEC."**
- HALOGEN FREE PRODUCT IDENTIFICATION MARK :** Ⓢ
- HALOGEN FREE PRODUCT IDENTIFICATION LABEL ON PACKAGING:**
- FOR REFLOW SOLDERING LEAD-FREE PROCESS**
- PACKING: TAPE & REEL**



ROCOMMENDED PCB LAYOUT
TOP VIEW, TOL: ±0.08

NO	DESCRIPTION	QTY	MATERIAL	PLATING & COLOR
C	SHELL	1	SUS304-1/2H 0.30T	MATTE TIN 60u"MIN. AND Ni 80u"Min. PLATING
B	CONTACT	4	C5191-H 0.20T	Au1~3u" PLATED ON CONTACT AREA, 120u" TIN PLATED ON SOLD TAIL ALL OVER NI 60u" MIN. PLATING
A	HOUSING	1	PA10T (HF) UL94V-0	BLACK

UNLESS OTHERWISE SPECIFIED TOLERANCES

Singatron Enterprise Co., Ltd.
信音企業股份有限公司

DIMENSIONS : ANGLES:		TITLE			
X : ±0.5	X : ±2°	USB 2.0 CONNECTOR			
X.X : ±0.2	X.X : ±1°	DWN	Longjiang-Cao 16/01/05	PART NO. 2UB2Y64-001111F	
X.XX : ±0.1		CHKD	Yan-Zhong 16/01/05	SCALE 3:1	UNIT: mm
		APVD	Justin-Kuo 16/01/05	SIZE: A4	SHEET: 10F1

CUSTOMER COPY