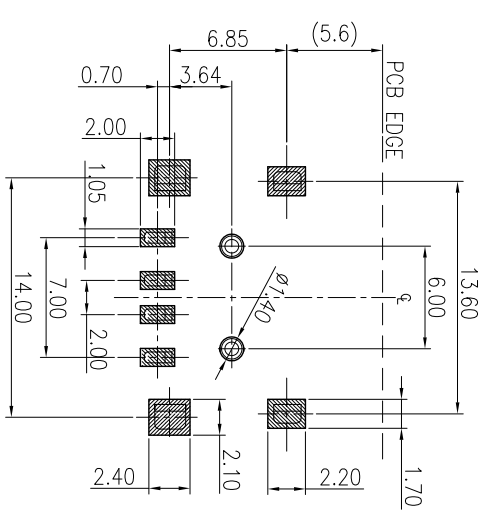
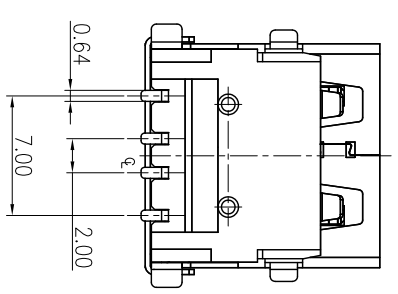
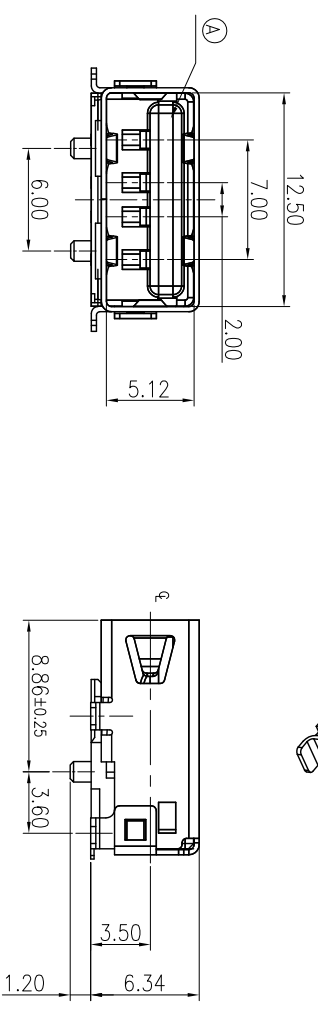
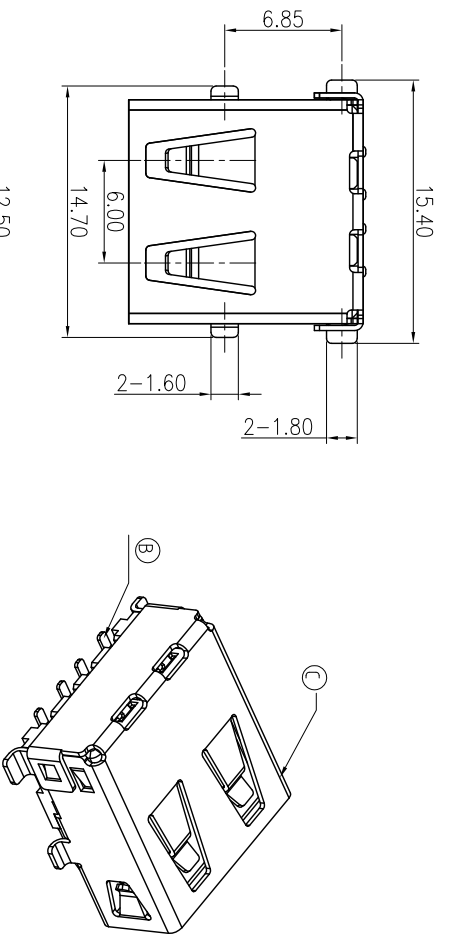


REV.	ECON NO. OR DESCRIPTION	REVISED	DATE
A	PRODUCT RELEASE	LONGJIANG	2014.12.24
B	ECON:C150032 MODIFY PLATING	LONGJIANG	2015.02.03



- SPECIFICATION**
- 1. ELECTRICAL CHARACTERISTICS:**
- 1-1. VOLTAGE & CURRENT RATING: DC 30V MAX & 1.5A
 - 1-2. CONTACT RESISTANCE: 30mΩ MAX INITIAL.
 - 1-3. INSULATION RESISTANCE: 1000MΩ MIN FOR VOLTAGE 500VDC.
 - 1-4. DIELECTRIC WITHSTAND: 500V AC for 1 MINUTE
 - 1-5. OPERATING TEMPERATURE: -55°C ~ +85°C
- 2. MECHANICAL CHARACTERISTICS:**
- 2-1. INSERT FORCE: 35N Max.
 - 2-2. WITHDRAW FORCE: 10N Min.
 - 2-3. LIFE TEST: 5000 CYCLES
- 3. OTHER GENERAL SPEC. TO REFER "2UB2Y64 SERIES SPEC"**
- 4. HALOGEN FREE PRODUCT IDENTIFICATION LABEL ON PACKAGING:**
- 5. FOR REFLOW SOLDERING LEAD-FREE PROCESS**
- 6. PACKING: TAPE REEL**

C	SHELL	1	STAINLESS STEEL 0.30T	GOLD FLASH PLATED ON SOLDER TAIL ALL OVER NICKEL PLATED
B	CONTACT	4	COPPER ALLOY 0.20T	GOLD FLASH PLATED ON TAIL AND IN 60° MIN. UNDERPLATED
A	HOUSING	1	HIGH TEMP. THERMOPLASTIC UL 94V-0	BLACK
NO	DESCRIPTION	QTY	MATERIAL	PLATING & COLOR
UNLESS OTHERWISE SPECIFIED TOLERANCES				
DECIMALS: ANGLES:				
X	:±0.5	X	:±2°	
X.X	:±0.3	X.X	:±1°	
X.XX	:±0.2			
TITLE: USB 2.0 AF SMT TYPE				
DWG: 14/2/2015				
CHKD: 14/2/2015				
APVD: 14/2/2015				
PART NO. 2UB2Y64-002111F				
SCALE: 1:1				
UNIT: mm				
SIZE: A3				
SHEET: 1 OF 1				
REV: B				

Singtong Enterprise Co., Ltd.
信音企業股份有限公司

CUSTOMER COPY