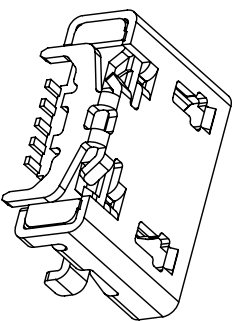
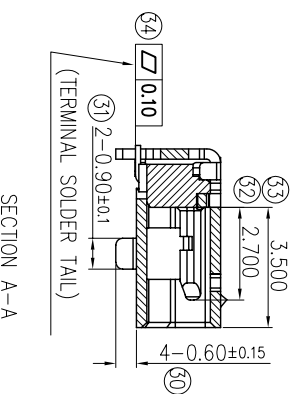
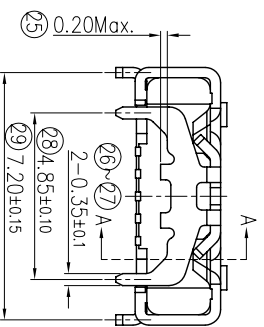
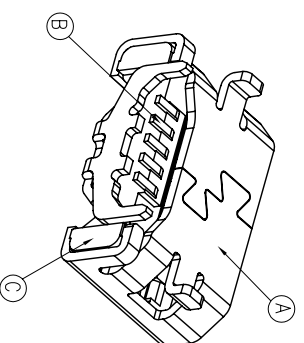
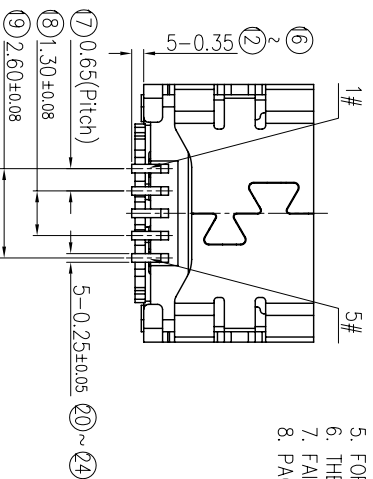
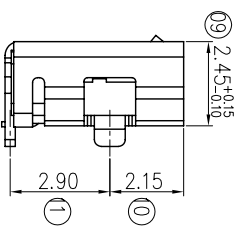
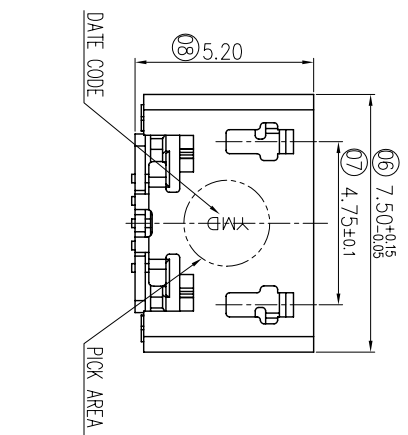


- SPECIFICATIONS:
1. ELECTRICAL CHARACTERISTICS:
- 1-1. CURRENT RATING: 1.8A (PIN1/5), 0.5A (PIN2/3/4)
  - 1-2. VOLTAGE RATING: 30 VDC.
  - 1-3. CONTACT RESISTANCE: 30mΩ(INITIAL), 40mΩ(AFTER LIFE TEST)
  - 1-4. DIELECTRIC WITHSTANDING VOLTAGE: 500 VAC FOR ONE MINUTE.
  - 1-5. INSULATION RESISTANCE: 1,000MΩ MIN. AT 500 VDC.
2. MECHANICAL CHARACTERISTICS:
- 2-1. INSERTION FORCE: 3.6KGF MAX.
  - 2-2. WITHDRAWAL FORCE: 0.8KGf MIN.(REF.)
  - 2-3. LIFE TEST: 10,000 CYCLES.
3. ENVIRONMENTAL CHARACTERISTICS:
- 3-1. OPERATING TEMPERATURE: -30~+85°C
  - 3-2. TO CONFORM TO SINGATRON HAZARDOUS SUBSTANCE FREE SPEC.
  - 3-3. HALOGEN FREE PRODUCT IDENTIFICATION MARK:
  - 3-4. HALOGEN FREE PRODUCT IDENTIFICATION LABEL ON PACKAGING:
4. OTHER GENERAL SPEC.: TO REFER "2UB2Y64-0006111F SPEC."
5. FOR REFLOW SOLDERING LEAD-FREE PROCESS.
6. THE SALT SPARY TEST ONLY DETERMINES THE CONTACT AREA
7. FAI NO. MARK:
8. PACKAGING: TAPE & REEL



NO.	DESCRIPTION	QTY.	MATERIAL	PLATING & COLOR
A	SHELL	1	STAINLESS STEEL T=0.30mm	MATTE TIN PLATED.
B	CONTACT	5	COPPER ALLOY T=0.15mm	Au30" ON CONTACT AREA, GOLD FLASH ON SOLDER TAIL, ALL OVER Ni PLATING
C	HOUSING	1	HIGH TEMPERATURE PLASTIC	BLACK

UNLESS OTHERWISE SPECIFIED TOLERANCES

DECIMALS: ANGLES:

X : ±0.50 X : ±2°

X.X : ±0.30 X.X : ±1'

X.XX : ±0.20

X.XXX : ±0.10

TITLE	MICRO USB TYPE B
DWN	WAVE-ZONE
CHKD	QUAL-HU
APVD	DATE-ENG

Singatorn Enterprise Co., Ltd.  
信音企業股份有限公司

PART NO.: 2UB2Y64-0006111F

SCALE 5:1 UNIT: mm

SIZE: A3 SHEET: 1 OF 1 REV: A

CUSTOMER COPY

REV.	ECN NO OR DESCRIPTION	REVISED	DATE
A	PRODUCT RELEASE	WeiJie.Zeng	2019.12.24