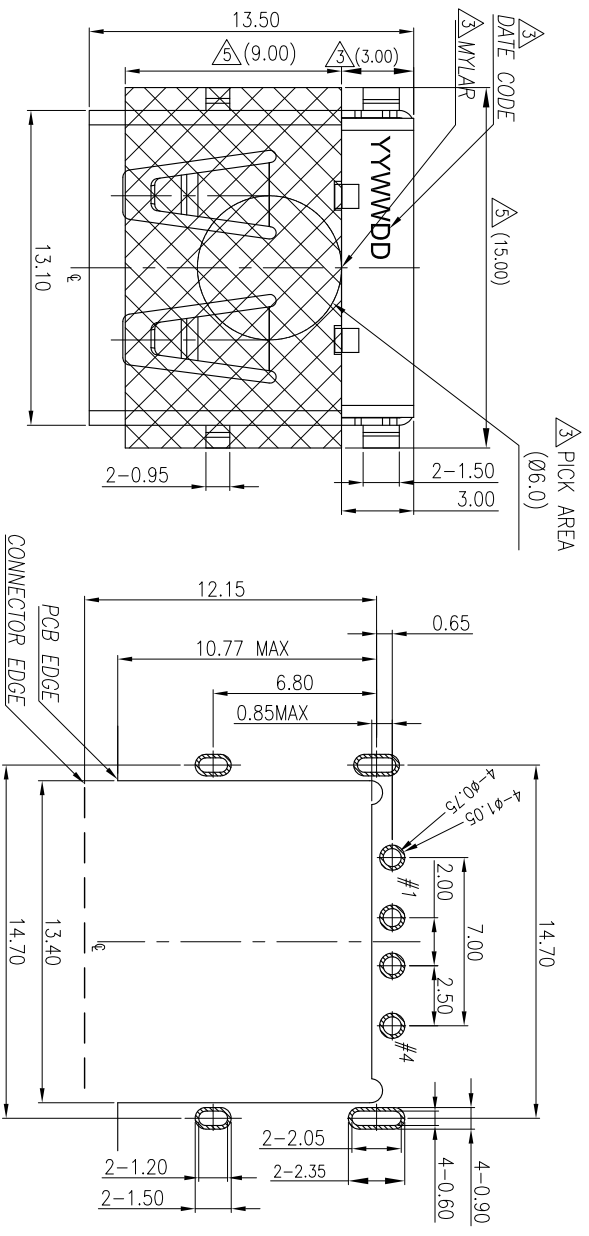


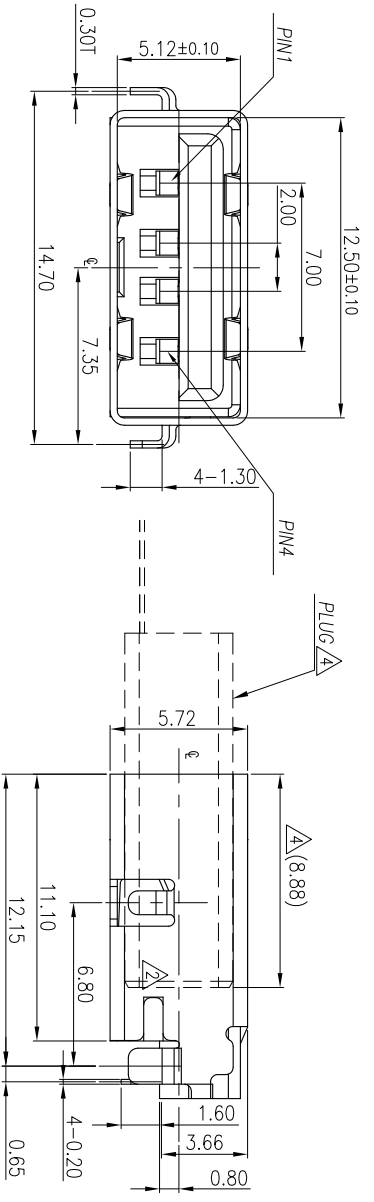
REV. ECN NO OR DESCRIPTION	REVISED	DATE
A INITIAL RELEASE	LY	2013.07.24



Recommend PCB Layout (Top View)
Tolerance: ±0.05mm Thickness: 1.2mm

- ELECTRICAL CHARACTERISTICS:
 - CURRENT RATING: 1.5A
 - WORKING RATED VOLTAGE: 30V DC
 - CONTACT RESISTANCE: 30mΩ MAX INITIAL
 - DIELECTRIC WITHSTANDING VOLTAGE: 500V AC FOR ONE MINUTE.
 - INSULATION RESISTANCE: 1000MΩ MIN. MEASURED BY 500 VDC
- MECHANICAL CHARACTERISTICS:
 - INSERTION FORCE : 35N MAX
 - WITHDRAWAL FORCE : 10N MIN
 - LIFE TEST: 5000 CYCLES MIN.
 - PACKING: TAPE REEL
 - HALOGEN FREE PRODUCT IDENTIFICATION LABEL ON PACKAGING:
 - PRODUCT NO: 2UB2Y73-2 0 0 3 1 1 F

USB TYPE _____ HALOGEN CODE _____
 2=USB 2.0 _____ F=HALOGEN FREE
 CONTACT PLATING _____ PACKAGE TYPE _____
 00=GOLD FLASH _____ 1=TAPE REEL
 CENTER HEIGHT _____ HOUSING MATERIAL _____
 3=0.80MM _____ 1=HIGH TEMP PLASTIC



D	MYLAR	1	N/A	N/A
C	CONTACT	4	COPPER ALLOY	G/F PLATING AT CONTACT AREA N/ UNDER PLATING OVERALL
B	SHELL	1	STEEL	PLATING: NI
A	HOUSING	1	HIGH THERMOPLASTIC	BLACK
NO	DESCRIPTION	QTY	MATERIAL	PLATING & COLOR

UNLESS OTHERWISE SPECIFIED TOLERANCES

Singatron Enterprise Co., Ltd.
信音企業股份有限公司

TITLE: USB 2.0 AF CONNECTOR

DECIMALS:	ANGLES:	TITLE	PART NO.	UNIT	SCALE	SHEET	REV.
X : ±0.5	X : ±2°	DWN	LY	2UB2Y73-200311F	mm	1 OF 1	A
X.X : ±0.3	X.X : ±1°	CHKD	KM				
X.XX : ±0.2		APVD	SEAN				

CUSTOMER COPY

A 1 2 3 4 5 6 7 8