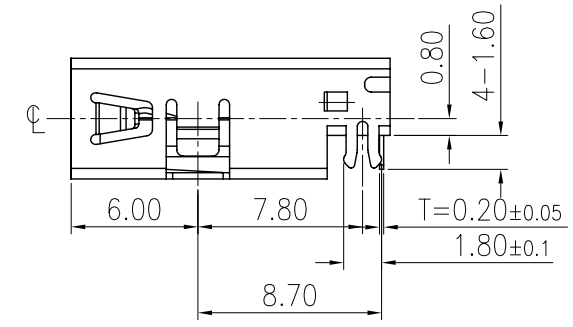
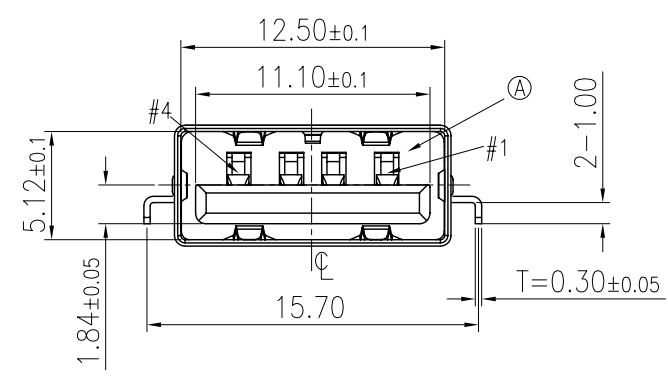
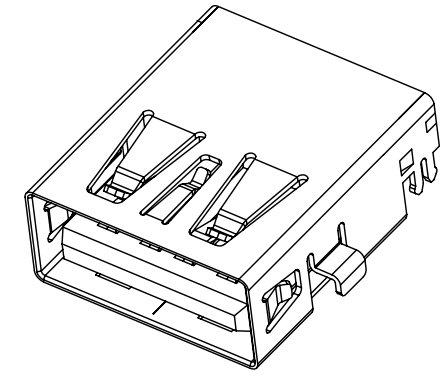
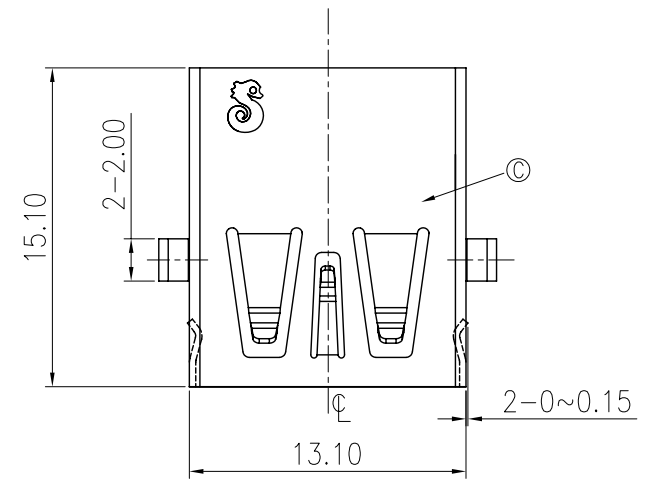
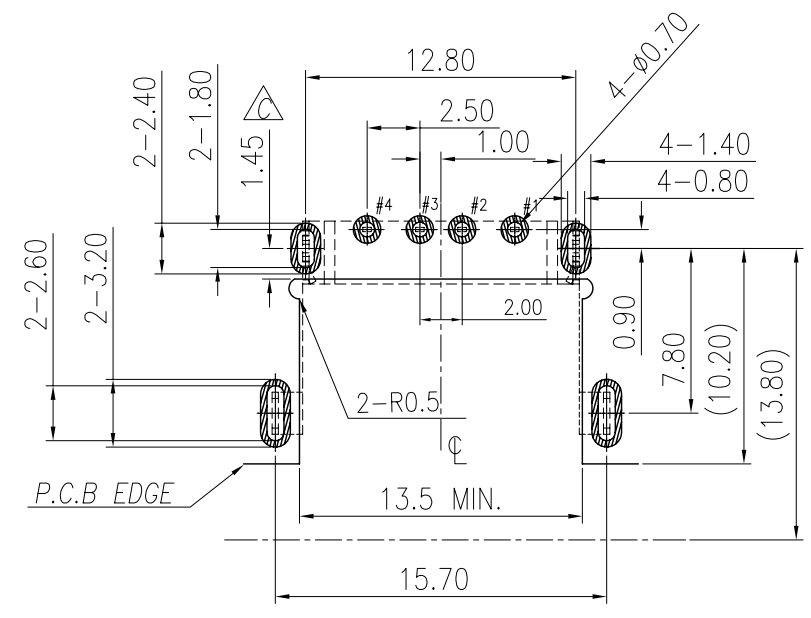
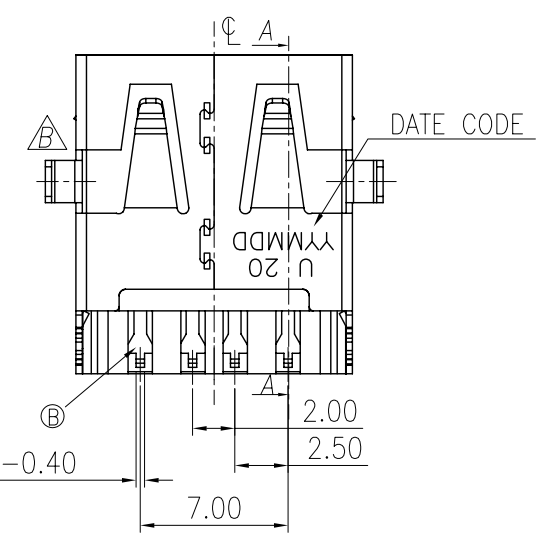
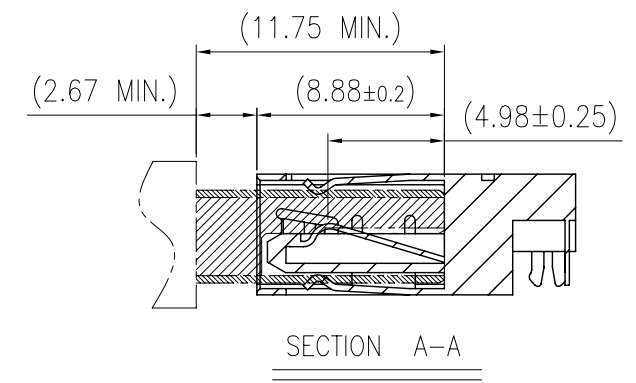


| REV. | ECN NO OR DESCRIPTION | REVISED | DATE |
|------|-------------------------------|-----------|------------|
| A | PRODUCT RELEASE | Longjiang | 2014.12.24 |
| B | ECN NO:C150032 MODIFY DRAWING | Longjiang | 2015.02.03 |
| C | ECN:C160041 MODIFY DRAWING | Longjiang | 2016.05.27 |



SPECIFICATIONS:

- ELECTRICAL CHARACTERISTICS:
 - CURRENT RATING: 2.0A (PIN1,4) ; OTHER CONTACTS 0.25A
 - CONTACT RESISTANCE: 30mΩ MAX.
 - INSULATION RESISTANCE: 1,000 MEGAOHMS MIN. BY 500V DC .
 - DIELECTRIC WITHSTANDING VOLTAGE: 500V AC FOR 1 MINUTE.
- MECHANICAL CHARACTERISTICS:
 - INSERTION FORCE : 3.5 KGF MAX.
 - WITHDRAWAL FORCE : 1.0 KGF MIN.
- LIFE TEST: 5,000 CYCLES .
- OTHER GENERAL SPEC. TO REFER "2UB2Y84 SERIES SPEC".
- TO CONFORM TO SINGATRON HAZARDOUS SUBSTANCE FREE SPEC.
- HALOGEN FREE PRODUCT IDENTIFICATION MARK ON PRODUCT:
- HALOGEN FREE PRODUCT IDENTIFICATION LABEL ON PACKAGING:
- FOR REFLOW SOLDERING LEAD-FREE PROCESS.
- PACKAGE: TAPE & REEL



RECOMMENDED PCB LAYOUT (THK: 1.0mm)
TOP VIEW, TOL: ±0.05

| NO | DESCRIPTION | QTY | MATERIAL | PLATING & COLOR |
|----|-------------|-----|--------------------------------------|---|
| C | SHELL | 1 | STAINLESS STEEL | NICKEL PLATING |
| B | TERMINAL | 4 | COPPER ALLOY | GOLD FLASH ON CONTACT AREA, AND MATTE TIN ON SOLDER TAIL, ALL OVER NICKEL PLATING |
| A | HOUSING | 1 | HIGH TEMP. THERMOPLASTIC UL 94V-0 | BLACK |

| | | | | |
|---------------------------------------|-----------|--|-------------------------------------|-------------------------------|
| UNLESS OTHERWISE SPECIFIED TOLERANCES | | Singatron Enterprise Co., Ltd. 信音企業股份有限公司 | | |
| DECIMALS: | ANGLES: | TITLE | USB2.0 DIP A TYPE FEMALE, PH=0.80mm | |
| X : ±0.5 | X : ±2° | DWN | Longjiang-Cao 16/05/30 | PART NO. 2UB2Y84-000111F |
| X.X : ±0.3 | X.X : ±1° | CHKD | Yan-Zhang 16/05/30 | SCALE 3:1 UNIT: mm |
| X.XX : ±0.2 | | APVD | Justin-Kuo 16/05/30 | SIZE: A3 SHEET: 1 OF 1 REV: C |
| CUSTOMER COPY | | | | |