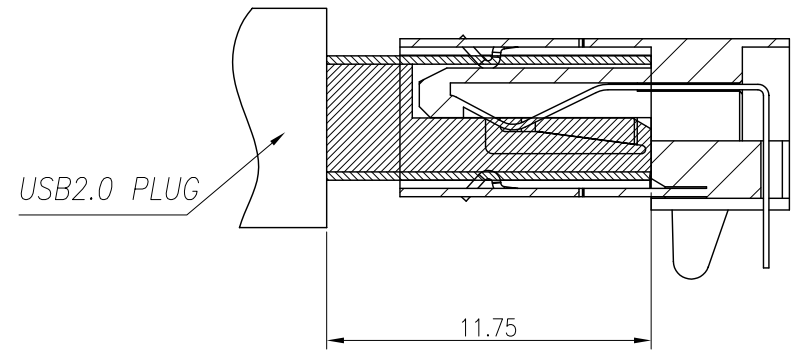
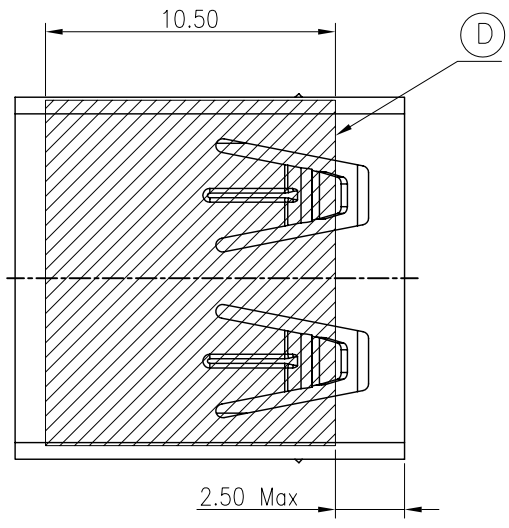
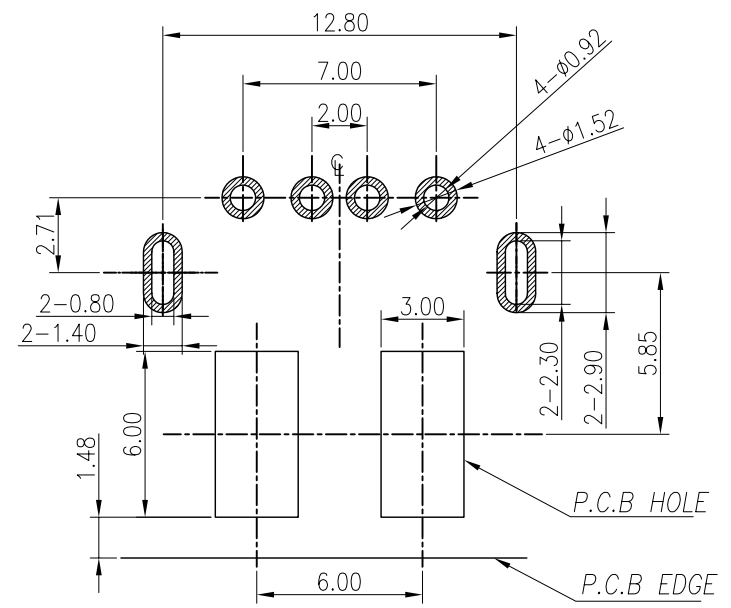
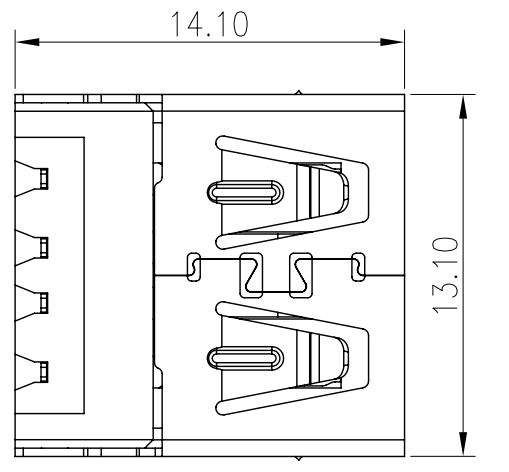
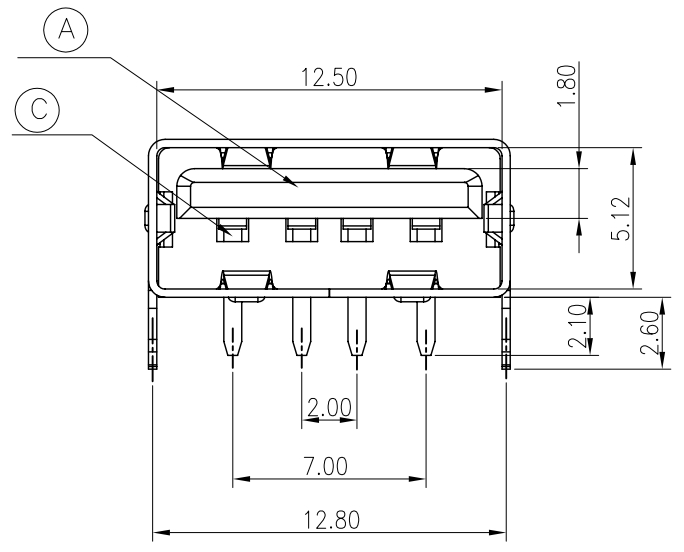
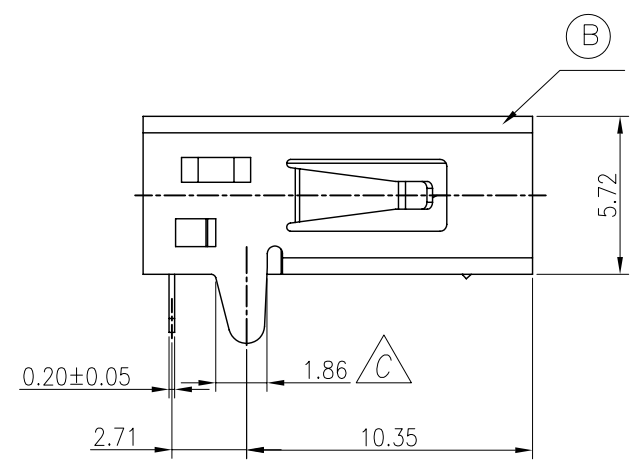


REV.	ECN NO OR DESCRIPTION	REVISED	DATE
A	PRODUCT RELEASE	Longjiang	2015/10/10
B	ECR:C160045 MODIFY DRAWING	BILL	2016/08/30
C	ECN NO:C170008 MODIFY DRAWING	Longjiang	2017/03/17



- SPECIFICATIONS:
- ELECTRICAL CHARACTERISTICS:
 - CURRENT RATING: 30V MAX. & 1.5A
 - CONTACT RESISTANCE: 30mΩ MAX.
 - INSULATION RESISTANCE: 100 MEGAOHMS MIN. BY 500V DC .
 - DIELECTRIC WITHSTANDING VOLTAGE: 500V AC FOR 1 MINUTE.
 - MECHANICAL CHARACTERISTICS:
 - INSERTION FORCE : 3.5 KGF MAX.
 - WITHDRAWAL FORCE : 1.0 KGF MIN.
 - LIFE TEST: 1,500 CYCLES .
 - OTHER GENERAL SPEC. TO REFER "2UB2Y86-000111F SPEC".
 - TO CONFORM TO SINGATRON HAZARDOUS SUBSTANCE FREE SPEC.
 - HALOGEN FREE PRODUCT IDENTIFICATION MARK ON PRODUCT: Ⓞ
 - HALOGEN FREE PRODUCT IDENTIFICATION LABEL ON PACKAGING:
 - PACKAGE: TAPE & REEL



RECOMMENDED P.C.B. LAYOUT
TOP VIEW (TOLRANCE: ±0.05)

D	MYLAR	1	10.5*12.5*0.05	BLACK
C	CONTACT	4	COPPER ALLOY 0.2T	GOLD FLASH PLATED ON CONTACT AREA AND MATTE TIN PLATED ON SOLDER TAIL ALL OVER NICKEL PLATED
B	SHELL	1	BRASS 0.3T	NICKEL PLATED
A	HOUSING	1	HIHG TEMP PLASTIC UL 94V-0	BLACK
NO	DESCRIPTION	QTY	MATERIAL	PLATING & COLOR
UNLESS OTHERWISE SPECIFIED TOLERANCES			Singatron Enterprise Co., Ltd. 信音企業股份有限公司	
DECIMALS:		TITLE		
X	±0.3	USB 2.0 CONNECTOR		
X.X	±0.2	DWN	PART NO:2UB2Y86-000111F	
X.XX	±0.1	CHKD	SCALE 4:1	UNIT: mm
X.XXX	±0.05	APVD	SIZE: A3	SHEET: 10F1
CUSTOMER COPY				