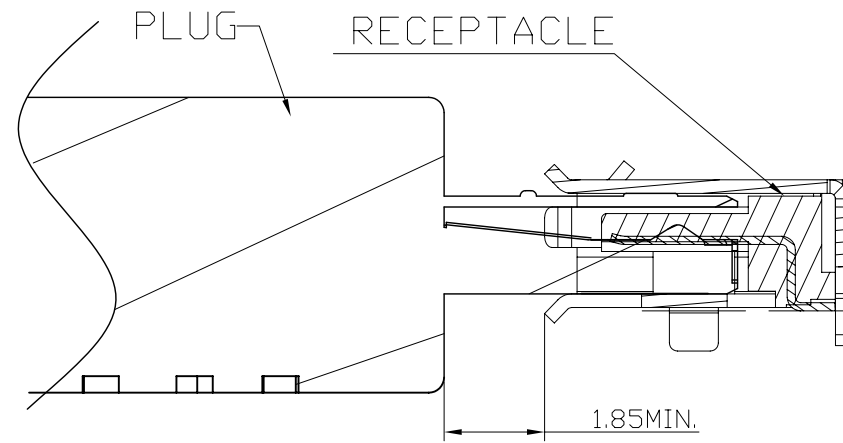
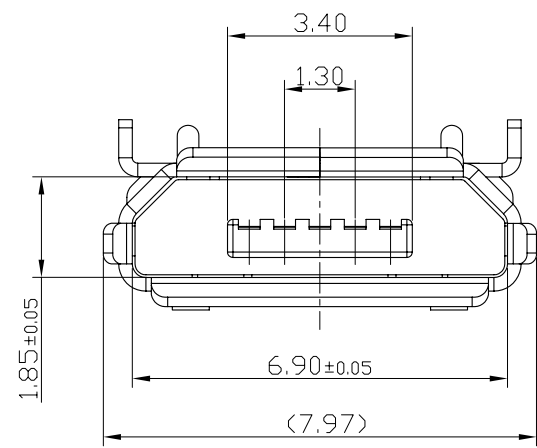
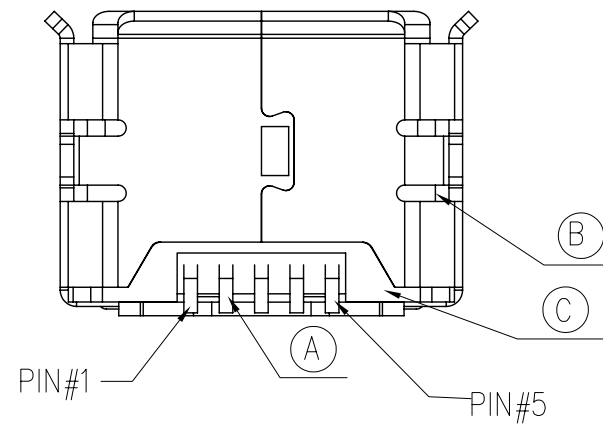
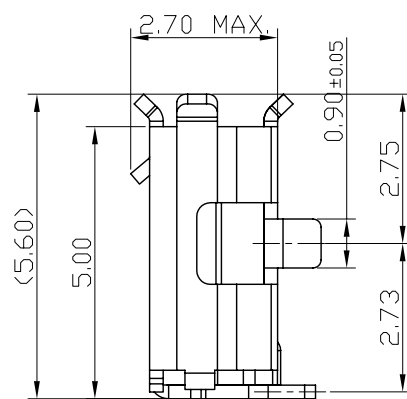
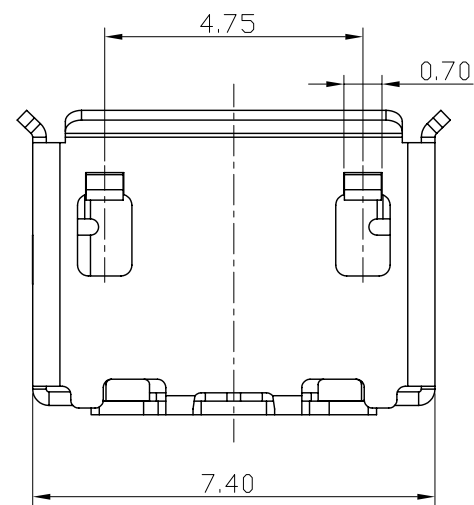


REV.	ECN NO OR DESCRIPTION	REVISED	DATE
A	PRODUCT RELEASE	Longjiang	2016/03/04
B	ECN NO.:C170012 Add DIM	Bela	2017/03/21

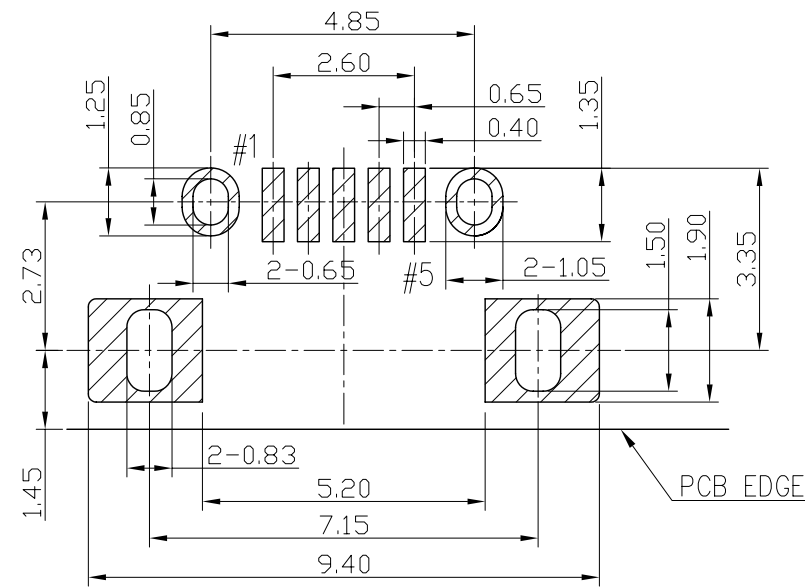
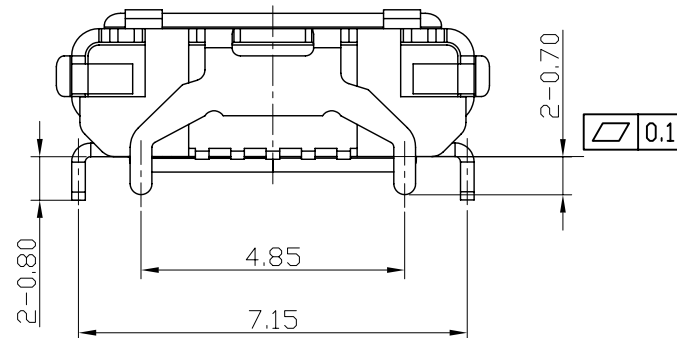


Fully mated receptacle and plug



SPECIFICATIONS:

- ELECTRICAL CHARACTERISTICS:
 - CURRENT RATING: 1.8A (PIN 1,5), THE OTHER CONTACT 1.0A MIN.
 - CONTACT RESISTANCE: 30mΩ MAX INITIAL.
 - INSULATION RESISTANCE: 100 MEGAOHMS MIN. BY 500V DC .
 - DIELECTRIC WITHSTANDING VOLTAGE: 500V AC FOR 1 MINUTE.
- MECHANICAL CHARACTERISTICS:
 - INSERTION FORCE: 35N MAX.
 - WITHDRAWAL FORCE: 8N MIN.(Reference.)
- LIFE TEST: 5,000 CYCLES.
- OTHER GENERAL SPEC. TO REFER "2UB2Y88-000111F SPEC".
- TO CONFORM TO THE SINGATRON HAZARDOUS SUBSTANCE FREE SPEC.
- HALOGEN FREE PRODUCT IDENTIFICATION MARK ON PRODUCT: Ⓞ
- HALOGEN FREE PRODUCT IDENTIFICATION LABEL ON PACKAGING: Ⓢ
- PACKAGING: TAPE & REEL.



RECOMMENDED P.C.B. LAYOUT
TOLERANCE (TOP VIEW) ±0.05mm

C	HUOSING	1	LCP, UL 94V-0	BLACK
B	SHELL	1	COPPER ALLOY T=0.3	SN 50u" MIN PLATED
A	CONTACT	5	COPPER ALLOY T=0.15	Au3u" ON CONTACT AREA AND G/F ON SOLD TAIL ALL OVER NI50u" PLATED
NO	DESCRIPTION	QTY	MATERIAL	PLATING & COLOR
UNLESS OTHERWISE SPECIFIED TOLERANCES		Singatron Enterprise Co., Ltd. 信音企業股份有限公司		
DECIMALS:	ANGLES:	TITLE	MICRO USB	
X : ±0.5	X : ±2°	DWN	Bela-Qiu 17/03/29	PART NO. 2UB2Y88-000111F
X.X : ±0.3	X.X : ±1°	CHKD	Justin-Kuo 17/03/29	SCALE 1:1 UNIT: mm
X.XX : ±0.2		APVD	Max-Mai 17/03/29	SIZE: A3 SHEET:1 OF 1 REV: B
CUSTOMER COPY				