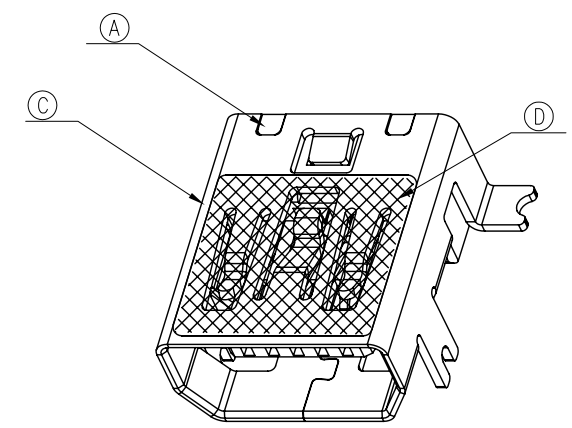
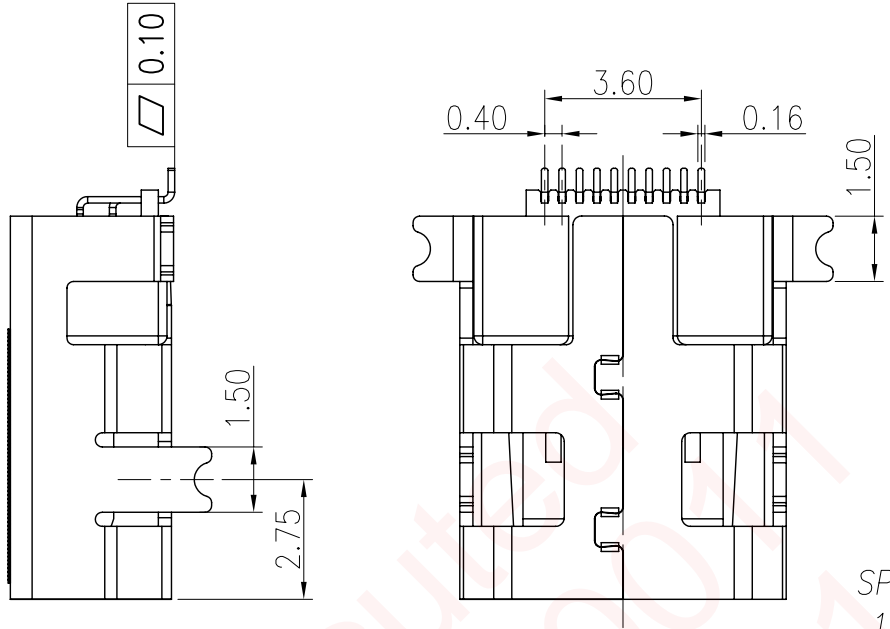
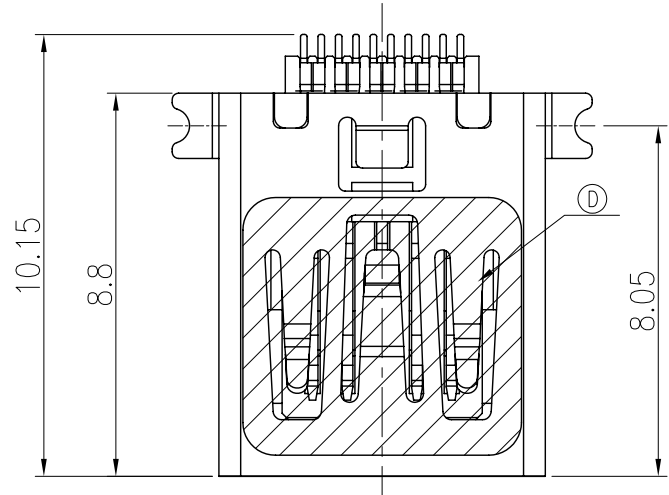
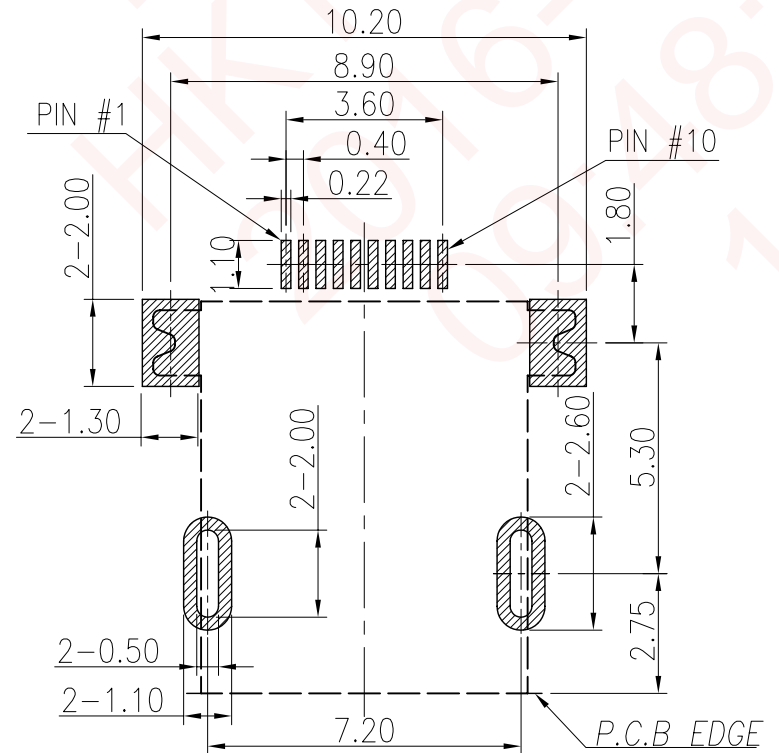
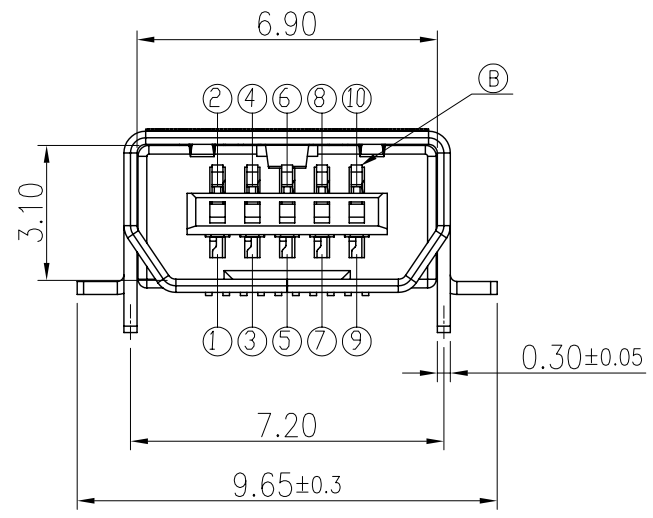


REV.	ECN NO OR DESCRIPTION	REVISED	DATE
A	PRODUCT RELEASE	LONGJIANG	2016.08.17



SPECIFICATIONS:

- ELECTRICAL CHARACTERISTICS:**
 - 1-1. RATING: 30V 1A.
 - 1-2. CONTACT RESISTANCE: 50mΩ MAX.
 - 1-3. INSULATION RESISTANCE: 100 MEGAOHMS MIN. BY 100V DC .
 - 1-4. DIELECTRIC WITHSTANDING VOLTAGE: 100V AC FOR 1 MINUTE.
- MECHANICAL CHARACTERISTICS:**
 - 2-1. INSERTION FORCE : 3.5KGF MAX.
 - 2-2. WITHDRAWAL FORCE : 0.3~3.5KGF.
- LIFE TEST: 5,000 CYCLES .**
- OTHER GENERAL SPEC. TO REFER "2UB2Y89-000111H SPEC".**
- TO CONFORM TO SINGATRON HAZARDOUS SUBSTANCE FREE SPEC.**
- GREEN PRODUCT IDENTIFICATION MARK ON PRODUCT:** ♻️
- GREEN PRODUCT IDENTIFICATION LABEL ON PACKAGING:** **G.P. PASS**
- PACKAGING: TAPE & REEL**



RECOMMENDED P.C.B. LAYOUT
TOLERANCE (TOP VIEW) ±0.05mm

NO	DESCRIPTION	QTY	MATERIAL	PLATING & COLOR
D	MYLAR	1		
C	SHELL	1	COPPER ALLOY	WELDED TIN
B	CONTACT	10	COPPER ALLOY	GOLD FLASH
A	HOUSING	1	HIGH TEMP. THERMOPLASTIC UL 94V-0	研發部(CS) BLACK
UNLESS OTHERWISE SPECIFIED TOLERANCES		Singatron Enterprise Co., Ltd. 信音企業股份有限公司		
DECIMALS: ANGLES:		TITLE: MINI USB		
X	:±0.5 X :±2°	DWN	Longjiang-Cao 16/08/22	PART NO. 2UB2Y89-000111H
X.X	:±0.3 X.X :±1°	CHKD	Justin-Kuo 16/08/22	SCALE 6:1 UNIT: mm
X.XX	:±0.2	APVD	Max-Mai 16/08/22	SIZE: A3 SHEET: 10F1 REV: A
CUSTOMER COPY				