
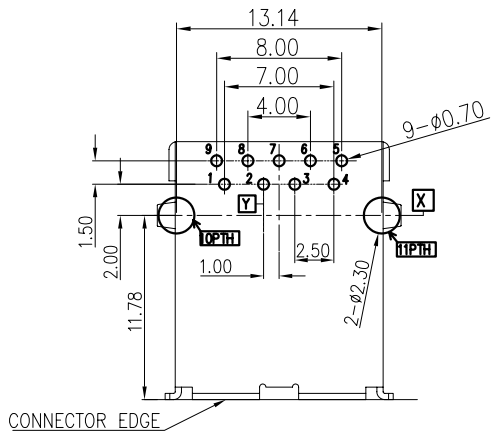
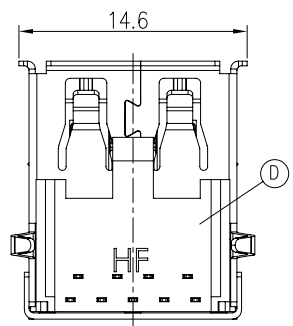
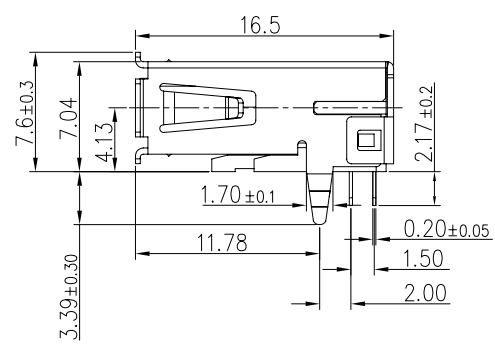
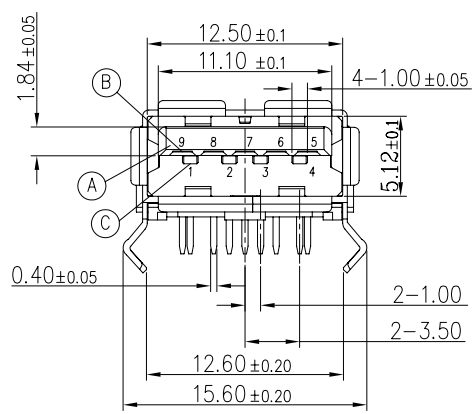
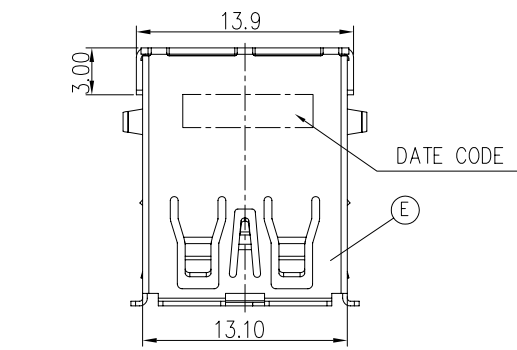


REV.	ECN NO OR DESCRIPTION	REVISED	DATE
A	PRODUCT RELEASE	CHENEY	2019.12.16

SPECIFICATIONS:



- ELECTRICAL CHARACTERISTICS:
  - CURRENT RATING: 2A (PIN1,4) ; OTHER CONTACTS 0.25A.
  - CONTACT RESISTANCE: 30mΩ MAX.(INITIAL),40mΩ(AFTER LIFE TEST)
  - DIELECTRIC WITHSTANDING VOLTAGE: 500V AC FOR 1 MINUTE
  - INSULATION RESISTANCE: 100MΩ MIN. MEASURED BY 500 VDC.
- MECHANICAL CHARACTERISTICS:
  - INSERTION FORCE : 35N MAX. INITIAL.
  - WITHDRAWAL FORCE : 9.8N MIN INITIAL, 8N MIN, FOR AFTER TEST.
- LIFE TEST: 5000 CYCLES
  - OPERATING TEMPERATURE: -55~+85°C
- OTHER GENERAL SPEC TO REFER "2UB2Y90 SERIES SPEC"
- TO CONFORM TO SINGATRON HAZARDOUS SUBSTANCE FREE SPEC.
- HALOGEN FREE PRODUCT IDENTIFICATION MARK : Ⓢ
- HALOGEN FREE PRODUCT IDENTIFICATION LABEL ON PACKAGING: 
- FOR IR REFLOW ROFILE, PEAK TEMPERATURE: 260°C MAX. 10SECS.
- PACKAGING : TAPE & REEL.



RECOMMENDED P.C.B. LAYOUT  
TOLERANCE (TOP VIEW) ±0.05mm

PIN NO.:	SIGNAL NAME			
1	VBUS	B	USB3.0 CONTACT	5
2	D-	A	HOUSING	1
3	D+	NO	DESCRIPTION	QTY
4	GND	UNLESS OTHERWISE SPECIFIED TOLERANCES		
5	SSRX-	DECIMALS: ANGLES:		
6	SSRX+	X : ±0.5	X : ±2°	
7	GND_DRAIN	X.X : ±0.3	X.X : ±1°	
8	SSTX-	X.XX : ±0.2		
9	SSTX+			

E	SHELL	1	STAINLESS STEEL	MATTE TIN ON SOLDER TAIL ALL OVER NICKEL PLATING
D	COVER	1	PA9T UL94V-0	BLUE 300C
C	USB2.0 CONTACT	4	COPPER ALLOY	Au 15u" MIN. ON CONTACT AREA MATTE TIN 80u" MIN. ON SOLDER TAIL NICKEL 50u" MIN. UNDER PLATED
B	USB3.0 CONTACT	5	COPPER ALLOY	
A	HOUSING	1	PA9T UL94V-0	BLACK
NO	DESCRIPTION	QTY	MATERIAL	PLATING & COLOR
UNLESS OTHERWISE SPECIFIED TOLERANCES				
 Singatron Enterprise Co., Ltd. 信音企業股份有限公司				
DECIMALS: ANGLES: TITLE: USB3.0 CONNECTOR				
DWN	Nanlin-Cher	PART NO.2UB2Y90-300711F		
CHKD	Qicai-Hu	SCALE 1:1	UNIT: mm	
APVD	jim-deng	SIZE: A3	SHEET: 10F1	REV: A
CUSTOMER COPY				