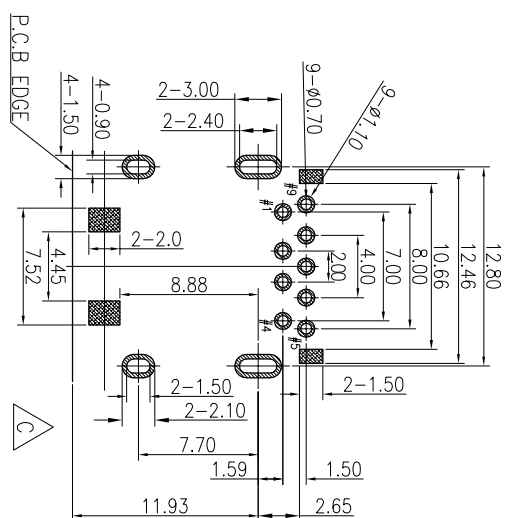
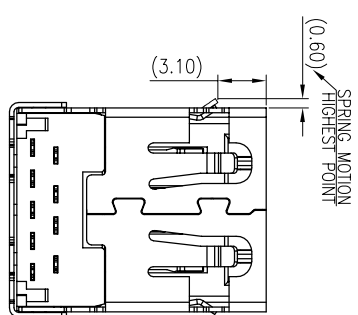
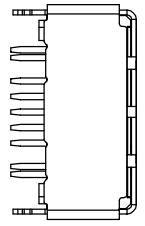
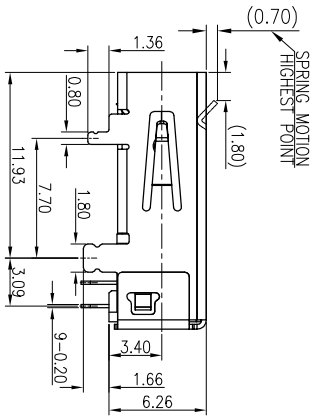
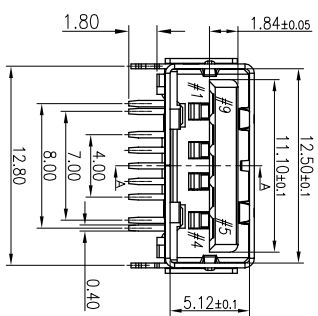


SPECIFICATIONS:

1. ELECTRICAL CHARACTERISTICS:
 - 1-1. CURRENT RATING: 1.8A (PIN1,4) ; OTHER CONTACTS 0.25A
 - 1-2. CONTACT RESISTANCE: 30mΩ (INITIAL)MAX.
 - 1-3. DIELECTRIC WITHSTANDING VOLTAGE: 500V AC FOR 1 MINUTE
 - 1-4. INSULATION RESISTANCE: 100MΩ MIN. MEASURED BY 500 VDC.
2. MECHANICAL CHARACTERISTICS:
 - 2-1. INSERTION FORCE : 35N MAX. INITIAL.
 - 2-2. WITHDRAWAL FORCE : 9.8N MIN INITIAL, 8N MIN. FOR AFTER TEST.
3. LIFE TEST: 5000 CYCLES(WHEN LIFE TEST 1500 CYCLES, INSERTION FORCE 35N MAX. WITHDRAWAL FORCE 25N MAX. 10N MIN.)
4. OTHER GENERAL SPEC TO REFER "2UB2Y90 SERIES SPEC"
5. TO CONFORM TO SINGATRON HAZARDOUS SUBSTANCE FREE SPEC.
6. HALOGEN FREE PRODUCT IDENTIFICATION MARK :
7. HALOGEN FREE PRODUCT IDENTIFICATION LABEL ON PACKAGING:
8. FOR IR REFLOW ROFILE,PEAK TEMPERATURE:260°C MAX.10SECS.
9. PACKAGING : TAPE & REEL.



STAND OFF SPRING TIP AREA P.C.B LAYOUT
 PAD TOLERANCE (TOP VIEW) ±0.05mm

| REV | ECN NO OR DESCRIPTION | REVISED | DATE |
|-----|-----------------------|---------|------------|
| A | PRODUCT RELEASE | Cheney | 18.11.14 |
| B | ECN NO.C202103-R04 | Ye wei | 2021.03.19 |
| C | ECN NO.C202309-P02 | Ye wei | 2023.10.12 |

| NO | DESCRIPTION | QTY | MATERIAL | PLATING & COLOR |
|----|-------------|-----|--------------------------|---|
| E | SHELL | 1 | STAINLESS STEEL T=0.30 | NICKEL PLATING |
| D | 4P TERMINAL | 4 | COPPER ALLOY T=0.20 | As 15μMIN. ON CONTACT AREA, WHITE Sn 100μMIN. ON SOLDER TAIL, ALL OVER IN 50μ. MIN. UNDER PLATING |
| C | 5P TERMINAL | 5 | COPPER ALLOY T=0.20 | |
| B | COVER | 1 | HIGH TEMPERATURE PLASTIC | BLACK |
| A | HOUSING | 1 | HIGH TEMPERATURE PLASTIC | BLACK |

Singatron Enterprise Co., Ltd.
信普企業股份有限公司

| DECIMALS: | ANGLES: | TITLE | USB 3.1 CONNECTOR |
|-------------|-----------|-------|-------------------|
| X : ±0.5 | X : ±2° | DWN | Ye wei |
| X.X : ±0.3 | X.X : ±1° | CHKD | Jim-deng |
| X.XX : ±0.2 | | APVD | Jim-deng |

CUSTOMER COPY