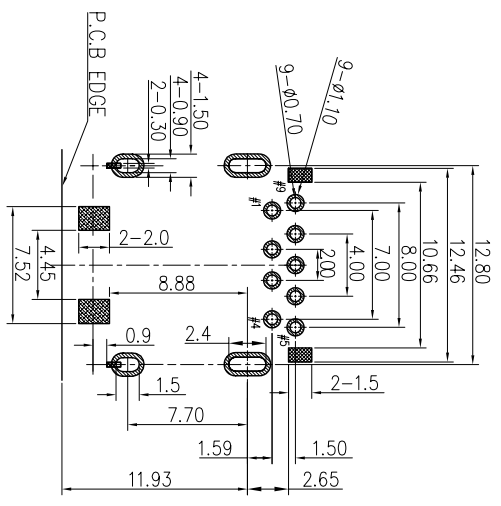
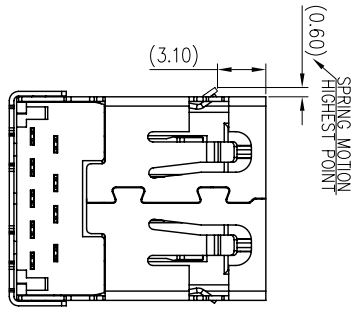
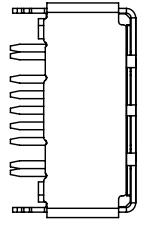
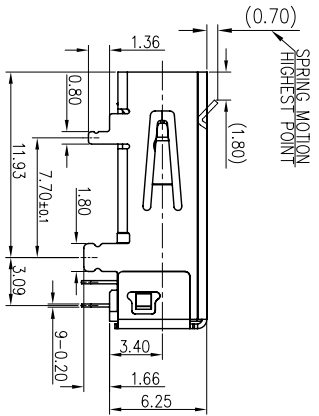
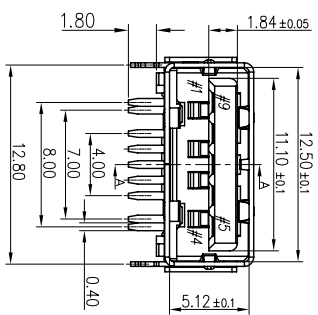
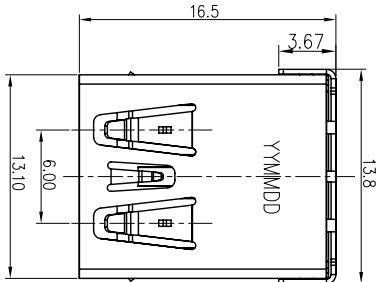
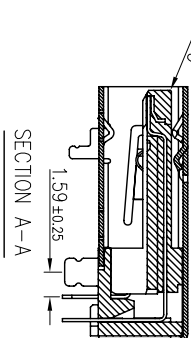
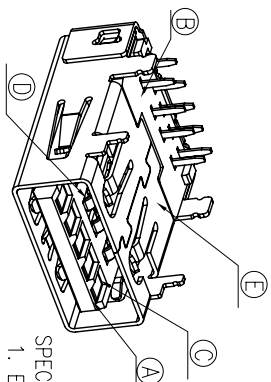


REV	EGN NO	OR DESCRIPTION	REVISED	DATE
A	PRODUCT RELEASE		Cheney	18.11.14



STAND OFF  
 SPRING TIP AREA  
 PAD

RECOMMENDED P.C.B. LAYOUT  
 TOLERANCE (TOP VIEW) ±0.05mm

- SPECIFICATIONS:
- ELECTRICAL CHARACTERISTICS:
    - CURRENT RATING: 1.8A (PIN1,4) ; OTHER CONTACTS 0.25A
    - CONTACT RESISTANCE: 30mΩ (INITIAL)MAX.
    - DIELECTRIC WITHSTANDING VOLTAGE: 500V AC FOR 1 MINUTE
    - INSULATION RESISTANCE: 100MΩ MIN. MEASURED BY 500 VDC.
  - MECHANICAL CHARACTERISTICS:
    - INSERTION FORCE : 35N MAX. INITIAL.
    - WITHDRAWAL FORCE : 9.8N MIN INITIAL, 8N MIN. FOR AFTER TEST.
    - LIFE TEST: 5000 CYCLES(WHEN LIFE TEST 1500 CYCLES, INSERTION FORCE 35N MAX. WITHDRAWAL FORCE 25N MAX. 10N MIN.)
    - OTHER GENERAL SPEC TO REFER "2UB2Y90 SERIES SPEC"
    - TO CONFORM TO SINGATRON HAZARDOUS SUBSTANCE FREE SPEC.
    - HALOGEN FREE PRODUCT IDENTIFICATION MARK : (C)
    - HALOGEN FREE PRODUCT IDENTIFICATION LABEL ON PACKAGING: (E)
    - FOR IR REFLOW ROFILE,PEAK TEMPERATURE:260°C MAX.10SECS.
    - PACKAGING : TAPE & REEL.

NO	DESCRIPTION	QTY	MATERIAL	PLATING & COLOR
E	SHELL	1	STAINLESS STEEL T=0.30	NICKEL PLATING
D	4P TERMINAL	4	COPPER ALLOY T=0.20	GOLD FLUX ON CONTACT AREA, WHITE Sn 100% MIN. ON SOLDER TAIL, ALL OVER Ni 50μ MIN. UNDER PLATING
C	5P TERMINAL	5	COPPER ALLOY T=0.20	
B	COVER	1		
A	HOUSING	1	HIGH TEMPERATURE PLASTIC	BLACK
NO	DESCRIPTION	QTY	MATERIAL	PLATING & COLOR

UNLESS OTHERWISE SPECIFIED TOLERANCES



DECIMALS:	ANGLES:	TITLE
X :±0.5	X :±2°	USB 3.1 CONNECTOR
XX :±0.3	XX :±1°	
XXX :±0.2		

APVD	DATE	SCALE	SIZE	SHEET	REV/A
18/7/15	18/7/15	1:1	A3	10F1	

CUSTOMER COPY

