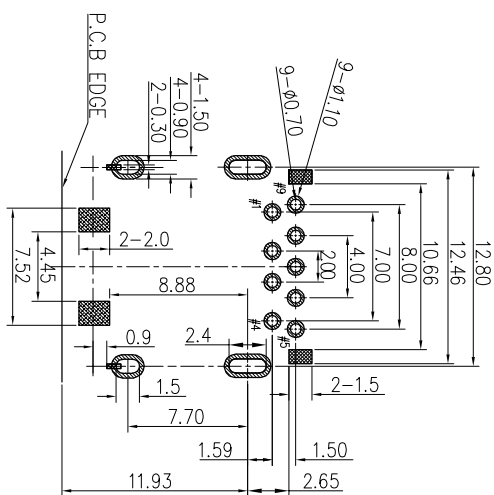
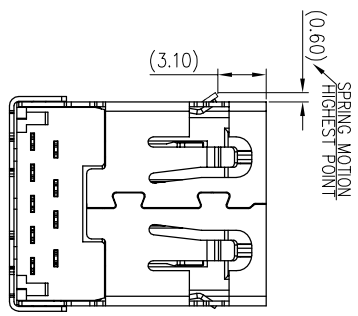
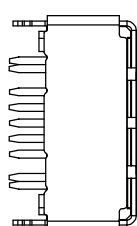
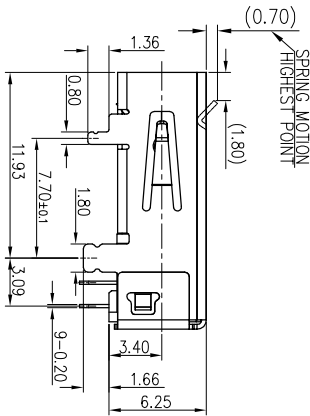
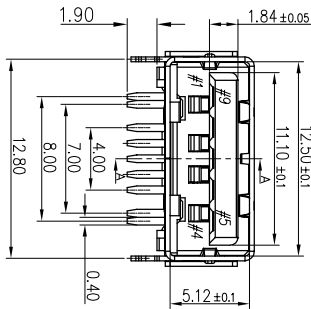


SPECIFICATIONS:

- ELECTRICAL CHARACTERISTICS:**
 - CURRENT RATING: 1.8A (PIN1,4) ; OTHER CONTACTS 0.25A
 - CONTACT RESISTANCE: 30mΩ (INITIAL)MAX.
 - DIELECTRIC WITHSTANDING VOLTAGE: 500V AC FOR 1 MINUTE
 - INSULATION RESISTANCE: 100MΩ MIN. MEASURED BY 500 VDC.
- MECHANICAL CHARACTERISTICS:**
 - INSERTION FORCE : 35N MAX. INITIAL.
 - WITHDRAWAL FORCE : 9.8N MIN INITIAL, 8N MIN. FOR AFTER TEST.
 - LIFE TEST: 5000 CYCLES(WHEN LIFE TEST 1500 CYCLES, INSERTION FORCE 35N MAX. WITHDRAWAL FORCE 25N MAX. 10N MIN.)
 - OTHER GENERAL SPEC TO REFER "2UB2Y90 SERIES SPEC"
 - TO CONFORM TO SINGATRON HAZARDOUS SUBSTANCE FREE SPEC.
 - HALOGEN FREE PRODUCT IDENTIFICATION MARK : ☉
 - HALOGEN FREE PRODUCT IDENTIFICATION LABEL ON PACKAGING:
 - FOR IR REFLOW ROFILE,PEAK TEMPERATURE:260°C MAX.10SECS.
 - PACKAGING : TAPE & REEL.



STAND OFF
 SPRING TIP AREA
 PAD

RECOMMENDED P.C.B. LAYOUT
 TOLERANCE (TOP VIEW) ±0.05mm

REV	ECN NO OR DESCRIPTION	REVISED	DATE
A	PRODUCT RELEASE	Ye wei	2023.10.27

NO	DESCRIPTION	QTY	MATERIAL	PLATING & COLOR
E	SHELL	1	STAINLESS STEEL T=0.30	NICKEL PLATING
D	4P TERMINAL	4	COPPER ALLOY T=0.20	GOOD FLASH ON CONTACT AREA, WHITE Sn 100% MIN. ON SOLDER TAIL, ALL OVER IN 50% MIN. UNDER PLATING
C	5P TERMINAL	5	COPPER ALLOY T=0.20	
B	COVER	1		BLUE
A	HOUSING	1	HIGH TEMPERATURE PLASTIC	

UNLESS OTHERWISE SPECIFIED TOLERANCES

Singatron Enterprise Co., Ltd.
信普企業股份有限公司

DECIMALS:	ANGLES:	TITLE	USB 3.1 CONNECTOR
X : ±0.5	X : ±2°	DWN	Ye wei
X.X : ±0.3	X.X : ±1°	CHKD	Jim-deng
X.XX : ±0.2		APVD	Jim-deng

CUSTOMER COPY