



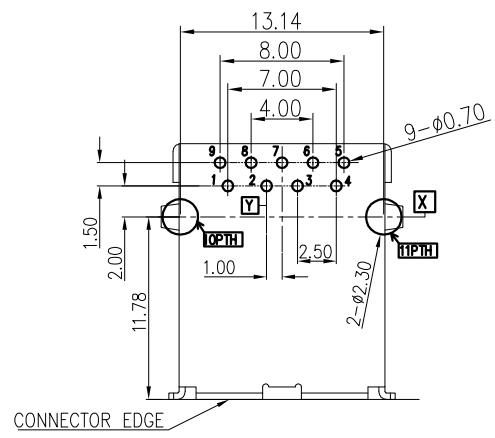
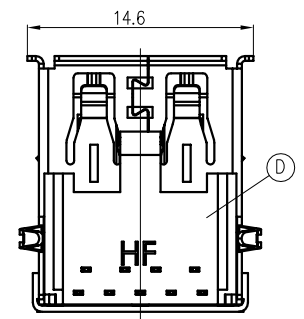
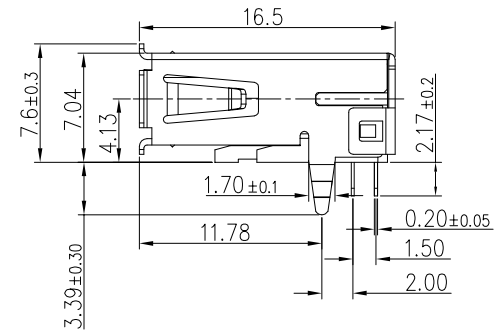
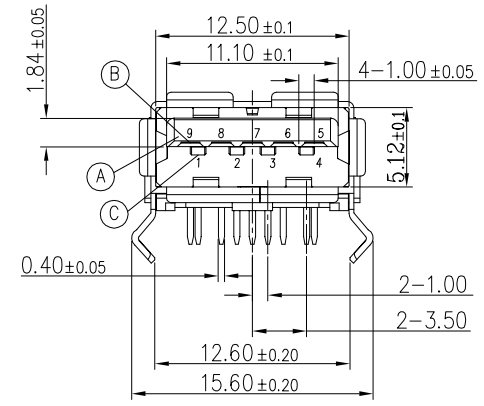
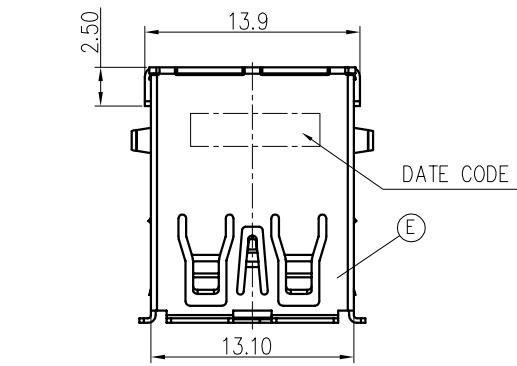
REV.	ECN NO OR DESCRIPTION	REVISED	DATE
A	PRODUCT RELEASE	Ye wei	2021.12.06

SPECIFICATIONS:

- ELECTRICAL CHARACTERISTICS:
 - CURRENT RATING: 2A (PIN1,4) ; OTHER CONTACTS 0.25A.
 - CONTACT RESISTANCE: 30mΩ MAX.(INITIAL),40mΩ(AFTER LIFE TEST)
 - DIELECTRIC WITHSTANDING VOLTAGE: 500V AC FOR 1 MINUTE
 - INSULATION RESISTANCE: 100MΩ MIN. MEASURED BY 500 VDC.
- MECHANICAL CHARACTERISTICS:
 - INSERTION FORCE : 35N MAX. INITIAL.
 - WITHDRAWAL FORCE : 9.8N MIN INITIAL, 8N MIN, FOR AFTER TEST.
- LIFE TEST: 5000 CYCLES
 - OPERATING TEMPERATURE: -55~+85°C
- OTHER GENERAL SPEC TO REFER "2UB2Y90 SERIES SPEC"
- TO CONFORM TO SINGATRON HAZARDOUS SUBSTANCE FREE SPEC.
- HALOGEN FREE PRODUCT IDENTIFICATION LABEL ON PACKAGING: 
- FOR IR REFLOW ROFILE, PEAK TEMPERATURE: 260°C MAX. 10SECS.
- PACKAGING : TAPE & REEL.

E	SHELL	1	STAINLESS STEEL	MATTE TIN ON SOLDER TAIL ALL OVER NICKEL PLATING
D	COVER	1	PA9T UL94V-0	BLUE 300C
C	USB2.0 CONTACT	4	COPPER ALLOY	Au 15u" MIN. ON CONTACT AREA MATTE TIN 80u" MIN. ON SOLDER TAIL NICKEL 50u" MIN. UNDER PLATED
B	USB3.0 CONTACT	5	COPPER ALLOY	
A	HOUSING	1	PA9T UL94V-0	BLUE 300C
NO	DESCRIPTION	QTY	MATERIAL	PLATING & COLOR
UNLESS OTHERWISE SPECIFIED TOLERANCES		 Singatron Enterprise Co., Ltd. 信音企業股份有限公司		
DECIMALS: ANGLES:		TITLE: USB3.0 CONNECTOR		
X : ±0.5 X : ±2°		DWN	Ye wei	PART NO.2UB2Y90-310711F
X.X : ±0.3 X.X : ±1°		CHKD	Jim-deng	SCALE 1:1 UNIT: mm
X.XX : ±0.2		APVD	Jim-deng	SIZE: A3 SHEET: 10F1 REV: A
CUSTOMER COPY				

PIN NO.:	SIGNAL NAME
1	VBUS
2	D-
3	D+
4	GND
5	SSRX-
6	SSRX+
7	GND_DRAIN
8	SSTX-
9	SSTX+



RECOMMENDED P.C.B. LAYOUT
TOLERANCE (TOP VIEW) ±0.05mm