
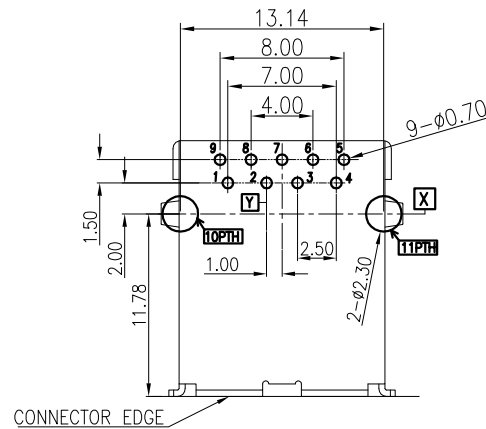
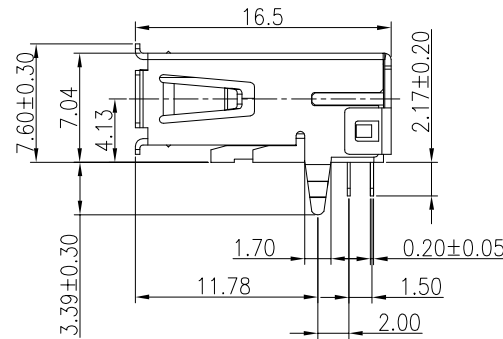
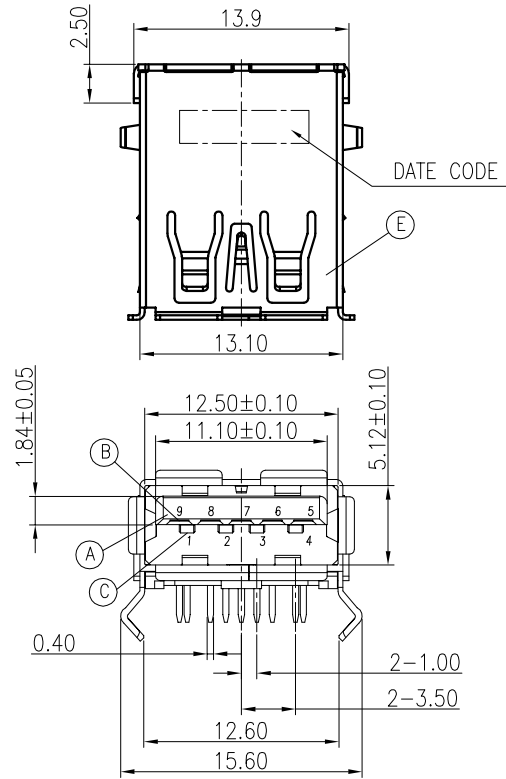


REV.	ECN NO OR DESCRIPTION	REVISED	DATE
A	PRODUCT RELEASE	Ye wei	2023.08.22



SPECIFICATIONS:

- ELECTRICAL CHARACTERISTICS:
 - CURRENT RATING: 2A (PIN1,4) ; OTHER CONTACTS 0.25A.
 - CONTACT RESISTANCE: 30mΩ MAX.(INITIAL),40mΩ(AFTER LIFE TEST)
 - DIELECTRIC WITHSTANDING VOLTAGE: 500V AC FOR 1 MINUTE
 - INSULATION RESISTANCE: 100MΩ MIN. MEASURED BY 500 VDC.
- MECHANICAL CHARACTERISTICS:
 - INSERTION FORCE : 35N MAX. INITIAL.
 - WITHDRAWAL FORCE : 9.8N MIN INITIAL, 8N MIN, FOR AFTER TEST.
- LIFE TEST: 5000 CYCLES
 - OPERATING TEMPERATURE: -55°~+85°C
- OTHER GENERAL SPEC TO REFER "2UB2Y90 SERIES SPEC"
- TO CONFORM TO SINGATRON HAZARDOUS SUBSTANCE FREE SPEC.
- HALOGEN FREE PRODUCT IDENTIFICATION LABEL ON PACKAGING: 
- FOR IR REFLOW ROFILE, PEAK TEMPERATURE: 260°C MAX. 10SECS.
- PACKAGING :TRAY.



RECOMMENDED P.C.B. LAYOUT
TOLERANCE (TOP VIEW) ±0.05mm

PIN NO.:	SIGNAL NAME
1	VBUS
2	D-
3	D+
4	GND
5	SSRX-
6	SSRX+
7	GND_DRAIN
8	SSTX-
9	SSTX+

NO	DESCRIPTION	QTY	MATERIAL	PLATING & COLOR
E	SHELL	1	STAINLESS STEEL	MATTE TIN ON SOLDER TAIL ALL OVER NICKEL PLATING
D	COVER	1	PA9T UL94V-0	BLACK
C	USB2.0 CONTACT	4	COPPER ALLOY	
B	USB3.0 CONTACT	5	COPPER ALLOY	Au 15u" MIN. ON CONTACT AREA MATTE TIN 80u" MIN. ON SOLDER TAIL NICKEL 50u" MIN. UNDER PLATED
A	HOUSING	1	PA9T UL94V-0	BLACK
UNLESS OTHERWISE SPECIFIED TOLERANCES				
DECIMALS: ANGLES:				
X :±0.5 X :±2°				
X.X :±0.3 X.X :±1°				
X.XX :±0.2				
 Singatron Enterprise Co., Ltd. 信音企業股份有限公司				
TITLE: USB3.0 CONNECTOR				
DWN	Ye wei	PART NO.2UB2Y90-320712F		
CHKD	Jim-deng	SCALE 1:1	UNIT: mm	
APVD	Jim-deng	SIZE: A3	SHEET: 10F1	REV: A
CUSTOMER COPY				