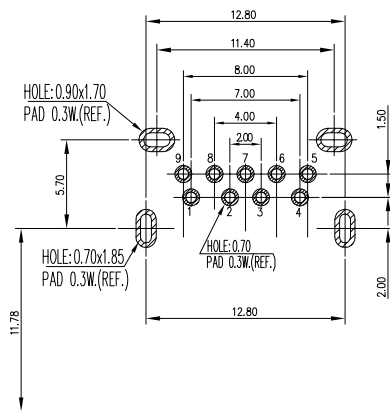
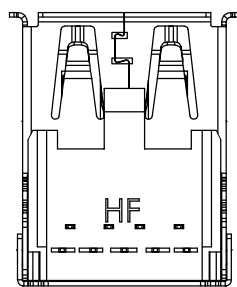
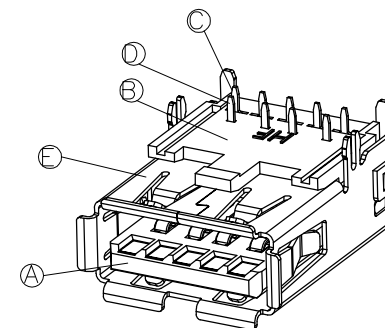
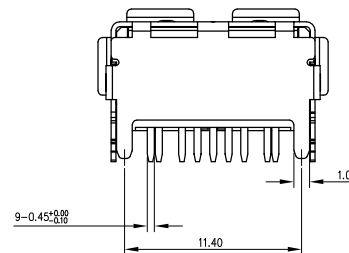
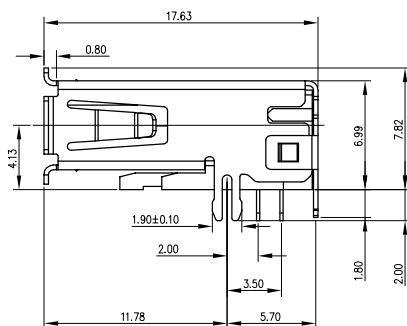
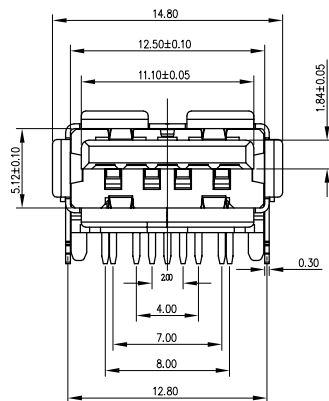
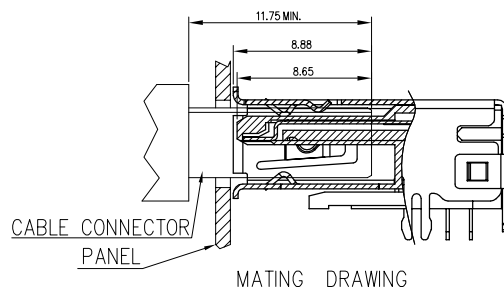
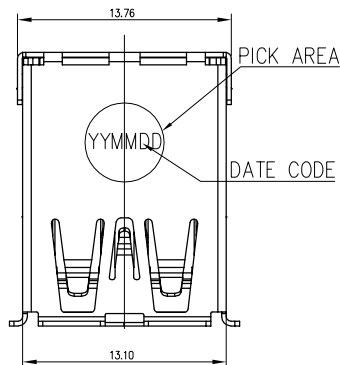


REV.	ECN NO OR DESCRIPTION	REVISED	DATE
A	PRODUCT RELEASE	YE WEI	2021.01.15



RECOMMENDED P.C.B. LAYOUT
TOLERANCE (TOP VIEW) ±0.05mm

SPECIFICATIONS:

- ELECTRICAL CHARACTERISTICS:
 - CURRENT RATING: 1.8A (PIN1,4) ; OTHER CONTACTS 0.25A
 - CONTACT RESISTANCE: 30mΩ MAX.(INITIAL)
 - DIELECTRIC WITHSTANDING VOLTAGE: 500V AC FOR 1 MINUTE
 - INSULATION RESISTANCE: 100MΩ MIN. MEASURED BY 500 VDC.
- MECHANICAL CHARACTERISTICS:
 - INSERTION FORCE : 35N MAX. INITIAL.
 - WITHDRAWAL FORCE : 9.8N MIN INITIAL, 8N MIN, FOR AFTER TEST.
- LIFE TEST: 5000 CYCLES
 - OPERATING TEMPERATURE: -55~+85°C
- OTHER GENERAL SPEC TO REFER "2UB2Y90 SERIES SPEC"
- TO CONFORM TO SINGATRON HAZARDOUS SUBSTANCE FREE SPEC.
- HALOGEN FREE PRODUCT IDENTIFICATION MARK : Ⓞ
- HALOGEN FREE PRODUCT IDENTIFICATION LABEL ON PACKAGING: Ⓞ
- FOR IR REFLOW ROFILE, PEAK TEMPERATURE: 260°C MAX. 10SECS.
- PACKAGING : TAPE & REEL.

E	SHELL	1	STAINLESS STEEL T=0.30	NICKEL PLATING
D	4P TERMINAL	4	COPPER ALLOY T=0.20	GOLD FLASH ON CONTACT AREA, MATTE Sn 100u"MIN. ON SOLDER TAIL, ALL OVER NICKEL PLATING
C	5P TERMINAL	5	COPPER ALLOY T=0.20	
B	BLOCK	1	PA9T+30%GF UL94V-0	BLACK
A	HOUSING	1	PA9T+30%GF UL94V-0	RED(194C)After IR
NO	DESCRIPTION	QTY	MATERIAL	PLATING & COLOR
UNLESS OTHERWISE SPECIFIED TOLERANCES			Singatron Enterprise Co., Ltd. 信音企業股份有限公司	
DECIMALS:		ANGLES:		
X	: ±0.5	X	: ±2°	
X.X	: ±0.3	X.X	: ±1°	
X.XX	: ±0.2			
TITLE	USB 3.1 CONNECTOR			
DWN	Ye Wei	PART NO.2UB2Y90-335111F		
CHKD	jim-deng	SCALE	1:1	UNIT: mm
APVD	jim-deng	SIZE:	A3	SHEET: 10F1
REV: A				
CUSTOMER COPY				

PIN NO.:	SIGNAL NAME
1	VBUS
2	D-
3	D+
4	GND
5	SSRX-
6	SSRX+
7	GND_DRAIN
8	SSTX-
9	SSTX+