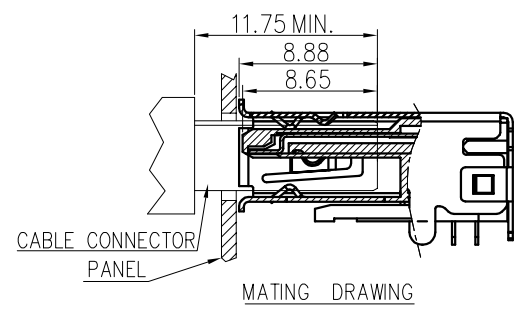
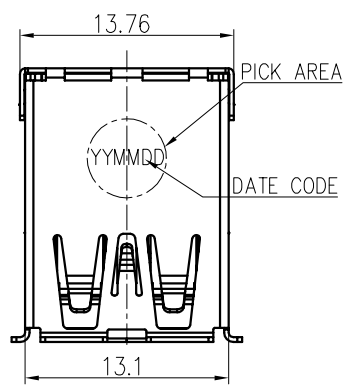
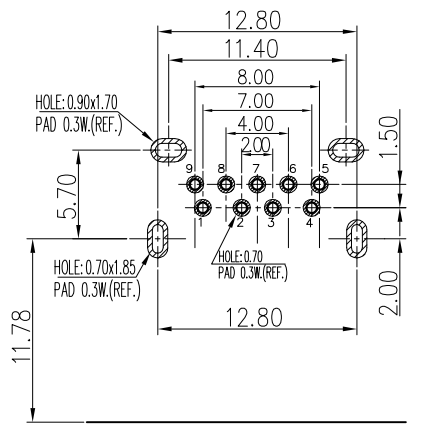
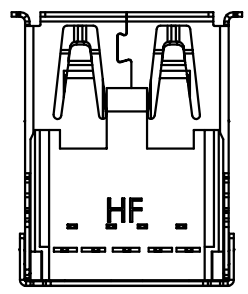
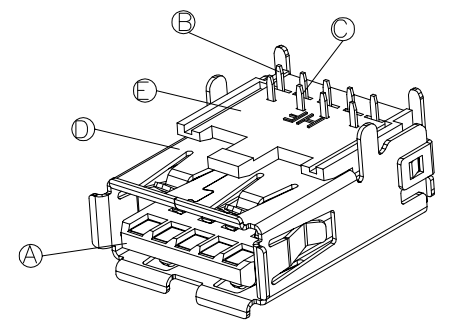
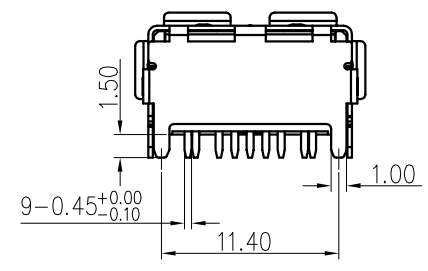
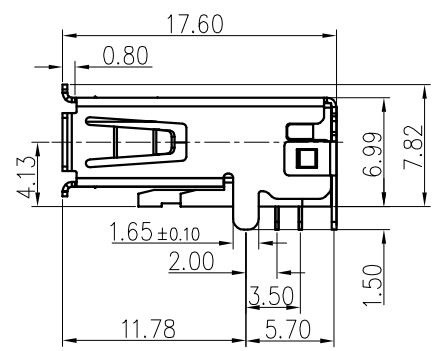
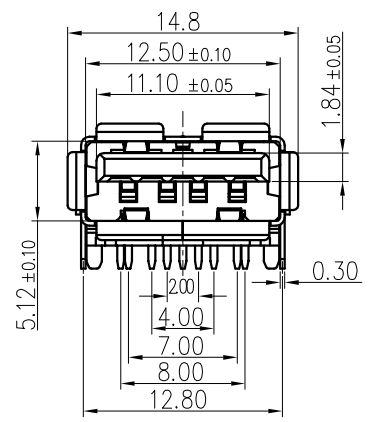


REV.	ECN NO OR DESCRIPTION	REVISED	DATE
A	PRODUCT RELEASE	Ye wei	2023.03.22



- SPECIFICATIONS:
- ELECTRICAL CHARACTERISTICS:
    - 1-1. CURRENT RATING: 1.8A (PIN1,4) ; OTHER CONTACTS 0.25A
    - 1-2. CONTACT RESISTANCE: 30mΩ MAX.(INITIAL)
    - 1-3. DIELECTRIC WITHSTANDING VOLTAGE: 500V AC FOR 1 MINUTE
    - 1-4. INSULATION RESISTANCE: 100MΩ MIN. MEASURED BY 500 VDC.
  - MECHANICAL CHARACTERISTICS:
    - 2-1. INSERTION FORCE : 35N MAX. INITIAL.
    - 2-2. WITHDRAWAL FORCE : 9.8N MIN INITIAL, 8N MIN, FOR AFTER TEST.
  - LIFE TEST: 5000 CYCLES
    - 3-1.OPERATING TEMPERATURE:-55~+85°C
  - OTHER GENERAL SPEC TO REFER "2UB2Y90 SERIES SPEC"
  - TO CONFORM TO SINGATRON HAZARDOUS SUBSTANCE FREE SPEC.
  - HALOGEN FREE PRODUCT IDENTIFICATION MARK : Ⓢ
  - HALOGEN FREE PRODUCT IDENTIFICATION LABEL ON PACKAGING: Ⓢ
  - FOR IR REFLOW ROFILE,PEAK TEMPERATURE:260°C MAX.10SECS.
  - PACKAGING : TAPE & REEL.



RECOMMENDED P.C.B. LAYOUT  
TOLERANCE (TOP VIEW) ±0.05mm

PIN NO.:	SIGNAL NAME
1	VBUS
2	D-
3	D+
4	GND
5	SSRX-
6	SSRX+
7	GND_DRAIN
8	SSTX-
9	SSTX+

DESCRIPTION	QTY	MATERIAL	PLATING & COLOR
E BLOCK	1	PA9T+30%GF UL94V-0	BLACK
D SHELL	1	STAINLESS STEEL T=0.30	ALL OVER NICHEL 50u"MIN.
C 4P TERMINAL	4	COPPER ALLOY T=0.20	Au 15u" ON CONTACT AREA, MATTIE Sn 100u"MIN. ON SOLDER TAIL, ALL OVER NICKEL PLATING
B 5P TERMINAL	5	COPPER ALLOY T=0.20	RED(194C)After IR
A HOUSING	1	PA9T+30%GF UL94V-0	RED(194C)After IR

UNLESS OTHERWISE SPECIFIED TOLERANCES

DECIMALS: ANGLES:

X :±0.5 X :±2°  
X.X :±0.3 X.X :±1°  
X.XX :±0.2

**Singatron Enterprise Co., Ltd.**  
**信音企業股份有限公司**

TITLE: USB 3.1 CONNECTOR

DWN: Ye wei PART NO.2UB2Y90-341511F

CHKD: jim-deng SCALE 1:1 UNIT: mm

APVD: jim-deng SIZE: A3 SHEET: 10F1 REV: A

CUSTOMER COPY