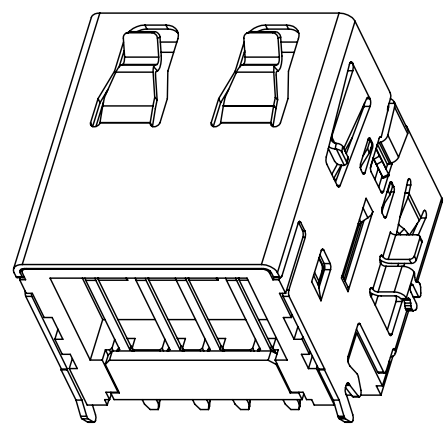
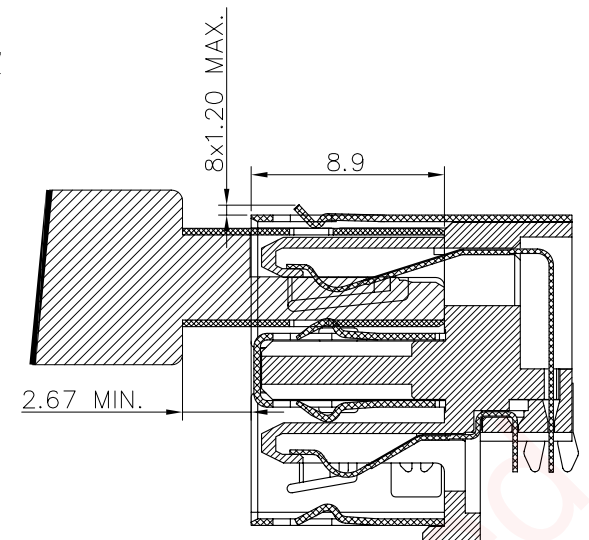
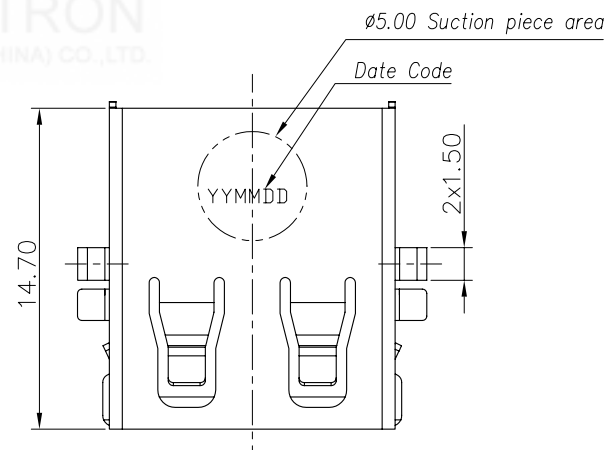


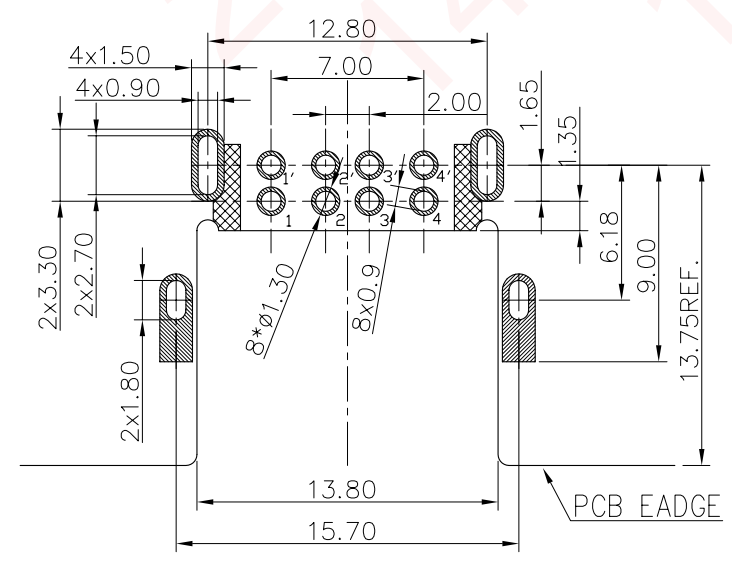
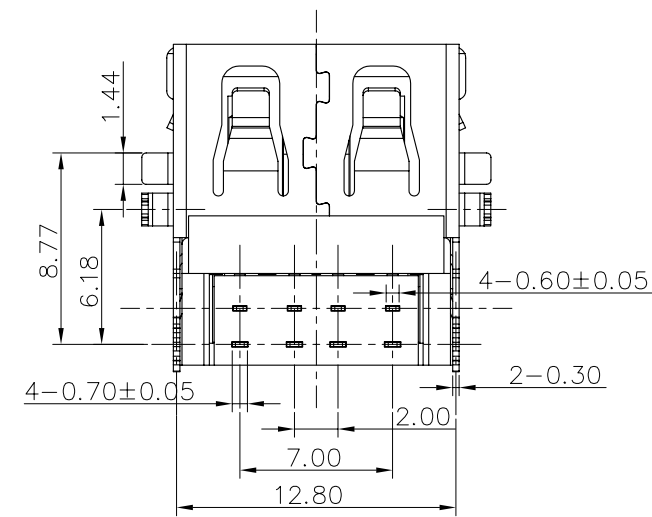
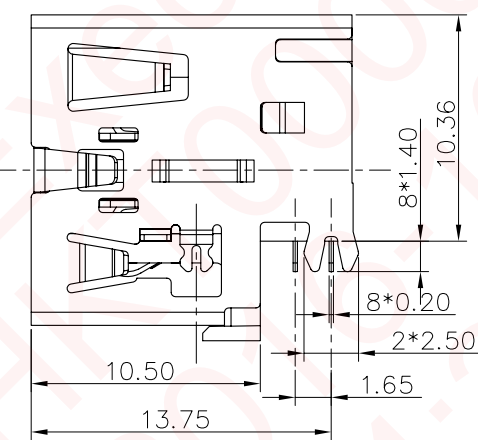
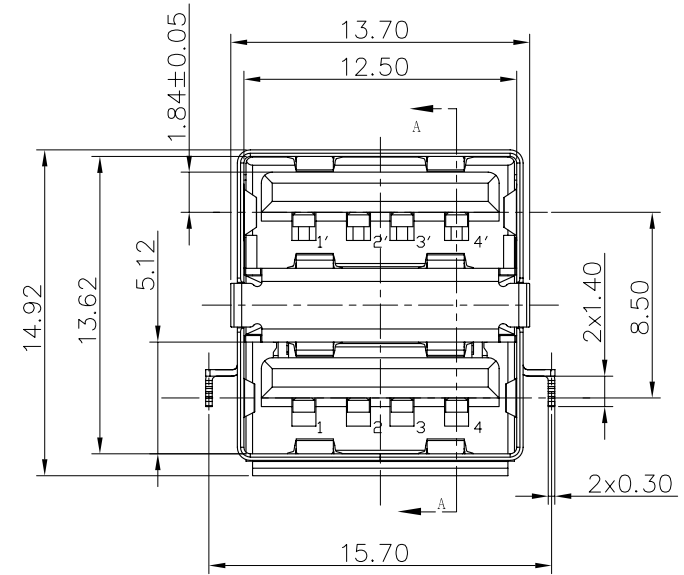
REV.	ECN NO OR DESCRIPTION	REVISED	DATE
A	PRODUCT RELEASE	BILL	2016/09/23



SEC. A-A

SPECIFICATIONS:

- ELECTRICAL CHARACTERISTICS:
 - CONTACT CURRENT RATING: 30V, 1.0A
 - CONTACT RESISTANCE: 30mΩ MAX. INITIAL.
 - INSULATION RESISTANCE: 1,000MΩ MIN. MEASURED BY 500 VDC.
 - DIELECTRIC WITHSTANDING VOLTAGE: 500V AC FOR 1 MINUTE.
- MECHANICAL CHARACTERISTICS:
 - INSERTION FORCE: 3.5Kgf MAX.
 - WITHDRAWAL FORCE: 0.7Kgf MIN..
- LIFE TEST: 1,500 CYCLES.
- OPERATING TEMPERATURE -20~85°
- TO CONFORM TO THE SINGATRON HAZARDOUS SUBSTANCE FREE SPEC.
- HALOGEN FREE PRODUCT IDENTIFICATION LABEL ON PACKAGING.
- FOR REFLOW SOLDERING LEAD-FREE PROCESS.
- PACKAGING: TAPE & REEL.



F	SHELL	1	Stainless Steel T=0.30mm	NICKEL PLATING
E	FINGER	1	Stainless Steel T=0.30mm	NICKEL PLATING
D	CONTACT 2	4	Copper Alloy T=0.2mm	AU 1u" ON CONTACT AREA PLATING SOLDER AREA: 50~150u" TIN PLATING
C	CONTACT 1	4	Copper Alloy T=0.2mm	ALL OVER NICKEL PLATING
B	COVER	1	High Temperature Plastic	BLACK
A	HOUSING	1	High Temperature Plastic	BLACK
NO	DESCRIPTION	QTY	MATERIAL	PLATING & COLOR

UNLESS OTHERWISE SPECIFIED TOLERANCES		Singatron Enterprise Co., Ltd. 周吉洲		
DECIMALS:	ANGLES:	TITLE	DOUBLE USB2.0 AF CONNECTOR	
X : ±0.5	X : ±2°	DWN	Bill-Zhang 16/09/29	PART NO. 2UB2Y92-000111F
X.X : ±0.3	X.X : ±1°	CHKD	Justin-Kuo 16/09/29	SCALE 3:1 UNIT: mm
X.XX : ±0.2		APVD	Max-Mai 16/09/29	SIZE: A3 SHEET: 10F1 REV: A
CUSTOMER COPY				