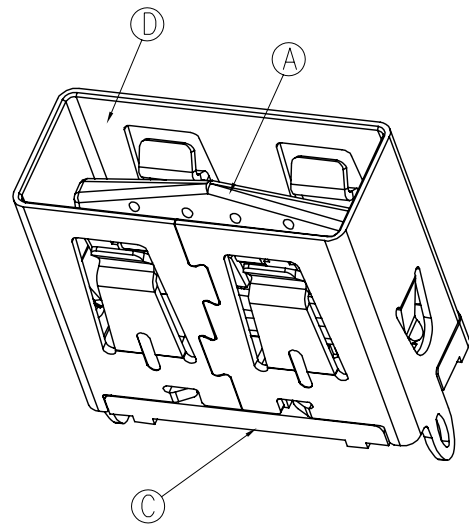
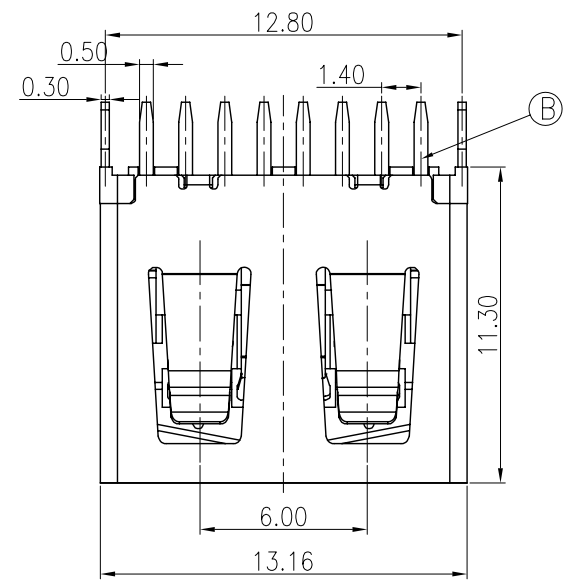
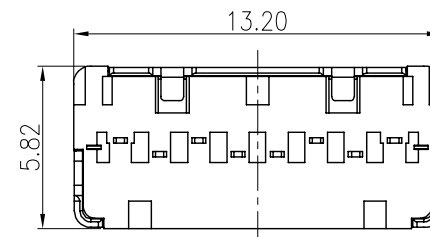
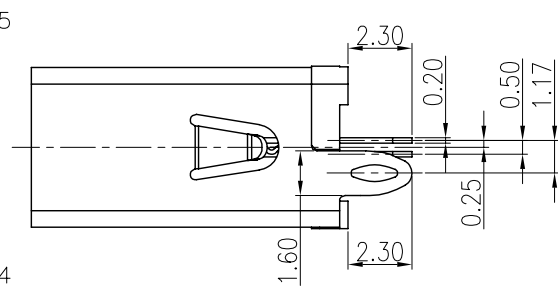
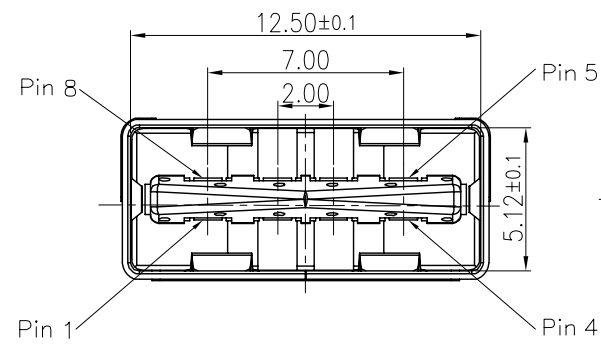


REV.	ECN NO OR DESCRIPTION	REVISED	DATE
A	Product Release	Bela	2017.05.03

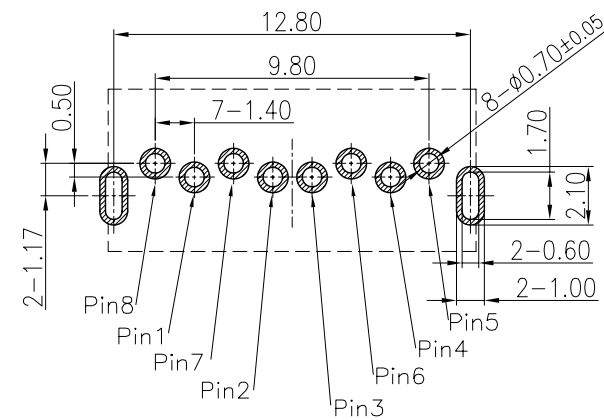
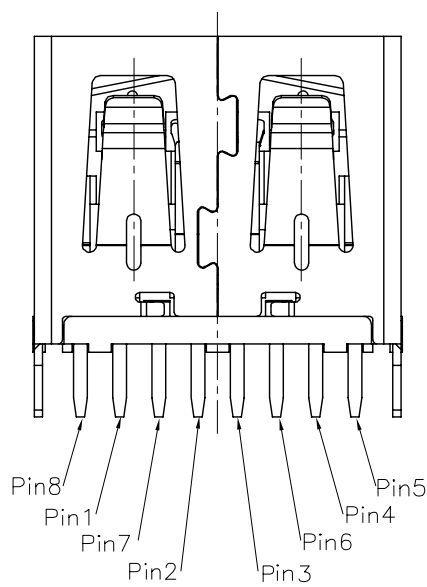


SPECIFICATIONS:

- ELECTRICAL CHARACTERISTICS:**
 - 1-1. RATING: 30V 3A
 - 1-2. CONTACT RESISTANCE: 30mΩ MAX.(INITIAL)
 - 1-3. DIELECTRIC WITHSTANDING VOLTAGE: 500V AC FOR ONE MINUTE.
 - 1-4. INSULATION RESISTANCE: 100MΩ MIN. MEASURED BY 500 VDC
- MECHANICAL CHARACTERISTICS:**
 - 2-1. INSERTION FORCE : 3.5 KGF Max.
 - 2-2. WITHDRAWAL FORCE : 1.0 KGF Min.
- LIFE TEST: 3,000 CYCLES**
- TO CONFORM TO SINGATRON HAZARDOUS SUBSTANCE FREE SPEC.**
- HALOGEN FREE PRODUCT IDENTIFICATION LABEL ON PACKAGING:**
- FOR WAVE SOLDERING LEAD-FREE PROCESS.**
- PACKAGING: TAPE & REEL.**
- WHEN YOU USE ,YOU DON'T NEED PAY ATTENTION ON THE DIRECTION. IT SUPPORT TWO DIRECTIONS.**



Pin Assignments	
Pin	Signal Name
1 & 5	V-Bus
2 & 6	D-
3 & 7	D+
4 & 8	GND



RECOMMENDED PCB LAYOUT(TOP VIEW)
GENERAL TOLERANCES:±0.05

D	DESCRIPTION	QTY	MATERIAL	PLATING & COLOR
D	SHELL	1	COPPER ALLOY	NICKEL PLATING
C	CONTACT 2	1	COPPER ALLOY	GOLD FLASH PLATING ON CONTACT AREA MATTE TIN ON SOLDER AREA ALL OVER NICKEL PLATING
B	CONTACT 1	1	COPPER ALLOY	GOLD FLASH PLATING ON CONTACT AREA MATTE TIN ON SOLDER AREA ALL OVER NICKEL PLATING
A	HOUSING	1	THERMOPLASTICS UL94V-0	BLACK
NO	DESCRIPTION	QTY	MATERIAL	PLATING & COLOR
UNLESS OTHERWISE SPECIFIED TOLERANCES		Singatron Enterprise Co., Ltd. 信音企業股份有限公司		
DECIMALS:		TITLE		
X	:±0.5	USB 2.0 A TYPE 180° CONNECTOR		
X.X	:±0.3	DWN Bela-Oiu 17/05/11 PART NO. 2UB2Y98-200111F		
X.XX	:±0.2	CHKD Justin-Kuo 17/05/11 SCALE 4:1 UNIT: mm		
		APVD Max-Mai 17/05/11 SIZE: A3 SHEET: 10F1 REV: A		
CUSTOMER COPY				