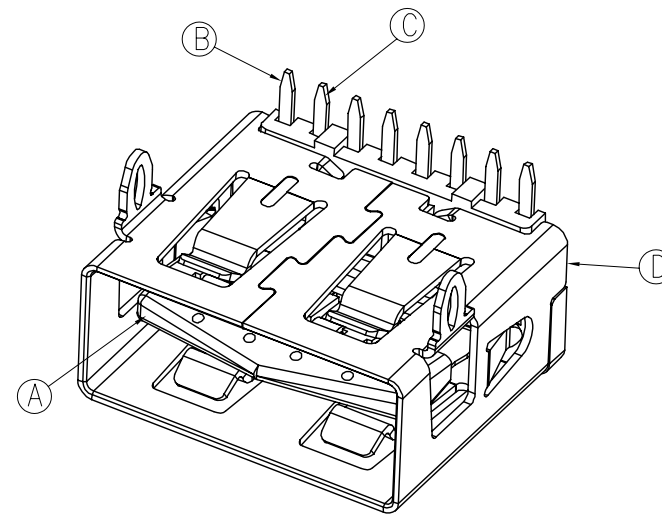
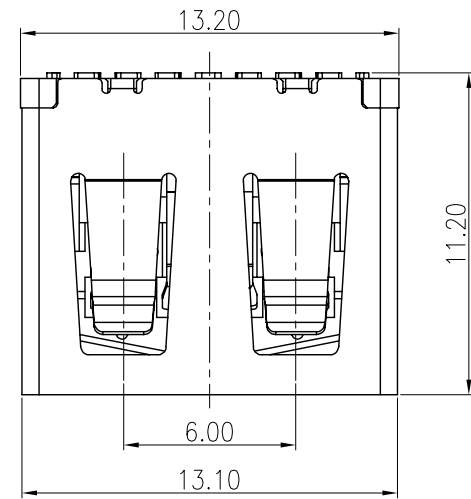
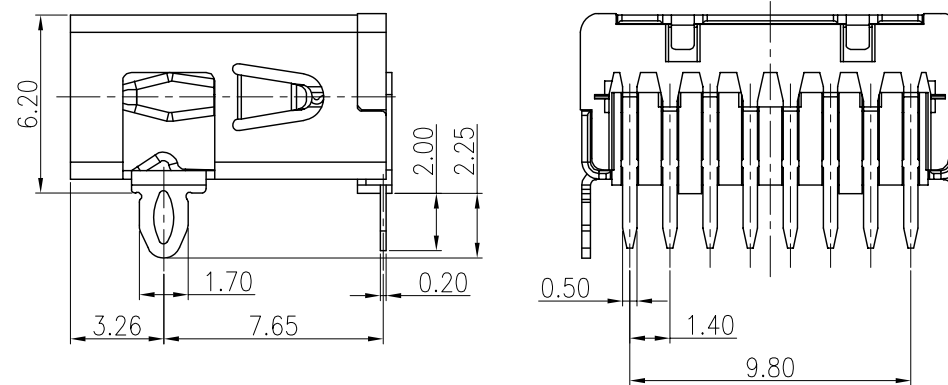
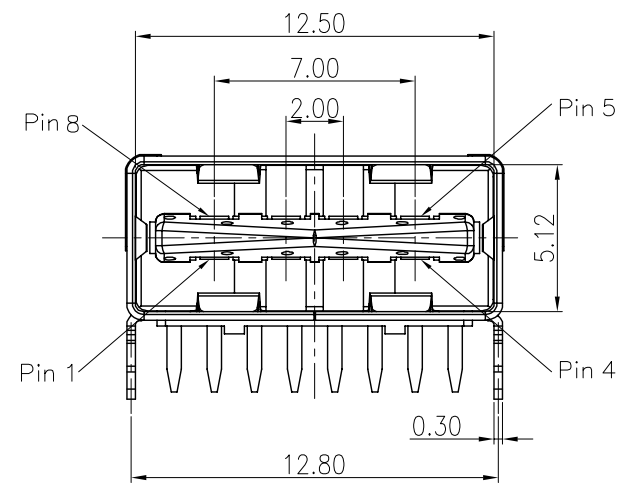


REV.	ECN NO OR DESCRIPTION	REVISED	DATE
A	Product Release	Bela	2017.05.03

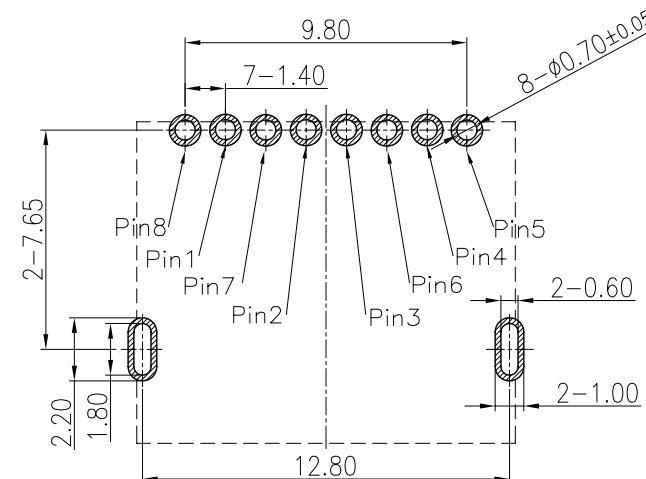
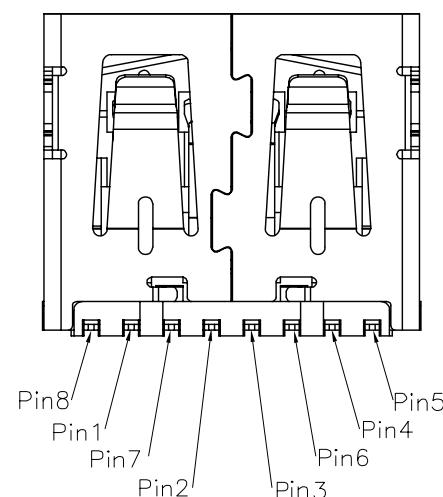


SPECIFICATIONS:

- ELECTRICAL CHARACTERISTICS:**
 - 1-1. RATING: 30V 3A
 - 1-2. CONTACT RESISTANCE: 30mΩ MAX.(INITIAL)
 - 1-3. DIELECTRIC WITHSTANDING VOLTAGE: 500V AC FOR ONE MINUTE.
 - 1-4. INSULATION RESISTANCE: 100MΩ MIN. MEASURED BY 500 VDC
- MECHANICAL CHARACTERISTICS:**
 - 2-1. INSERTION FORCE : 3.5 KGF Max.
 - 2-2. WITHDRAWAL FORCE : 1.0 KGF Min.
- LIFE TEST: 3,000 CYCLES**
- TO CONFORM TO SINGATRON HAZARDOUS SUBSTANCE FREE SPEC.**
- HALOGEN FREE PRODUCT IDENTIFICATION LABEL ON PACKAGING:**
- FOR WAVE SOLDERING LEAD-FREE PROCESS.**
- PACKAGING: TAPE & REEL.**
- WHEN YOU USE ,YOU DON'T NEED PAY ATTENTION ON THE DIRECTION. IT SUPPORT TWO DIRECTIONS.**



Pin Assignments	
Pin	Signal Name
1 & 5	V-Bus
2 & 6	D-
3 & 7	D+
4 & 8	GND



RECOMMENDED PCB LAYOUT(TOP VIEW)
GENERAL TOLERANCES:±0.05

D	SHELL	1	COPPER ALLOY	NICKEL PLATING
C	CONTACT 2	1	COPPER ALLOY	GOLD FLASH PLATING ON CONTACT AREA MATTE TIN ON SOLDER AREA ALL OVER NICKEL PLATING
B	CONTACT 1	1	COPPER ALLOY	GOLD FLASH PLATING ON CONTACT AREA MATTE TIN ON SOLDER AREA ALL OVER NICKEL PLATING
A	HOUSING	1	THERMOPLASTICS UL94V-0	BLACK
NO	DESCRIPTION	QTY	MATERIAL	PLATING & COLOR

UNLESS OTHERWISE SPECIFIED TOLERANCES

Singatron Enterprise Co., Ltd.
信音企業股份有限公司

DECIMALS: ANGLES:
X :±0.5 X :±2°
X.X :±0.3 X.X :±1°
X.XX :±0.2

TITLE	USB 2.0 A TYPE 90° CONNECTOR			
DWN	Bela-Qiu 17/05/11	PART NO.	2UB2Y98-200112F	
CHKD	Justin-Kuo 17/05/11	SCALE 4:1	UNIT: mm	
APVD	Max-Mai 17/05/11	SIZE: A3	SHEET: 10F1	REV: A

CUSTOMER COPY