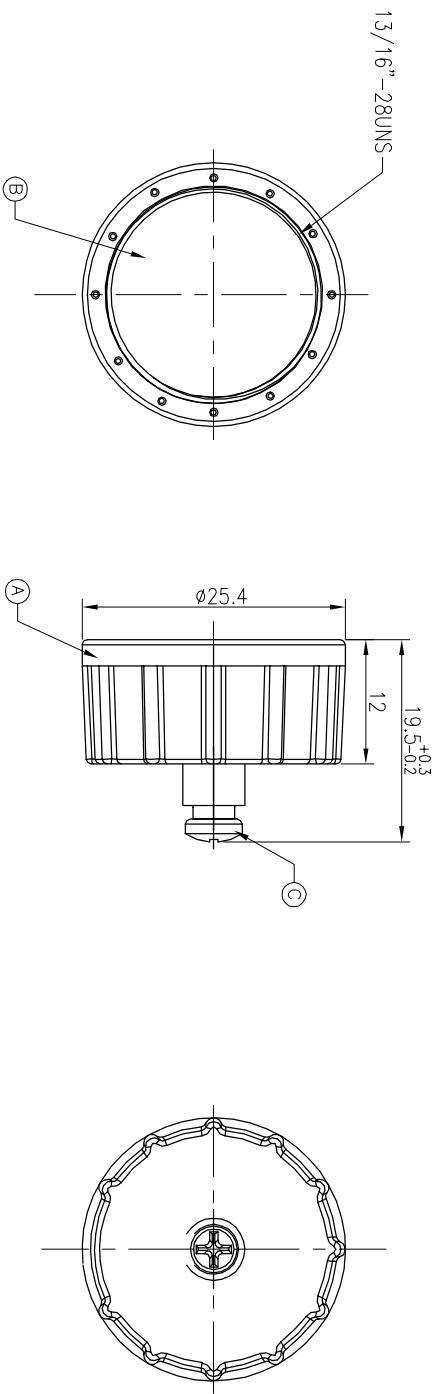


| REV. | ECN NO.            | OR DESCRIPTION | REVISED | DATE       |
|------|--------------------|----------------|---------|------------|
| A    | PDR NO.:A210715-3A |                | RZ      | 2021.10.21 |



- NOTES:
1. WATERPROOF RATE: IP67(WHEN PROPERLY MATED)
  2. TO CONFORM TO SINGATRON HAZARDOUS SUBSTANCE FREE SPEC.
  3. GREEN PRODUCT IDENTIFICATION LABEL ON PACKAGING:

|  |             |                         |                 |                 |
|--|-------------|-------------------------|-----------------|-----------------|
| C  | SCREW       | 1                       | STAINLESS STEEL | N/A             |
| B  | GASKET      | 1                       | EPDM            | BLACK           |
| A  | SCREW NUT   | 1                       | PPE             | BLACK           |
| NO   | DESCRIPTION | QTY                     | MATERIAL        | PLATING & COLOR |
| UNLESS OTHERWISE SPECIFIED TOLERANCES                      |             |                         |                 |                 |
| Suzhou Singatron Auto Electronics CO.,LTD.<br>苏州信通汽车电子有限公司 |             |                         |                 |                 |
| DECIMALS: ANGLES:  |             |                         |                 |                 |
| X  | :±0.50      | X                       | :±1°            |                 |
| X.X  | :±0.30      | X.X                     | :±0.5°          |                 |
| X.XX   | :±0.20      |                         |                 |                 |
| TITLE WATERPROOF CAP SCREW TYPE (IP67)                     |             |                         |                 |                 |
| DMN  | RZ          | PART NO.2UB3001-W000AWH |                 |                 |
| CHKD   | Jun         | SCALE 2:1               | UNIT: mm        |                 |
| APVD   | JF          | SIZE: A4                | SHEET: 1 OF 1   | REV: A          |

CUSTOMER COPY