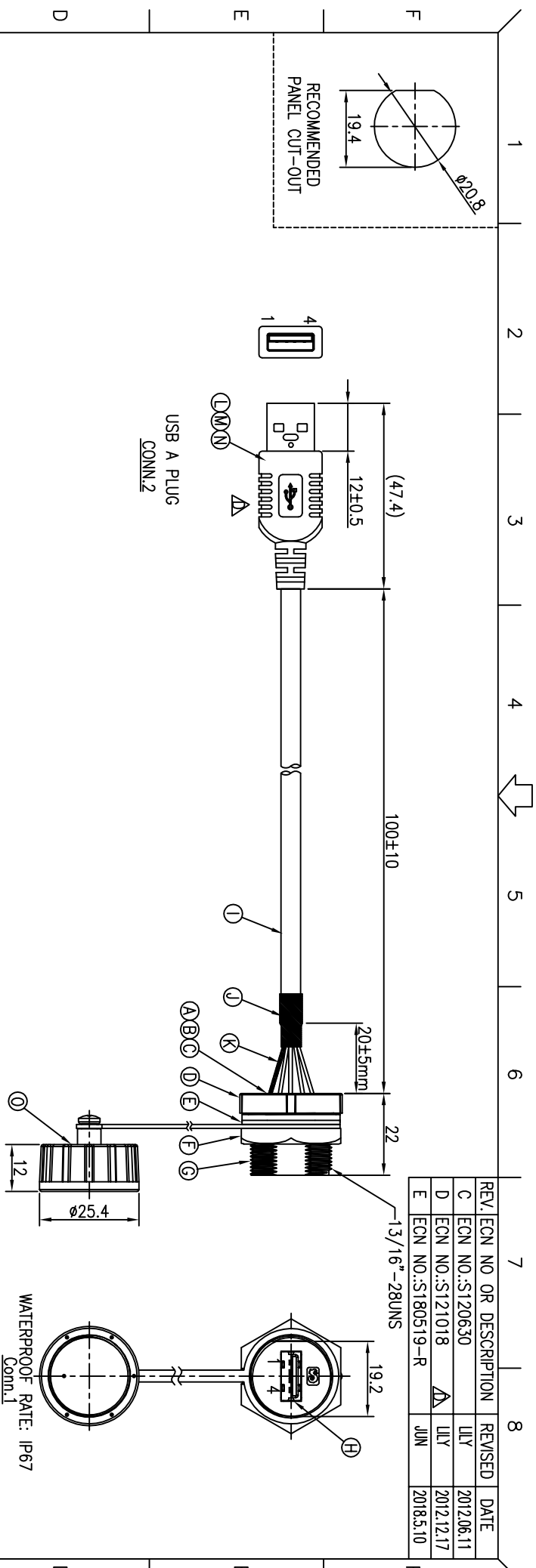


REV.	ECN NO OR DESCRIPTION	REVISED	DATE
C	ECN NO.:S120630	ULY	2012.06.11
D	ECN NO.:S121018	ULY	2012.12.17
E	ECN NO.:S180519-R	JUN	2018.5.10

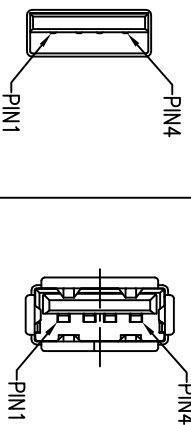


SHIELD	DRAIN	SHIELD
4	BLACK(24AWG)	4
3	GREEN(28AWG)	3
2	WHITE (28AWG)	2
1	RED (24AWG)	1
CONN.2	WIRE COLOR	CONN.1
	PIN OUT	

NOTES:

1. WATERPROOF RATE: IP67
2. RATING: 30V 1A
3. SPECIFICATIONS:SEE "USB SERIES SPECIFICATIONS".
4. TO CONFORM TO SINGATRON HAZARDOUS SUBSTANCE FREE SPEC.
5. GREEN PRODUCT IDENTIFICATION LABEL ON PACKAGING:
6. FOR PANEL THICKNESS MAX:2.5mm

Twist



Pin Assignments
Front View

Pin Assignments
Front View

0	WATERPROOF CAP	1	P/N:2UB3001-W00000W	N/A
N	USB PLUG	1	USB2.0 PLUG	N/A

M	OVER MOLD	1	PVC	BLACK
L	INNER MOLD	1	PE	NATURAL
K	SHRINK TUBE	1	Ø1*20	BLACK
J	SHRINK TUBE	1	Ø5*15	BLACK
I	CABLE	1	USB2.0 28#*1P+24#*2C+ADB,UV Resistant	BLACK(PVC JACKET)
H	USB A JACK	1	P/N:2UB1518-000111	N/A
G	HOUSING	1	PPE	BLACK
F	SCREW NUT	1	PPE	BLACK
E	GASKET	1	EPDM	BLACK
D	SEALING NUT	1	PPE	BLACK
C	THERMAL GLUE	1	Ø7	NATURAL
B	O-RING	1	EPDM	BLACK
A	PCB	1	FR-4	GREEN
NO	DESCRIPTION	QTY	MATERIAL	PLATING & COLOR

UNLESS OTHERWISE SPECIFIED TOLERANCES

Singatron Enterprise Co., Ltd.
信音企業股份有限公司

TITLE WATERPROOF USB2.0 JACK TO USB PLUG

DECIMALS: ANGLES: X :±0.5 X :±2 X X :±0.3 X X :±1 X X X :±0.2

APVD	Stew	SIZE: A3	SHEET:1 OF 1	REV: E
------	------	----------	--------------	--------

CUSTOMER COPY