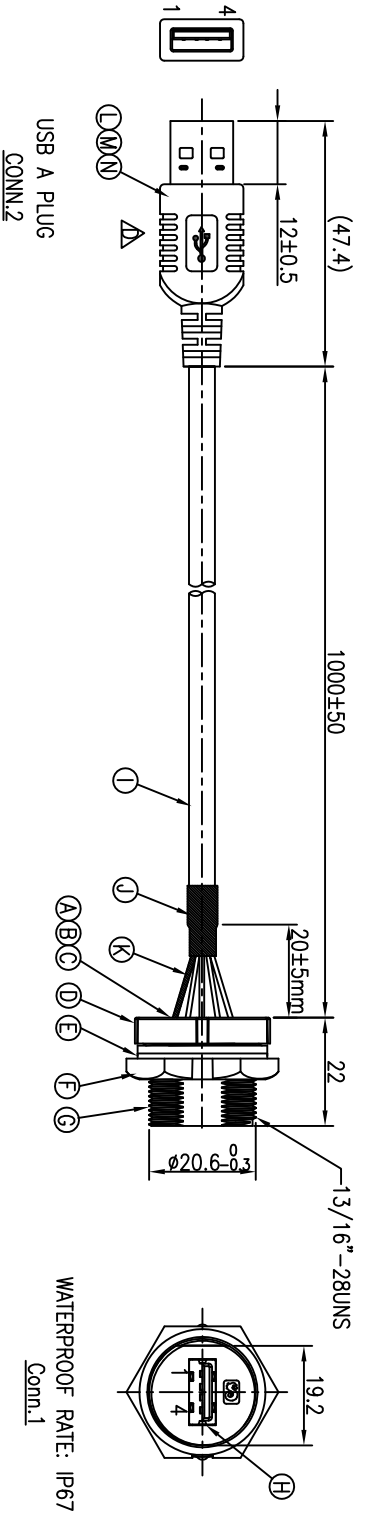
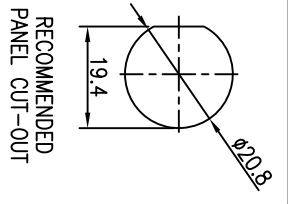
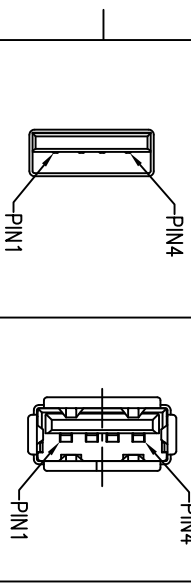
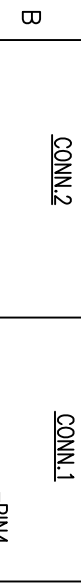


REV.	ECN NO OR DESCRIPTION	REVISED	DATE
A	PDR NO.:T100422-1A	Shown	2010.05.31
B	ECN NO.:S111040	LLY	2011.11.21
C	ECN NO.:S120630	LLY	2012.06.11
D	ECN NO.:S121018	LLY	2012.12.17



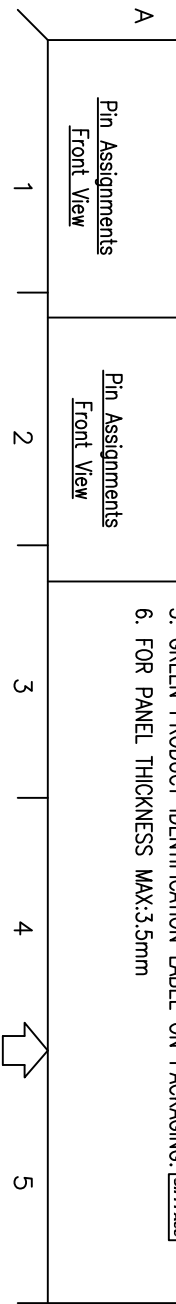
SHIELD	DRAIN	SHIELD
4	BLACK(24AWG)	4
3	GREEN(28AWG)	3
2	WHITE (28AWG)	2
1	RED (24AWG)	1
CONN.2 WIRE COLOR		CONN.1
PIN OUT		

Twist



NOTES:

1. WATERPROOF RATE: IP67
2. RATING: 30V 1A
3. SPECIFICATIONS:SEE "USB SERIES SPECIFICATIONS".
4. TO CONFORM TO SINGATRON HAZARDOUS SUBSTANCE FREE SPEC.
5. GREEN PRODUCT IDENTIFICATION LABEL ON PACKAGING:
6. FOR PANEL THICKNESS MAX.:3.5mm



NO	DESCRIPTION	QTY	MATERIAL	PLATING & COLOR
N	USB PLUG	1	USB2.0 PLUG	N/A
M	OVER MOLD	1	PVC	BLACK
L	INNER MOLD	1	PE	NATURAL
K	SHRINK TUBE	1	Ø1*15	BLACK
J	SHRINK TUBE	1	Ø5*15	BLACK
I	CABLE	1	USB2.0 28#*1P+24#*2C+ADB,UV Resistant	BLACK (PVC JACKET)
H	USB A JACK	1	P/N:2UB1518-000111	N/A
G	HOUSING	1	PPE	BLACK
F	SCREW NUT	1	PPE	BLACK
E	GASKET	1	EPDM	BLACK
D	SEALING NUT	1	PPE	BLACK
C	THERMAL GLUE	1	N/A	NATURAL
B	O-RING	1	EPDM	BLACK
A	PCB	1	FR-4	GREEN

UNLESS OTHERWISE SPECIFIED TOLERANCES

DECIMALS:	ANGLES:
X :±0.5	X :±2°
XX :±0.3	XX :±1°
XXX :±0.2	

TITLE WATERPROOF USB2.0 JACK TO USB PLUG  
DWG LLY PART NO.2UB3001-W05105  
CHKD Harten SCALE 1:1 UNIT: mm  
APVD Steve SIZE: A3 SHEET:1 OF 1 REV: D

Singatron Enterprise Co., Ltd.  
信音企業股份有限公司

CUSTOMER COPY