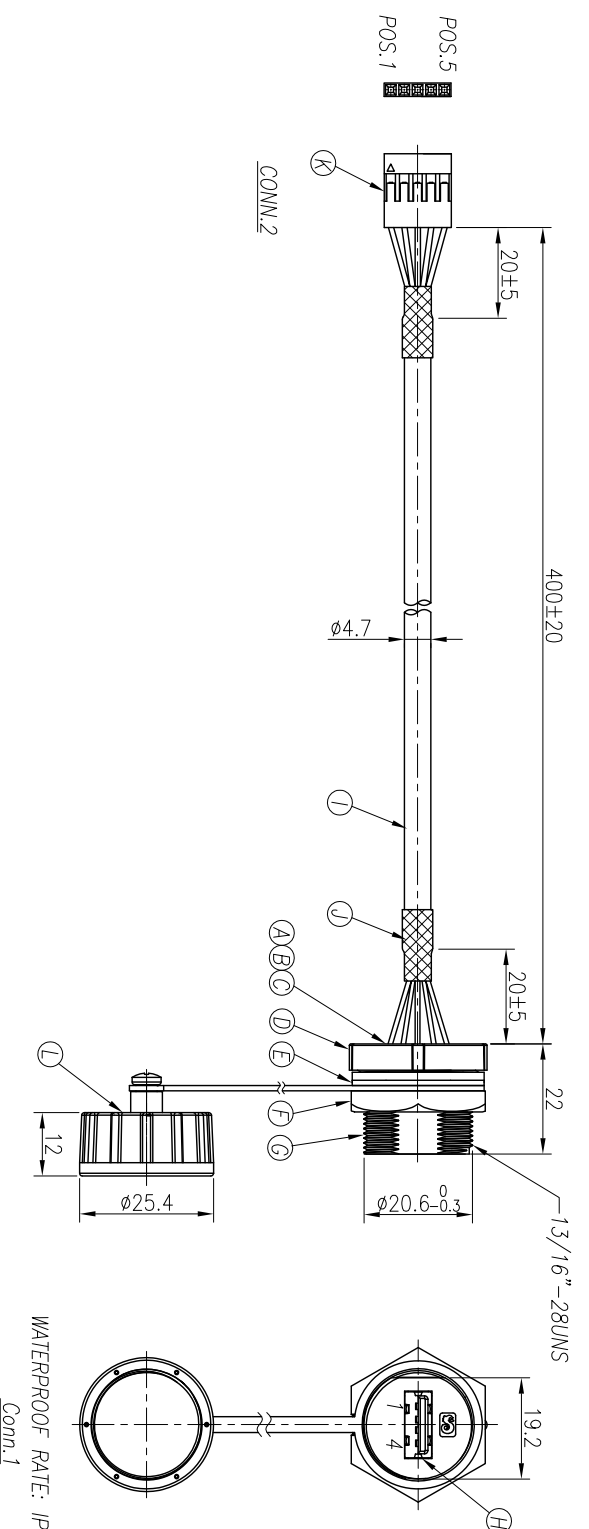
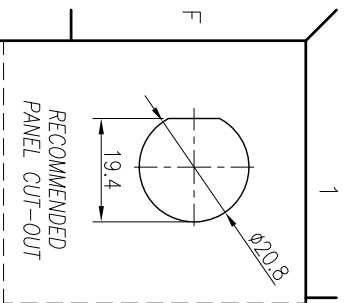
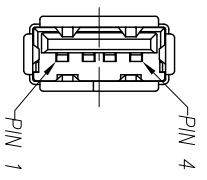


REV.	ECN NO OR DESCRIPTION	REVISED	DATE
A	PDR NO.:S101221-6B	Glen	2011.06.14



5	DRAIN	SHIELD
4	BLACK (24AWG)	4
3	GREEN (28AWG)	3
2	WHITE (28AWG)	2
1	RED (24AWG)	1
CONN.2 WIRE COLOR		CONN.1

Twist



Pin Assignments  
Front View

- NOTES:
1. WATERPROOF RATE: IP67
  2. RATING: 30V 1A
  3. SPECIFICATIONS: SEE "USB SERIES SPECIFICATIONS".
  4. TO CONFORM TO SINGATRON HAZARDOUS SUBSTANCE FREE SPEC.
  5. GREEN PRODUCT IDENTIFICATION LABEL ON PACKAGING: **G.P. PASS**
  6. FOR PANEL THICKNESS MAX: 2.5mm



L	WATERPROOF CAP	1	P/N: 2UB3001-W0000W	N/A
K	CONNECTOR	5	TER: PHOSPHOR BRONZE	TIN-PLATED
J	SHRINK TUBE	1	HSG: PPO UL94V-0	BLACK
I	CABLE	1	USB2.0 28#*1P+24#*2C+ADB, UV Resistant	BLACK PVC JACKET
H	USB A JACK	1	P/N: 2UB1518-000111	N/A
G	HOUSING	1	PPE 540Z	BLACK
F	SCREW NUT	1	PPE 540Z	BLACK
E	GASKET	1	EPDM	BLACK
D	SEALING NUT	1	PPE 540Z	BLACK
C	THERMAL GLUE	1	N/A	NATURAL
B	O-RING	1	EPDM	BLACK
A	PCB	1	FR-4	GREEN
NO	DESCRIPTION	QTY	MATERIAL	PLATING & COLOR
UNLESS OTHERWISE SPECIFIED TOLERANCES				
 Singaton Enterprise Co., Ltd. 信晉企業股份有限公司				
DECIMALS:		ANGLES:		
X	:±0.5	X	:±2°	
X.X	:±0.3	X.X	:±1°	
X.XX	:±0.2			
TITLE		WATERPROOF USB2.0 JACK		
DWN	Glen	PART NO. 2UB3001-W05110		
CHKD	Steve	SCALE 1:1	UNIT: mm	
APVD	Quan	SIZE: A3	SHEET: 1 OF 1	REV: A
CUSTOMER COPY				