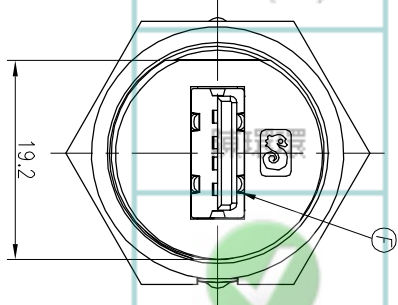
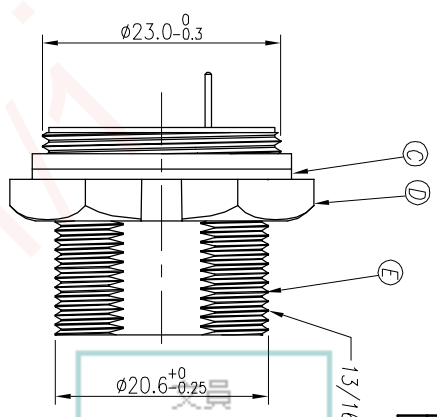
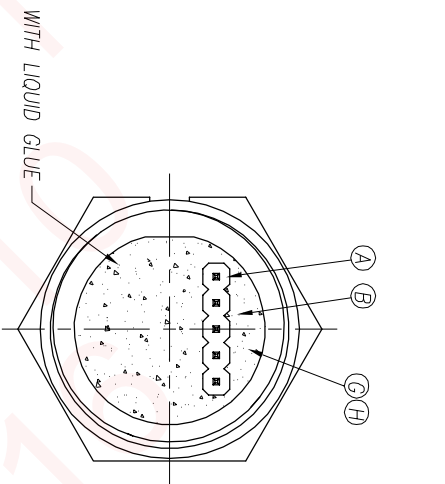
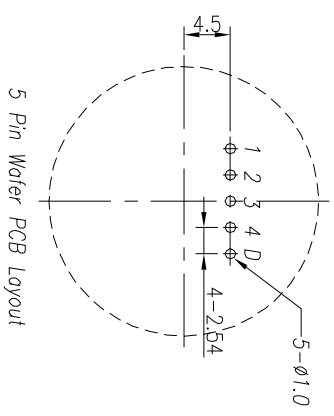
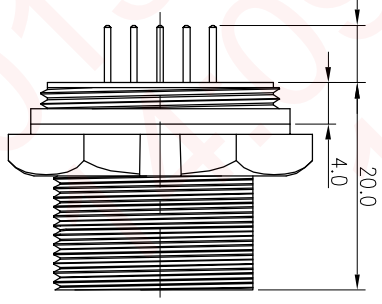
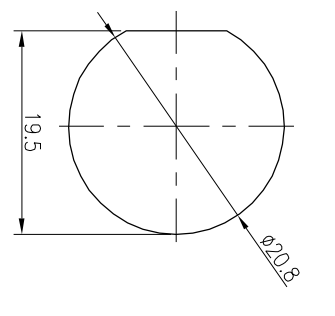
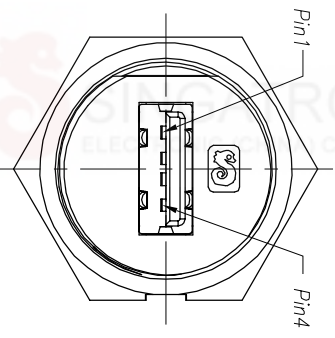


REV	ECN NO	OR DESCRIPTION	REVISED	DATE
A	PDR NO.:S110222-4A		Glen	2011.05.25
B	ECN NO.:S150807-R		Vicky	2015.09.07



- NOTES:
1. WATERPROOF RATE: IP67
IP67: IMMERSED IN 1M WATER FOR 30 MINUTES
 2. ELECTRICAL CHARACTERISTICS:
 - 1-1. RATING:30V 1A
 - 1-2. CONTACT RESISTANCE: 30mΩ MAX.(INITIAL)
 - 1-3. DIELECTRIC WITHSTANDING VOLTAGE: 500V AC FOR ONE MINUTE
 - 1-4. INSULATION RESISTANCE: 100MΩ MIN. MEASURED BY 500 VDC
 3. OTHER GENERAL SPEC. TO REFER "2UB1518 SERIES SPEC."
 4. INSERTION FORCE: 3.5KGF MAX.
WITHDRAW FORCE: 0.5KGF MIN.
 5. TO CONFORM TO SINGATRON HAZARDOUS SUBSTANCE FREE SPEC.
 6. GREEN PRODUCT IDENTIFICATION LABEL ON PACKAGING: **G.P. PASS**
 7. FOR PANEL THICKNESS MAX OF 4.0mm



NO	DESCRIPTION	QTY	MATERIAL	PLATING & COLOR
A	WAFER	1	5PIN 2.54PITCH	BLACK
B	PCB	1	FR-4	GREEN
C	GASKET	1	EPDM	BLACK
D	SCREW NUT	1	PA66	BLACK
E	HOUSING	1	PC	BLACK
F	USB CONN.	1	USB A RECEPTACLE	N/A
G	LIQUID GLUE	1	N/A	BLACK
H	UV GLUE	1	N/A	NATURAL

UNLESS OTHERWISE SPECIFIED TOLERANCES

DECIMALS:	ANGLES:
X :±0.5	X :±2°
X.X :±0.3	X.X :±1°
X.XX :±0.2	

TITLE	WATERPROOF USB 2.0 JACK
DWN	Vicky
CHKD	Horlen
APVD	Steve

PART NO. 2UB3001-W05113H
SCALE 2:1 UNIT: mm
SIZE: A3 SHEET: 1 OF 1 REV: B
CUSTOMER COPY

Singatron Enterprise Co., Ltd.
信譽企業股份有限公司

