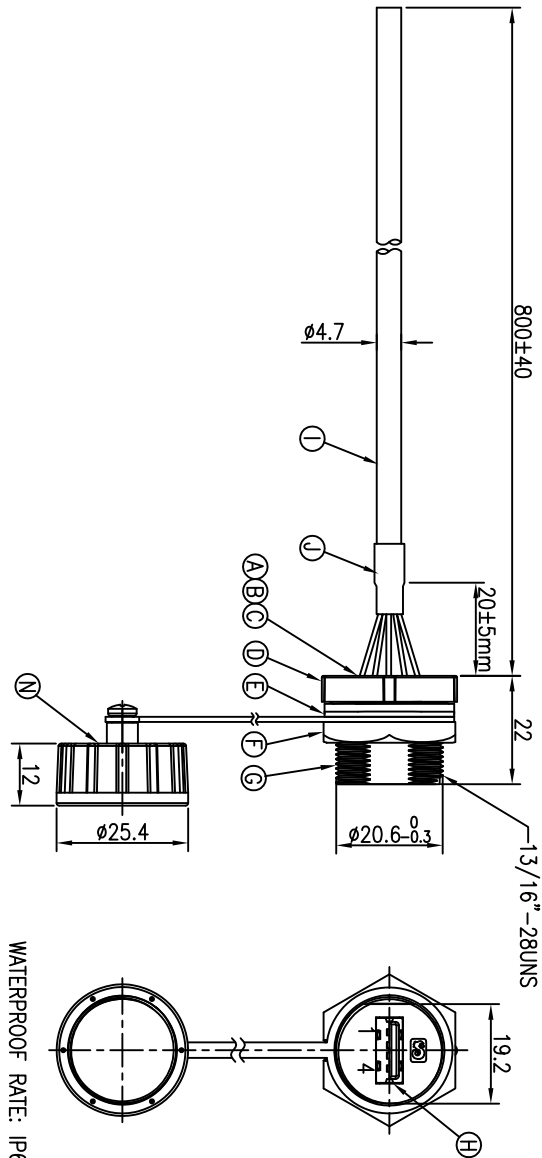
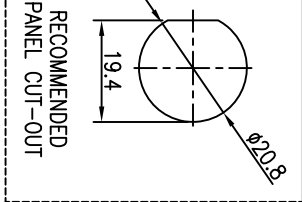
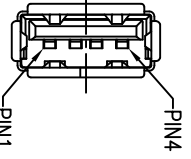


REV.	ECN NO.	OR DESCRIPTION	REVISED	DATE
A	PDR NO.S110921-5A		LILY	2011.11.03



SHIELD	DRAIN
4	BLACK(24AWG)
3	GREEN(28AWG)
2	WHITE (28AWG)
1	RED (24AWG)
CONN.1	WIRE COLOR
PIN OUT	
CONN.1	



Pin Assignments  
Front View

NOTES:

1. WATERPROOF RATE: IP67
2. RATING: 30V 1A
3. SPECIFICATIONS:SEE "USB SERIES SPECIFICATIONS".
4. TO CONFORM TO SINGATRON HAZARDOUS SUBSTANCE FREE SPEC.
5. GREEN PRODUCT IDENTIFICATION LABEL ON PACKAGING:
6. FOR PANEL THICKNESS MAX:2.5mm

N	WATERPROOF CAP	1	P/N:2UB3001-W0000W	N/A
J	SHRINK TUBE	1	Ø5*15	BLACK
I	CABLE	1	USB2.0 28#*1P+24# *2C+ADB,UV Resistant	BLACK PVC JACKET
H	USB A JACK	1	P/N:2UB1518-000111	N/A
G	HOUSING	1	PPE 540Z	BLACK
F	SCREW NUT	1	PPE 540Z	BLACK
E	GASKET	1	EPDM	BLACK
D	SEALING NUT	1	PPE 540Z	BLACK
C	THERMAL GLUE	1		NATURAL
B	O-RING	1	EPDM	BLACK
A	PCB	1	FR-4	GREEN
NO	DESCRIPTION	QTY	MATERIAL	PLATING & COLOR

UNLESS OTHERWISE SPECIFIED TOLERANCES

DECIMALS: ANGLES: TITLE WATERPROOF USB2.0 JACK

X :±0.5 X :±2°  
X.X :±0.3 X.X :±1°  
X.XX :±0.2

Singatron Enterprise Co., Ltd.  
信登企業股份有限公司

PART NO.2UB3001-W05116H

SCALE 1:1 UNIT: mm

SIZE: A3 SHEET: 1 OF 1 REV: A

CUSTOMER COPY