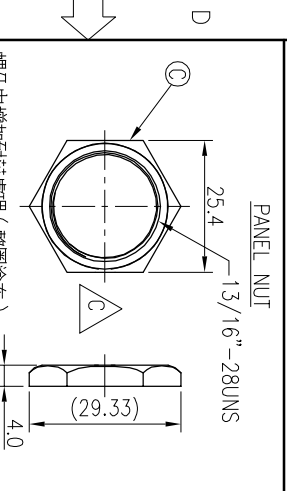
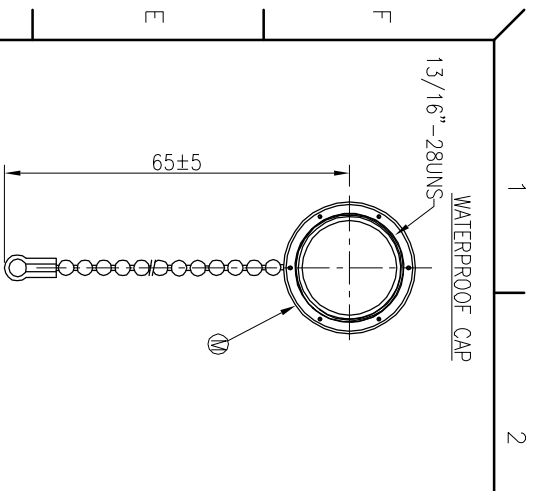
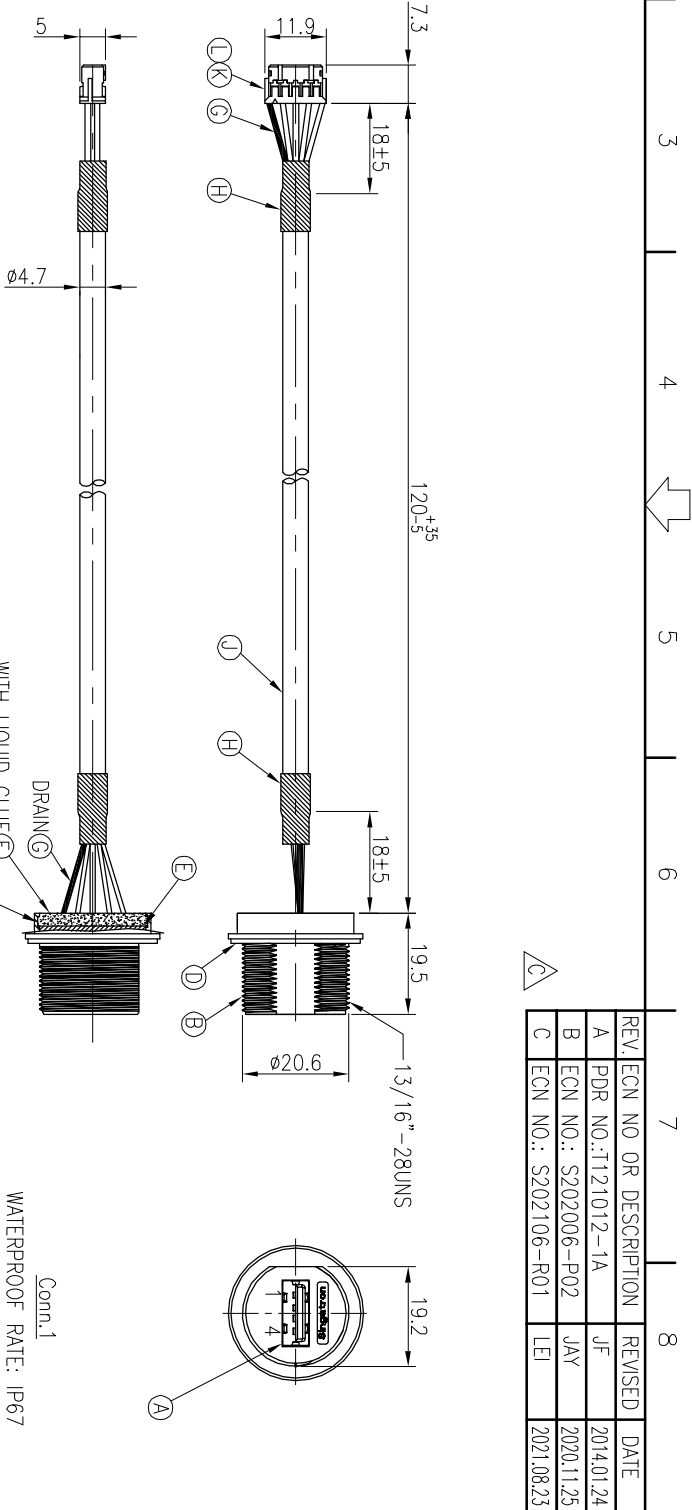
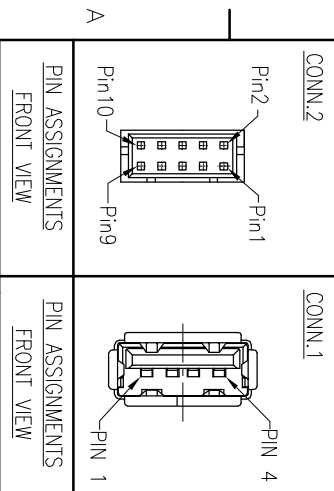


REV	ECN NO	OR DESCRIPTION	REVISED	DATE
A	PDR NO.:T121012-1A	JF		2014.01.24
B	ECN NO.: S202006-P02	JAY		2020.11.25
C	ECN NO.: S202106-R01	LEI		2021.08.23

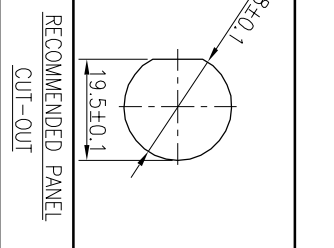


螺牙內增加耐漆處理 (整圈塗布)
耐漆膠規格:T-40 COLOR:BLUE

9	DRAIN	SHIELD
7	BLACK(24AWG)	4
5	GREEN(28AWG)	3
3	WHITE(28AWG)	2
1	RED(24AWG)	1
CONN.2 WIRE COLOR		CONN.1
PIN OUT		
CONN.2		CONN.1



- NOTES:
1. WATERPROOF RATE: IP67
 2. RATING: 30V 1A
 3. OPERATING TEMPERATURE: -40°C TO +95°C (PANEL).
 4. SPECIFICATIONS:SEE "USB SERIES SPECIFICATIONS".
 5. TO CONFORM TO SINGATRON HAZARDOUS SUBSTANCE FREE SPEC.
 6. GREEN PRODUCT IDENTIFICATION LABEL ON PACKAGING: **G.P. PASS**
 7. FOR PANEL THICKNESS MAX:4.0mm
 8. DEFINE PIN ASSIGNMENT BY CUSTOMER REQUIREMENT



MATERIAL	QTY	DESCRIPTION	PLATING & COLOR
M	1	WATERPROOF CAP	N/A
L	5	TERMINAL	TIN-PLATED
K	1	HOUSING	WHITE
J	1	CABLE	USB2.0 28#*1P+2#*2C+ADB,UV Resistant
H	2	HEAT SHRINK TUBE	BLACK PVC JACKET
G	2	HEAT SHRINK TUBE	BLACK
F	1	LIQUID GLUE	BLACK
E	1	PCB	FR-4 GREEN
D	1	GASKET	SILICONE SHORE A 70' BLACK
C	1	PANEL NUT	BRASS C3604 120# NICKEL PLATED
B	1	BODY	ZINC ALLOY 120# NICKEL PLATED
A	1	USB A JACK	STAINLESS STEEL N/A

TITLE	DECIMALS:	ANGLES:	UNLESS OTHERWISE SPECIFIED TOLERANCES
DWN	:±0.5	X :±2'	
CHKD	:±0.3	X.X :±1'	
APVD	X.XX :±0.2		

蘇州信音汽車電子有限公司
Suzhou Singatron Auto Electronics CO.,LTD.

蘇州信音汽車電子有限公司
Suzhou Singatron Auto Electronics CO.,LTD.

WATERPROOF USB JACK TO CONNECTOR

PART NO.2UB3001-W05131H

SCALE 1:1 UNIT: mm

SIZE: A3 SHEET: 1 OF 1 REV: C

CUSTOMER COPY