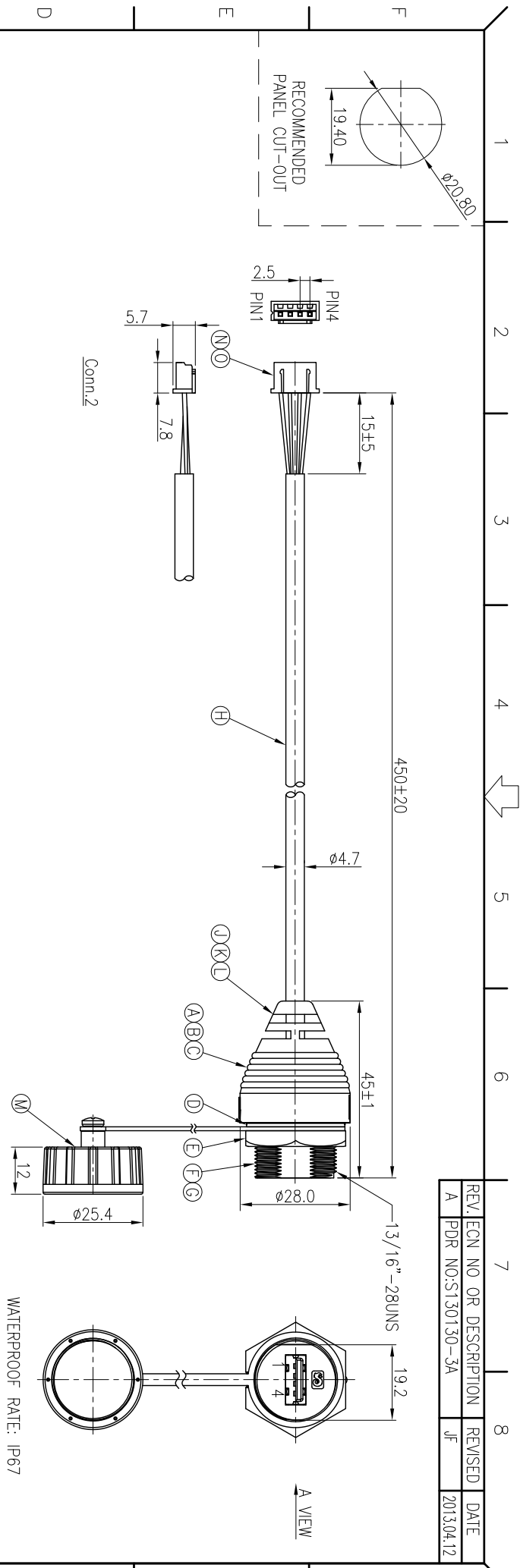


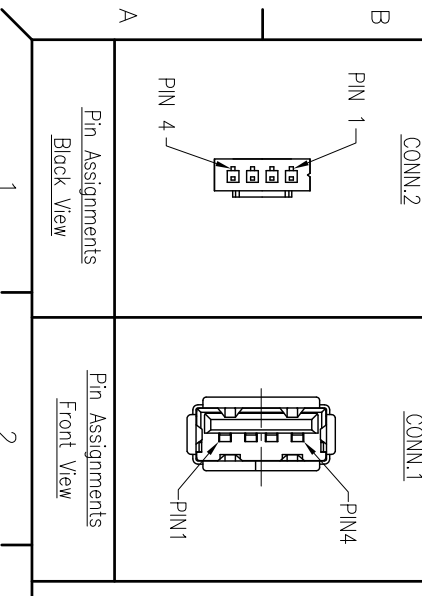
REV:	ECN NO OR DESCRIPTION	REVISED	DATE
A	PDR NO:S130130-3A	JF	2013.04.12



4	BLACK(24AWG)	4	
3	GREEN(28AWG)	3	
2	WHITE (28AWG)	2	
1	RED (24AWG)	1	
CONN.2 WIRE COLOR		CONN.1	
PIN OUT			
CONN.2		CONN.1	
PIN 1			
PIN 4			

O	TERMINAL	4	BRASS	TIN-PLAIED
N	HOUSING	1	NYLON 66 UL94V-0	WHITE
M	WATERPROOF CAP	1	P/N:2UB3001-W0000W	N/A
L	HEAT SHRINK TUBE	4	Ø1.0 125°C 300V L:10	BLACK
K	INNER MOLD	1	LD-PE	NATURAL
J	OVER MOLD	1	TPU	BLACK
H	CABLE	1	28#*1P+24#*2C+ADB UV Resistant OD=4.7	BLACK(PVC JACKET)
G	USB A JACK	1	P/N:2UB1518-000111	WHITE PLASTIC
F	BODY	1	PPE	BLACK
E	PANEL NUT	1	PPE	BLACK
D	GASKET	1	EPDM	BLACK
C	SEALING NUT	1	PPE	BLACK
B	O-RING	1	EPDM	BLACK
A	PCB	1	FR-4	GREEN

UNLESS OTHERWISE SPECIFIED TOLERANCES	信晉企業股份有限公司	
TITLE	WATERPROOF USB2.0 JACK	
DMW	JF	PART NO.2UB3001-W05136H
CHKD	Harten	SCALE 1:1 UNIT: mm
APVD	Steve	SIZE: A3 SHEET:1 OF 1 REV: A



NOTES:

1. WATERPROOF RATE: IP67
2. RATING: 30V 1A
3. SPECIFICATIONS:SEE "USB SERIES SPECIFICATIONS".
4. TO CONFORM TO SINGATRON HAZARDOUS SUBSTANCE FREE SPEC.
5. GREEN PRODUCT IDENTIFICATION LABEL ON PACKAGING:
6. FOR PANEL THICKNESS MAX:2.5mm

WATERPROOF RATE: IP67 WATERPROOF RATE: IP67 Conn.1	
--	--