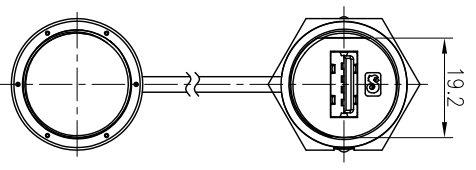
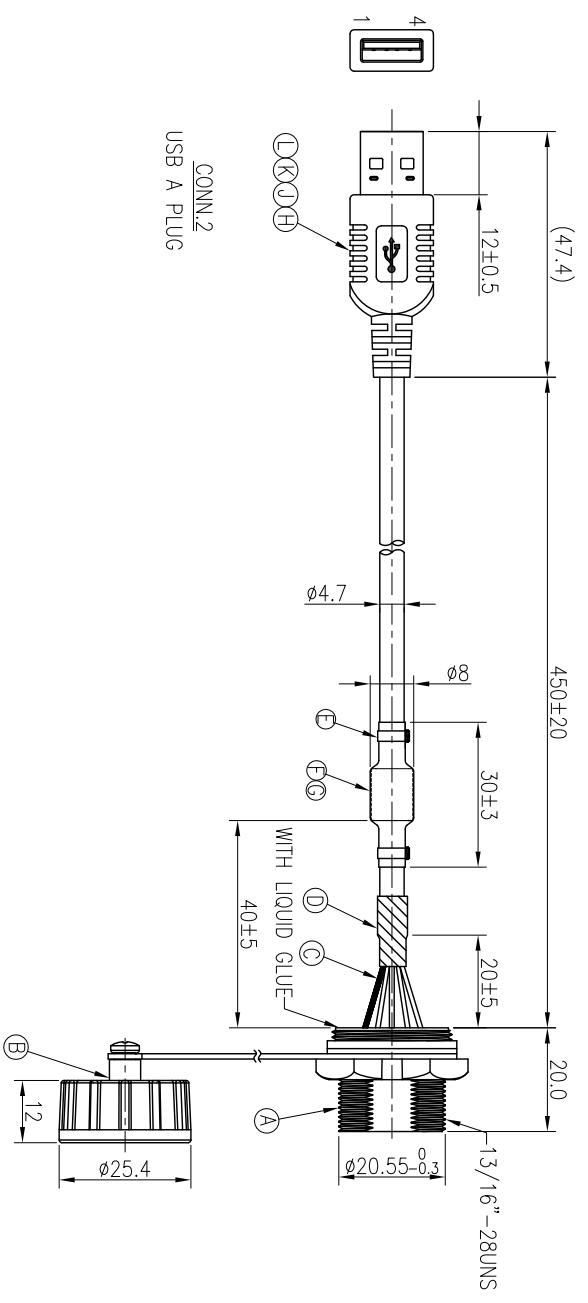
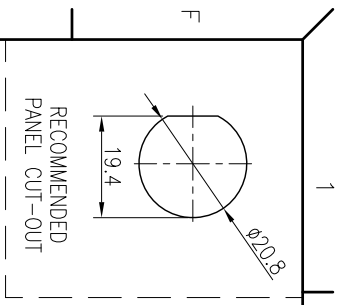


| REV. | ECN NO OR DESCRIPTION | REVISED | DATE |
|------|-----------------------|---------|------------|
| A | PDR NO:S130822-4A | JF | 2013.11.11 |



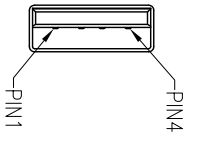
Conn.1

| SHIELD | DRAIN | SHIELD |
|-------------------|---------------|--------|
| 4 | BLACK(24AWG) | 4 |
| 3 | GREEN(28AWG) | 3 |
| 2 | WHITE (28AWG) | 2 |
| 1 | RED (24AWG) | 1 |
| CONN.2 WIRE COLOR | | CONN.1 |
| PIN OUT | | |

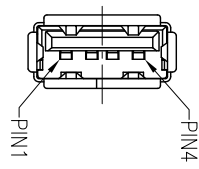
Twist

CONN.2

CONN.1



Pin Assignments
Front View



Pin Assignments
Front View

NOTES:

1. WATERPROOF RATE: IP67
2. RATING: 30V 1A
3. SPECIFICATIONS:SEE "USB SERIES SPECIFICATIONS".
4. TO CONFORM TO SINGATRON HAZARDOUS SUBSTANCE FREE SPEC.
5. GREEN PRODUCT IDENTIFICATION LABEL ON PACKAGING:
6. FOR PANEL THICKNESS MAX.:3.5mm

WATERPROOF RATE: IP67

| L | HEAR SHRINK TUBE | 1 | φ1 300V 125° | BLACK |
|----|------------------|-----|---------------------|-----------------|
| K | USB PLUG | 1 | USB2.0 PLUG | N/A |
| J | INNER MOLD | 1 | LD-PE | N/A |
| H | OVER MOLD | 1 | PVC | BLACK |
| G | HEAR SHRINK TUBE | 1 | φ8.0 L=20 300V 125° | BLACK |
| F | CORE | 1 | OD=8 ID=6 L=10 | BLACK |
| E | CABLE TIES | 2 | NYLON L=75*2.4W | BLACK |
| D | HEAR SHRINK TUBE | 1 | φ5*1.5 | BLACK |
| C | HEAR SHRINK TUBE | 1 | φ1*1.5 | BLACK |
| B | WATERPROOF CAP | 1 | P/N:2UB3001-W0000W | N/A |
| A | WATERPROOF CONN | 1 | P/N:2UB3001-W05113H | N/A |
| NO | DESCRIPTION | QTY | MATERIAL | PLATING & COLOR |

UNLESS OTHERWISE SPECIFIED TOLERANCES

Singatron Enterprise Co., Ltd.
信益企業股份有限公司

TITLE WATERPROOF USB2.0 JACK TO USB PLUG

DMW JF PART NO.2UB3001-W05145H

CHKD Harlen SCALE 1:1 UNIT: mm

APVD Quon SIZE: A3 SHEET:1 OF 1 REV: A

CUSTOMER COPY